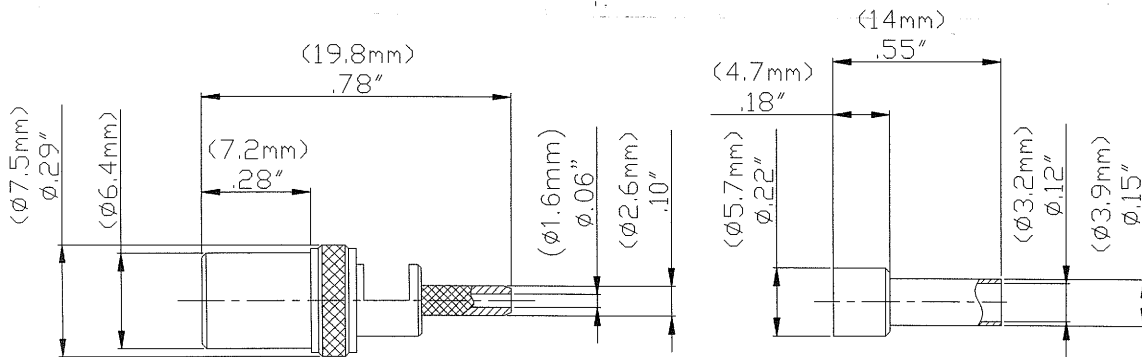


MUELLER®

MODEL: BU-P72981

SMB Plug Crimp Installation



Can be used with RG174, 188, 316

MATERIALS:

Body – Gold Plated Brass

Contacts – Gold plated Beryllium Copper

Insulator – PTFE

RATING:

Voltage: Hands free testing to 250VRMS Max.

Temperature: -50°C to 170°C

Frequency: 0 to 3 GHz

Impedance: 50 Ohms