

The S-25C320A/640A is a SPI serial E²PROM which operates at high speed, with low current consumption and the wide range operation. The S-25C320A/640A has the capacity of 32 K-bit and 64 K-bit, and the organization is 4096 words × 8-bit, 8192 words × 8-bit. Page write and sequential read are available.

■ Features

- Operating voltage range Read: 1.6 V to 5.5 V
 Write: 1.7 V to 5.5 V
- Operation frequency 5.0 MHz ($V_{CC} = 2.5 \text{ V to } 5.5 \text{ V}$)
- Write time: 5.0 ms max.
- SPI mode (0, 0) and (1, 1)
- Page write: 32 bytes / page
- Sequential read
- Write protect: Software, Hardware
 Protect area: 25%, 50%, 100%
- Monitors Write to the memory by a status register
- Function to prevent malfunction by monitoring clock pulse
- Write protect function during the low power supply
- CMOS schmitt input (\overline{CS} , \overline{SCK} , \overline{SI} , \overline{WP} , \overline{HOLD})
- Endurance: 10^6 cycles / word^{*1} ($T_a = +25^\circ\text{C}$)
- Data retention: 100 years ($T_a = +25^\circ\text{C}$)
- Memory capacity: S-25C320A 32 K-bit
 S-25C640A 64 K-bit
- Initial shipment data: FFh, SRWD = 0, BP1 = 0, BP0 = 0
- Lead-free (Sn 100%), halogen-free^{*2}

*1. For each address (Word: 8-bit)

*2. Refer to "■ Product Name Structure" for details.

■ Packages

- 8-Pin SOP (JEDEC)
- 8-Pin TSSOP
- TMSOP-8
- SNT-8A

Caution This product is intended to use in general electronic devices such as consumer electronics, office equipment, and communications devices. Before using the product in medical equipment or automobile equipment including car audio, keyless entry and engine control unit, contact to SII is indispensable.

Pin Configurations

1. 8-Pin SOP (JEDEC)

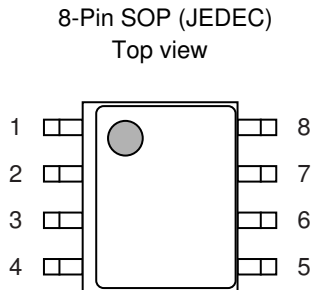


Figure 1

S-25C320A0I-J8T1U3
S-25C640A0I-J8T1U3

Table 1

| Pin No. | Symbol | Description |
|---------|------------------------|---------------------|
| 1 | \overline{CS}^{*1} | Chip select input |
| 2 | SO | Serial data output |
| 3 | \overline{WP}^{*1} | Write protect input |
| 4 | GND | Ground |
| 5 | SI ^{*1} | Serial data input |
| 6 | SCK ^{*1} | Serial clock input |
| 7 | \overline{HOLD}^{*1} | Hold input |
| 8 | VCC | Power supply |

*1. Do not use it in high impedance.

2. 8-Pin TSSOP

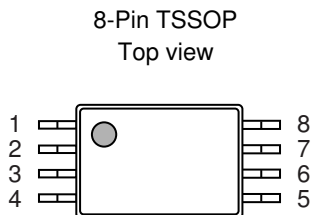


Figure 2

S-25C320A0I-T8T1U3
S-25C640A0I-T8T1U3

Table 2

| Pin No. | Symbol | Description |
|---------|------------------------|---------------------|
| 1 | \overline{CS}^{*1} | Chip select input |
| 2 | SO | Serial data output |
| 3 | \overline{WP}^{*1} | Write protect input |
| 4 | GND | Ground |
| 5 | SI ^{*1} | Serial data input |
| 6 | SCK ^{*1} | Serial clock input |
| 7 | \overline{HOLD}^{*1} | Hold input |
| 8 | VCC | Power supply |

*1. Do not use it in high impedance.

3. TMSOP-8

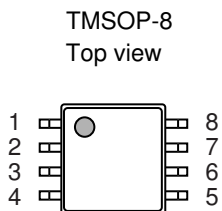


Figure 3

S-25C320A0I-K8T3U3
S-25C640A0I-K8T3U3

Table 3

| Pin No. | Symbol | Description |
|---------|------------------------|---------------------|
| 1 | \overline{CS}^{*1} | Chip select input |
| 2 | SO | Serial data output |
| 3 | \overline{WP}^{*1} | Write protect input |
| 4 | GND | Ground |
| 5 | SI ^{*1} | Serial data input |
| 6 | SCK ^{*1} | Serial clock input |
| 7 | \overline{HOLD}^{*1} | Hold input |
| 8 | VCC | Power supply |

*1. Do not use it in high impedance.

4. SNT-8A

SNT-8A
Top view

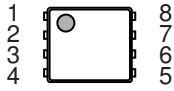


Figure 4

S-25C320A0I-I8T1U3

Table 4

| Pin No. | Symbol | Description |
|---------|------------------------|---------------------|
| 1 | \overline{CS}^{*1} | Chip select input |
| 2 | SO | Serial data output |
| 3 | \overline{WP}^{*1} | Write protect input |
| 4 | GND | Ground |
| 5 | SI ^{*1} | Serial data input |
| 6 | SCK ^{*1} | Serial clock input |
| 7 | \overline{HOLD}^{*1} | Hold input |
| 8 | VCC | Power supply |

*1. Do not use it in high impedance.

Remark Refer to the "Package drawings" for the details.

■ Absolute Maximum Ratings

Table 5

| Item | Symbol | Absolute Maximum Rating | Unit |
|-------------------------------|------------------|-------------------------------|------|
| Power supply voltage | V _{CC} | -0.3 to +6.5 | V |
| Input voltage | V _{IN} | -0.3 to +6.5 | V |
| Output voltage | V _{OUT} | -0.3 to V _{CC} + 0.3 | V |
| Operation ambient temperature | T _{opr} | -40 to +85 | °C |
| Storage temperature | T _{stg} | -65 to +150 | °C |

Caution The absolute maximum ratings are rated values exceeding which the product could suffer physical damage. These values must therefore not be exceeded under any conditions.

■ Recommended Operating Conditions

Table 6

| Item | Symbol | Condition | Ta = -40 °C to +85 °C | | Unit |
|--------------------------|-----------------|----------------------------------|-----------------------|-----------------------|------|
| | | | Min. | Max. | |
| Power supply voltage | V _{CC} | Read Operation | 1.6 | 5.5 | V |
| | | Write Operation | 1.7 | 5.5 | V |
| High level input voltage | V _{IH} | V _{CC} = 1.6 V to 5.5 V | 0.7 × V _{CC} | V _{CC} + 1.0 | V |
| Low level input voltage | V _{IL} | V _{CC} = 1.6 V to 5.5 V | -0.3 | 0.3 × V _{CC} | V |

■ Pin Capacitance

Table 7

(Ta = +25 °C, f = 1.0 MHz, V_{CC} = 5.0 V)

| Item | Symbol | Condition | Min. | Max. | Unit |
|--------------------|------------------|---|------|------|------|
| Input capacitance | C _{IN} | V _{IN} = 0 V (CS̄, SCK, SI, WP̄, HOLD) | - | 8 | pF |
| Output capacitance | C _{OUT} | V _{OUT} = 0 V (SO) | - | 10 | pF |

■ Endurance

Table 8

| Item | Symbol | Operation Ambient Temperature | Min. | Max. | Unit |
|-----------|----------------|-------------------------------|-----------------|------|-----------------------------|
| Endurance | N _w | Ta = +25 °C | 10 ⁶ | - | cycles / word ^{*1} |

*1. For each address (Word: 8-bit)

■ Data Retention

Table 9

| Item | Symbol | Operation Ambient Temperature | Min. | Max. | Unit |
|----------------|--------|-------------------------------|------|------|------|
| Data retention | - | Ta = +25 °C | 100 | - | year |

■ DC Electrical Characteristics

Table 10

| Item | Symbol | Condition | Ta = -40°C to +85°C | | | | | | Unit |
|----------------------------|------------------|-------------------|----------------------------------|------|----------------------------------|------|----------------------------------|-----|------|
| | | | V _{CC} = 1.6 V to 2.5 V | | V _{CC} = 2.5 V to 4.5 V | | V _{CC} = 4.5 V to 5.5 V | | |
| | | | f _{SCK} = 2.0 MHz | | f _{SCK} = 5.0 MHz | | f _{SCK} = 5.0 MHz | | |
| Min. | Max. | Min. | Max. | Min. | Max. | Min. | Max. | | |
| Current consumption (READ) | I _{CC1} | No load at SO pin | - | 1.5 | - | 2.0 | - | 2.5 | mA |

Table 11

| Item | Symbol | Condition | Ta = -40°C to +85°C | | | | | | Unit |
|-----------------------------|------------------|-------------------|----------------------------------|------|----------------------------------|------|----------------------------------|-----|------|
| | | | V _{CC} = 1.7 V to 2.5 V | | V _{CC} = 2.5 V to 4.5 V | | V _{CC} = 4.5 V to 5.5 V | | |
| | | | f _{SCK} = 2.0 MHz | | f _{SCK} = 5.0 MHz | | f _{SCK} = 5.0 MHz | | |
| Min. | Max. | Min. | Max. | Min. | Max. | Min. | Max. | | |
| Current consumption (WRITE) | I _{CC2} | No load at SO pin | - | 4.0 | - | 4.0 | - | 4.0 | mA |

Table 12

| Item | Symbol | Condition | Ta = -40°C to +85°C | | | | | | Unit |
|-----------------------------|------------------|--|----------------------------------|------|----------------------------------|------|----------------------------------|------|------|
| | | | V _{CC} = 1.6 V to 2.5 V | | V _{CC} = 2.5 V to 4.5 V | | V _{CC} = 4.5 V to 5.5 V | | |
| | | | Min. | Max. | Min. | Max. | Min. | Max. | |
| Standby current consumption | I _{SB} | $\overline{\text{CS}} = V_{CC}$, SO = Open Other inputs are V _{CC} or GND | - | 2.5 | - | 3.5 | - | 4.5 | μA |
| Input leakage current | I _{LI} | V _{IN} = GND to V _{CC} | - | 1.0 | - | 1.0 | - | 1.0 | μA |
| Output leakage current | I _{LO} | V _{OUT} = GND to V _{CC} | - | 1.0 | - | 1.0 | - | 1.0 | μA |
| Low level output voltage | V _{OL1} | I _{OL} = 2.0 mA | - | - | - | 0.4 | - | 0.4 | V |
| | V _{OL2} | I _{OL} = 1.5 mA | - | 0.4 | - | 0.4 | - | 0.4 | V |
| High level output voltage | V _{OH1} | I _{OH} = -2.0 mA | - | - | 0.8 × V _{CC} | - | 0.8 × V _{CC} | - | V |
| | V _{OH2} | I _{OH} = -0.4 mA | 0.8 × V _{CC} | - | 0.8 × V _{CC} | - | 0.8 × V _{CC} | - | V |

■ AC Electrical Characteristics

Table 13 Measurement Conditions

| | |
|--------------------------|--|
| Input pulse voltage | $0.2 \times V_{CC}$ to $0.8 \times V_{CC}$ |
| Output reference voltage | $0.5 \times V_{CC}$ |
| Output load | 100 pF |

Table 14

| Item | Symbol | Ta = -40°C to +85°C | | | | | | Unit |
|--|---------------------|----------------------------------|------|----------------------------------|------|----------------------------------|------|------|
| | | V _{CC} = 1.6 V to 2.5 V | | V _{CC} = 2.5 V to 4.5 V | | V _{CC} = 4.5 V to 5.5 V | | |
| | | Min. | Max. | Min. | Max. | Min. | Max. | |
| SCK clock frequency | f _{SCK} | – | 2.0 | – | 5.0 | – | 5.0 | MHz |
| CS setup time during CS falling | t _{CSS.CL} | 150 | – | 90 | – | 90 | – | ns |
| CS setup time during CS rising | t _{CSS.CH} | 150 | – | 90 | – | 90 | – | ns |
| CS deselect time | t _{CDS} | 200 | – | 90 | – | 90 | – | ns |
| CS hold time during CS falling | t _{CSH.CL} | 200 | – | 90 | – | 90 | – | ns |
| CS hold time during CS rising | t _{CSH.CH} | 150 | – | 90 | – | 90 | – | ns |
| SCK clock time “H” *1 | t _{HIGH} | 200 | – | 90 | – | 90 | – | ns |
| SCK clock time “L” *1 | t _{LOW} | 200 | – | 90 | – | 90 | – | ns |
| Rising time of SCK clock *2 | t _{RSK} | – | 1 | – | 1 | – | 1 | μs |
| Falling time of SCK clock *2 | t _{FSK} | – | 1 | – | 1 | – | 1 | μs |
| SI data input setup time | t _{DS} | 50 | – | 20 | – | 20 | – | ns |
| SI data input hold time | t _{DH} | 60 | – | 30 | – | 30 | – | ns |
| SCK “L” hold time during HOLD rising | t _{SKH.HH} | 150 | – | 70 | – | 70 | – | ns |
| SCK “L” hold time during HOLD falling | t _{SKH.HL} | 100 | – | 40 | – | 40 | – | ns |
| SCK “L” setup time during HOLD falling | t _{SKS.HL} | 0 | – | 0 | – | 0 | – | ns |
| SCK “L” setup time during HOLD rising | t _{SKS.HH} | 0 | – | 0 | – | 0 | – | ns |
| Disable time of SO output *2 | t _{OZ} | – | 200 | – | 100 | – | 100 | ns |
| Delay time of SO output | t _{OD} | – | 150 | – | 70 | – | 70 | ns |
| Hold time of SO output | t _{OH} | 0 | – | 0 | – | 0 | – | ns |
| Rising time of SO output *2 | t _{RO} | – | 100 | – | 40 | – | 40 | ns |
| Falling time of SO output *2 | t _{FO} | – | 100 | – | 40 | – | 40 | ns |
| Disable time of SO output during HOLD falling *2 | t _{OZ.HL} | – | 200 | – | 100 | – | 100 | ns |
| Delay time of SO output during HOLD rising *2 | t _{OD.HH} | – | 150 | – | 50 | – | 50 | ns |
| WP setup time | t _{WS1} | 0 | – | 0 | – | 0 | – | ns |
| WP hold time | t _{WH1} | 0 | – | 0 | – | 0 | – | ns |
| WP release / setup time | t _{WS2} | 0 | – | 0 | – | 0 | – | ns |
| WP release / hold time | t _{WH2} | 60 | – | 30 | – | 30 | – | ns |

*1. The clock cycle of the SCK clock (frequency f_{SCK}) is 1 / f_{SCK} μs. This clock cycle is determined by a combination of several AC characteristics. Note that the clock cycle cannot be set as (1 / f_{SCK}) = t_{LOW} (min.) + t_{HIGH} (min.) by minimizing the SCK clock cycle time.

*2. These are values of sample and not 100% tested.

Table 15

| Item | Symbol | Ta = -40°C to +85°C | | Unit |
|------------|-----------------|----------------------------------|------|------|
| | | V _{CC} = 1.7 V to 5.5 V | | |
| | | Min. | Max. | |
| Write time | t _{PR} | - | 5.0 | ms |

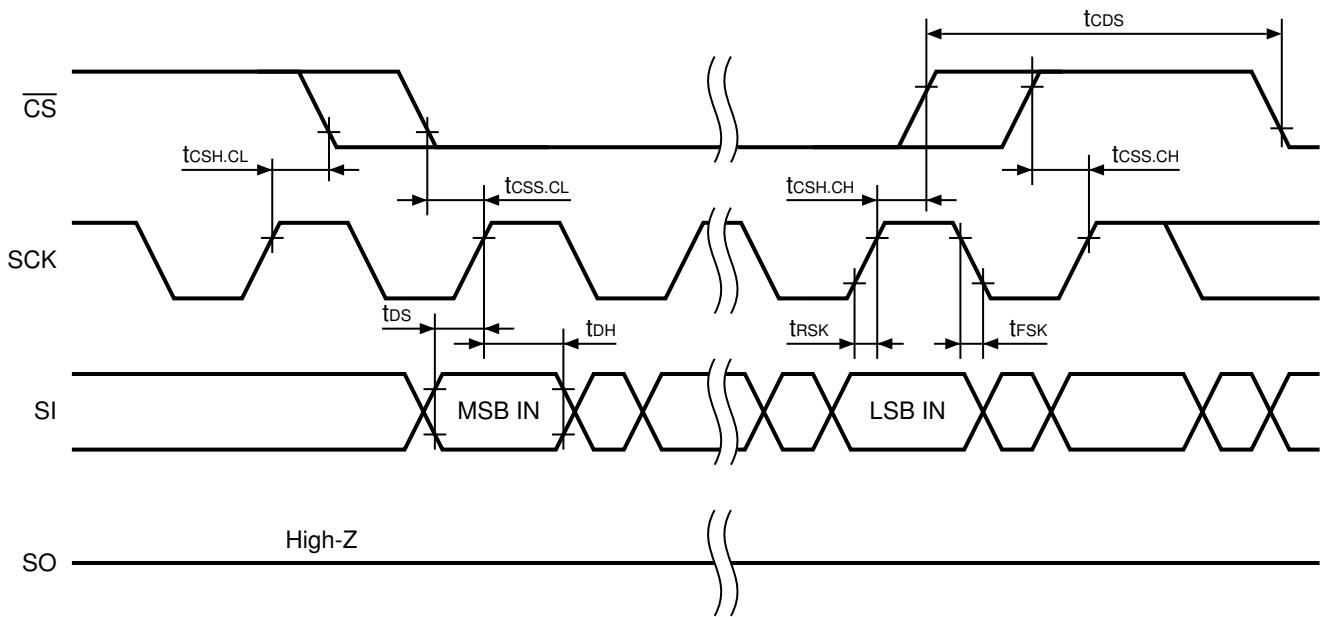


Figure 6 Serial Input Timing

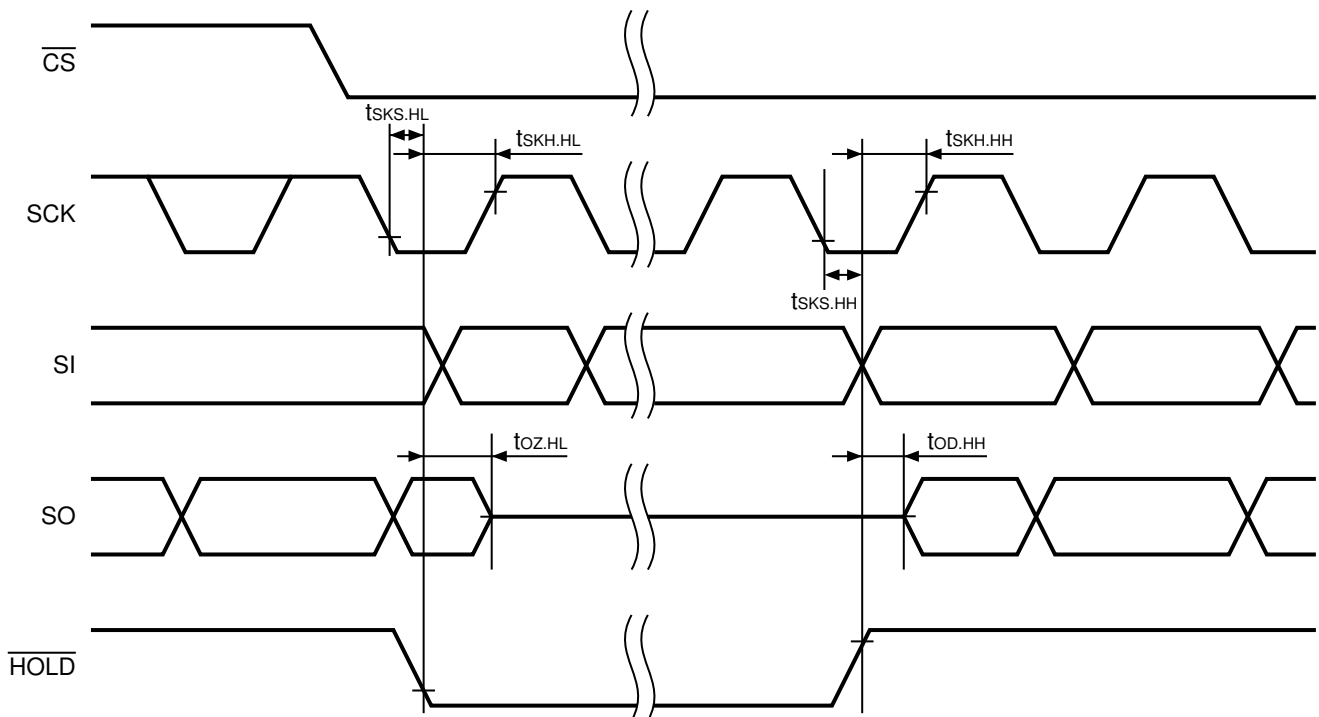


Figure 7 Hold Timing

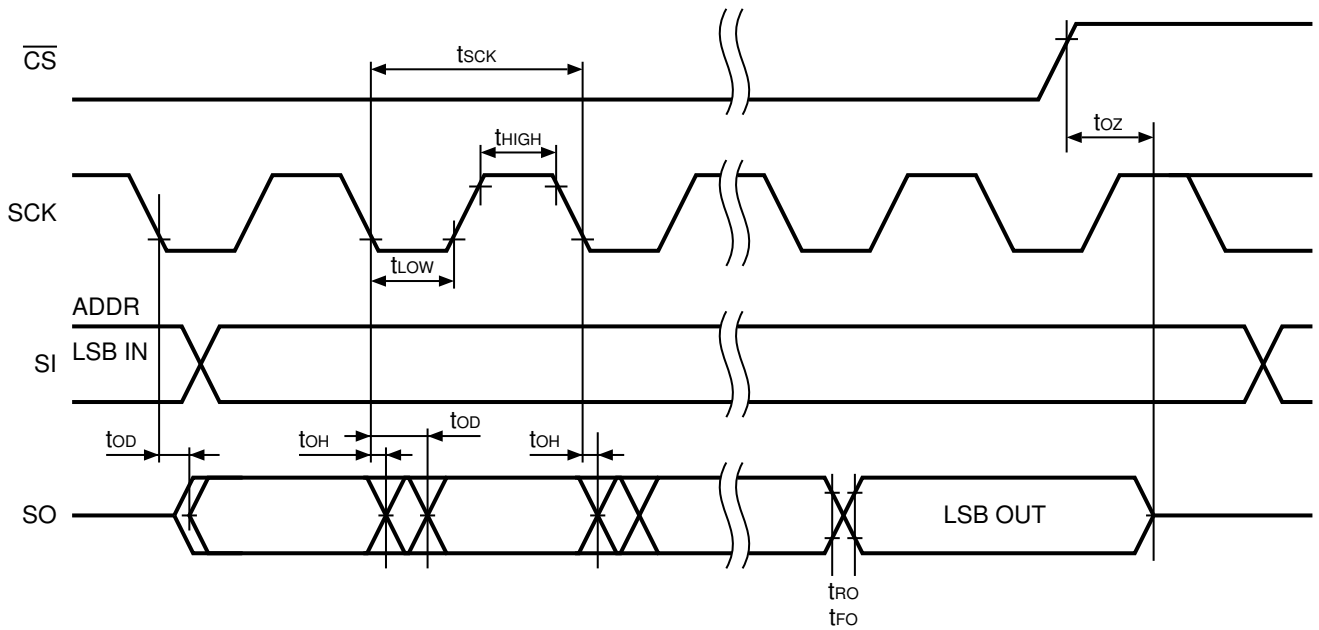


Figure 8 Serial Output Timing

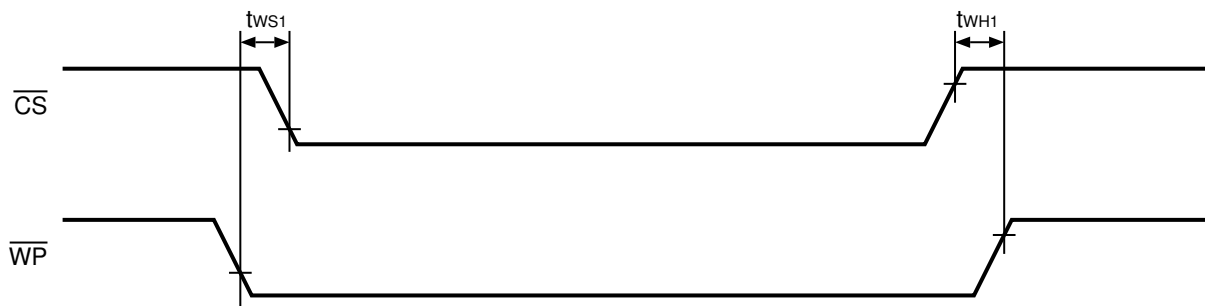


Figure 9 Valid Timing in Write Protect

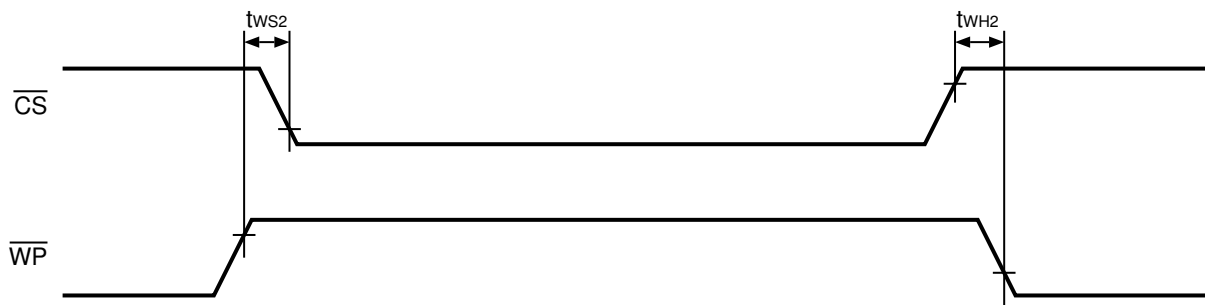


Figure 10 Invalid Timing in Write Protect

■ Pin Functions

1. $\overline{\text{CS}}$ (Chip select input) pin

This is an input pin to set a chip in the select status. In the “H” input level, the device is in the non-select status and its output is high impedance. The device is in standby as long as it is not in Write inside. The device goes in active by setting the chip select to “L”. Input any instruction code after power-on and a falling of chip select.

2. SI (Serial data input) pin

This pin is to input serial data. This pin receives an instruction code, an address and Write data. This pin latches data at rising edge of serial clock.

3. SO (Serial data output) pin

This pin is to output serial data. The data output changes according to falling edge of serial clock.

4. SCK (Serial clock input) pin

This is a clock input pin to set the timing of serial data. An instruction code, an address and Write data are received at a rising edge of clock. Data is output during falling edge of clock.

5. $\overline{\text{WP}}$ (Write protect input) pin

Write protect is purposed to protect the area size against the Write instruction (BP1, BP0 in the status register). Fix this pin “H” or “L” not to set it in the floating state.

Refer to “■ Protect Operation” for details.

6. HOLD (HOLD input) pin

This pin is used to pause serial communications without setting the device in the non-select status.

In the hold status, the serial output goes in high impedance, the serial input and the serial clock go in “Don’t care”.

During the hold operation, be sure to set the device in active by setting the chip select ($\overline{\text{CS}}$ pin) to “L”.

Refer to “■ Hold Operation” for details.

■ Initial Shipment Data

Initial shipment data of all addresses is “FFh”.

Moreover, initial shipment data of the status register nonvolatile memory is as follows.

- SRWD = 0
- BP1 = 0
- BP0 = 0

■ Instruction Set

Table 16 is the list of instruction for the S-25C320A/640A. The instruction is able to be input by changing the \overline{CS} pin "H" to "L". Input the instruction in the MSB first. Each instruction code is organized with 1-byte as shown below. If the S-25C320A/640A receives any invalid instruction code, the device goes in the non-select status.

Table 16 Instruction Set

| Instruction | Operation | Instruction Code | Address | | | Data |
|-------------|------------------------------|---------------------------|-------------------------------|-----------------------------|-------------------------------|------|
| | | SCK Input Clock 1 to 8 | SCK Input Clock 9 to 16 | SCK Input Clock 17 to 24 | SCK Input Clock 25 to 32 | |
| WREN | Write enable | 0000 0110 | – | – | – | |
| WRDI | Write disable | 0000 0100 | – | – | – | |
| RDSR | Read the status register | 0000 0101 | b7 to b0 output ^{*1} | – | – | |
| WRSR | Write in the status register | 0000 0001 | b7 to b0 input | – | – | |
| READ | Read memory data | 0000 0011 | A15 to A8 ^{*2} | A7 to A0 | D7 to D0 output ^{*3} | |
| WRITE | Write memory data | 0000 0010 | A15 to A8 ^{*2} | A7 to A0 | D7 to D0 input | |

*1. Sequential data reading is possible.

*2. In the S-25C320A, the higher addresses A15 to A12 = Don't care.

In the S-25C640A, the higher addresses A15 to A13 = Don't care.

*3. After outputting data in the specified address, data in the following address is output.

■ Operation

1. Status register

The status register's organization is below. The status register can Write and Read by a specific instruction.

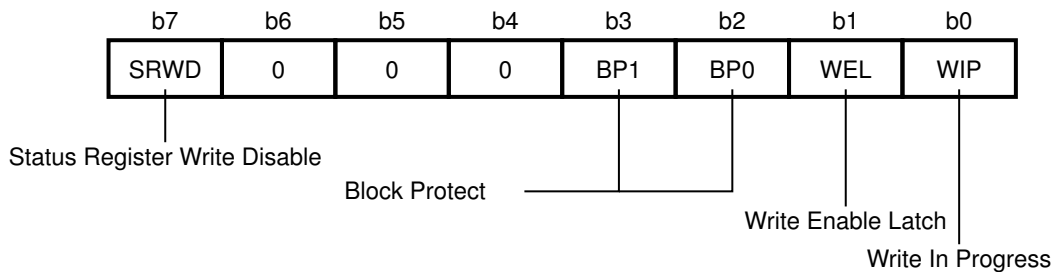


Figure 11 Organization of Status Register

The status / control bits of the status register as follows.

1. 1 SRWD (b7) : Status Register Write Disable

Bit SRWD operates in conjunction with the Write protect signal (\overline{WP}). With a combination of bit SRWD and signal \overline{WP} (SRWD = "1", \overline{WP} = "L"), this device goes in Hardware Protect status. In this case, the bits composed of the nonvolatile bit in the status register (SRWD, BP1, BP0) go in Read Only, so that the WRSR instruction is not be performed.

1. 2 BP1, BP0 (b3, b2) : Block Protect

Bit BP1 and BP0 are composed of the nonvolatile memory. The area size of Software Protect against WRITE instruction is defined by them. Rewriting these bits is possible by the WRSR instruction. To protect the memory area against the WRITE instruction, set either or both of bit BP1 and BP0 to "1". Rewriting bit BP1 and BP0 is possible unless they are in Hardware Protect mode. Refer to "■ Protect Operation" for details of "Block Protect".

1. 3 WEL (b1) : Write Enable Latch

Bit WEL shows the status of internal Write Enable Latch. Bit WEL is set by the WREN instruction only. If bit WEL is "1", this is the status that Write Enable Latch is set. If bit WEL is "0", Write Enable Latch is in reset, so that the device does not receive the WRITE or WRSR instruction. Bit WEL is reset after these operations;

- The power supply voltage is dropping
- Power-on
- After performing WRDI
- After the Write operation by the WRSR instruction has completed
- After the Write operation by the WRITE instruction has completed

1.4 WIP (b0) : Write In Progress

Bit WIP is Read Only and shows whether the internal memory is in the Write operation or not by the WRITE or WRSR instruction. Bit WIP is "1" during the Write operation but "0" during any other status. **Figure 12** shows the usage example.

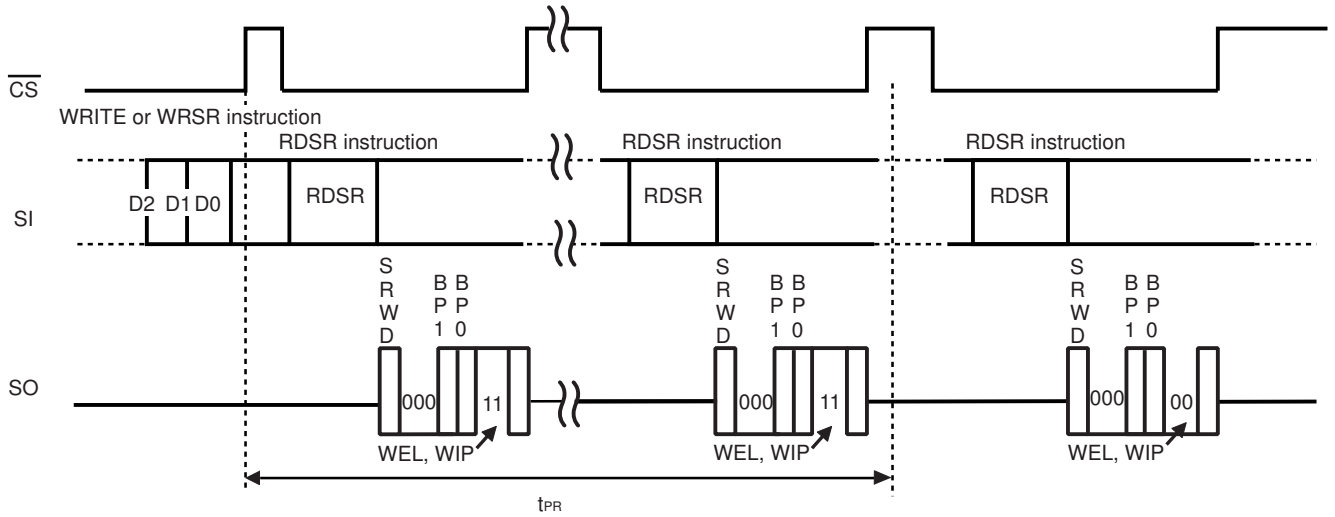


Figure 12 Usage Example of WEL, WIP Bits during Write

2. Write enable (WREN)

Before writing data (WRITE and WRSR), be sure to set bit Write Enable Latch (WEL). This instruction is to set bit WEL. Its operation is below.

After selecting the device by the chip select (\overline{CS}), input the instruction code from serial data input (SI). To set bit WEL, set the device in the non-select status by \overline{CS} at the 8th clock of the serial clock (SCK). To cancel the WREN instruction, input the clock different from a specified value ($n = 8$ clock) while \overline{CS} is in "L".

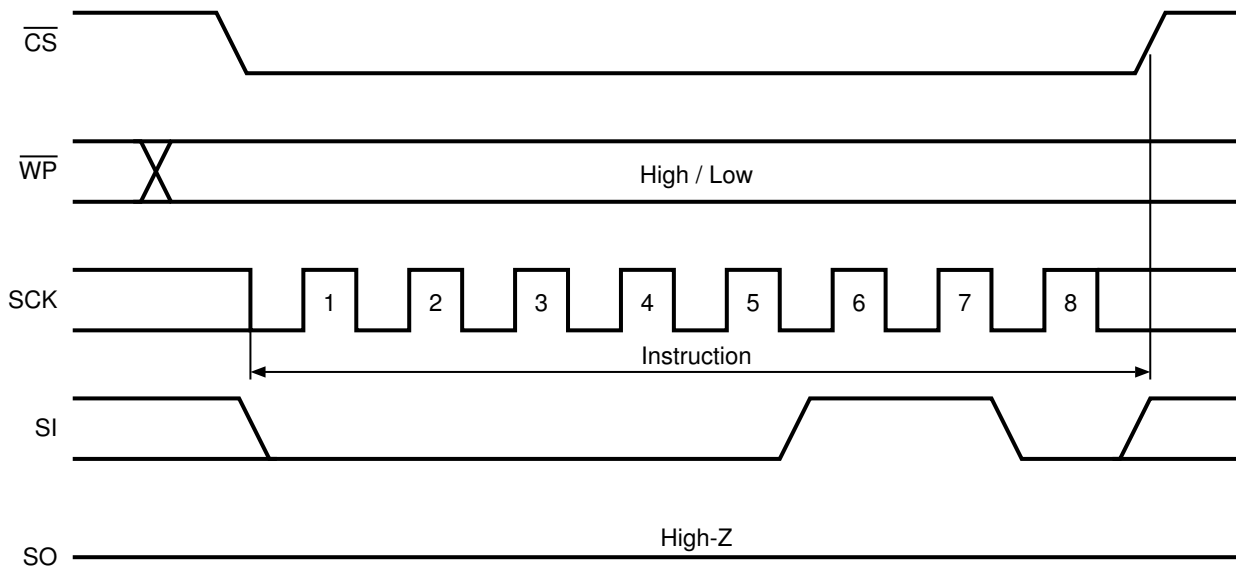


Figure 13 WREN Operation

3. Write disable (WRDI)

The WRDI instruction is one of ways to reset bit Write Enable Latch (WEL). After selecting the device by the chip select (\overline{CS}), input the instruction code from serial data input (SI).

To reset bit WEL, set the device in the non-select status by \overline{CS} at the 8th clock of the serial clock.

To cancel the WRDI instruction, input the clock different from a specified value ($n = 8$ clock) while \overline{CS} is in "L". Bit WEL is reset after the operations shown below.

- The power supply voltage is dropping
- Power-on
- After performing WRDI
- After the completion of Write operation by the WRSR instruction
- After the completion of Write operation by the WRITE instruction

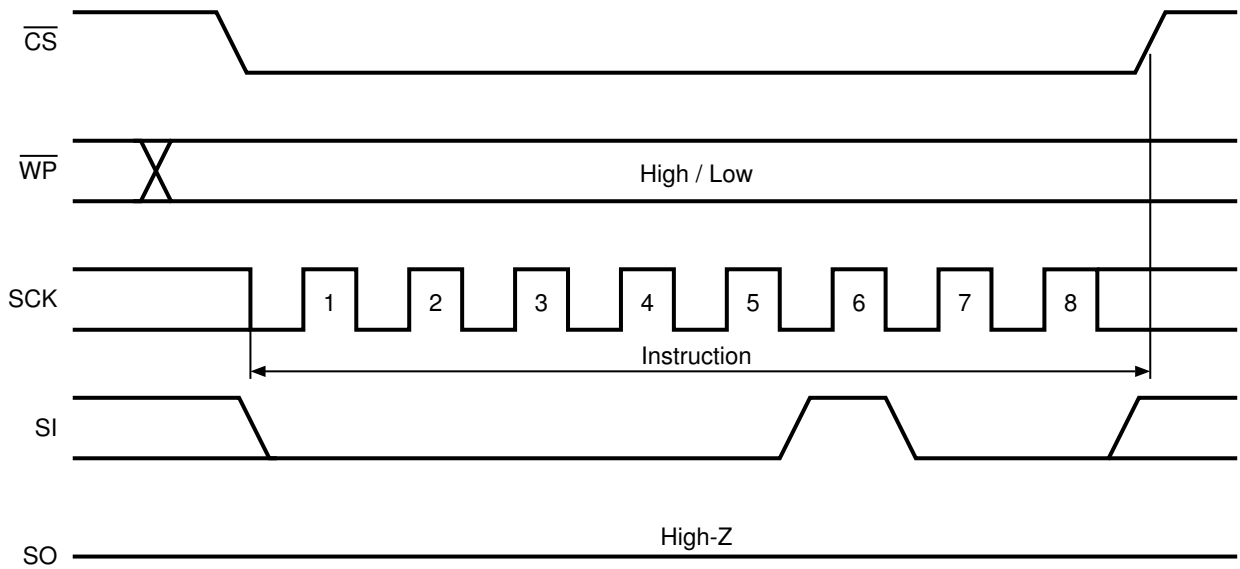


Figure 14 WRDI Operation

4. Read the status register (RDSR)

Reading data in the status register is possible by the RDSR instruction. During the Write operation, it is possible to confirm the progress by checking bit WIP.

Set the chip select (\overline{CS}) "L" first. After that, input the instruction code from serial data input (SI). The status of bit in the status register is output from serial data output (SO). Sequential Read is available for the status register. To stop the Read cycle, set \overline{CS} to "H".

It is possible to read the status register always. The bits in it are valid and can be read by RDSR even in the Write cycle.

However, during the Write cycle in progress, the nonvolatile bits SRWD, BP1, BP0 are fixed in a certain value. These updated values of bit can be obtained by inputting another new RDSR instruction after the Write cycle has completed. Contrarily, two of Read Only bits WEL and WIP are being updated while the Write cycle is in progress.

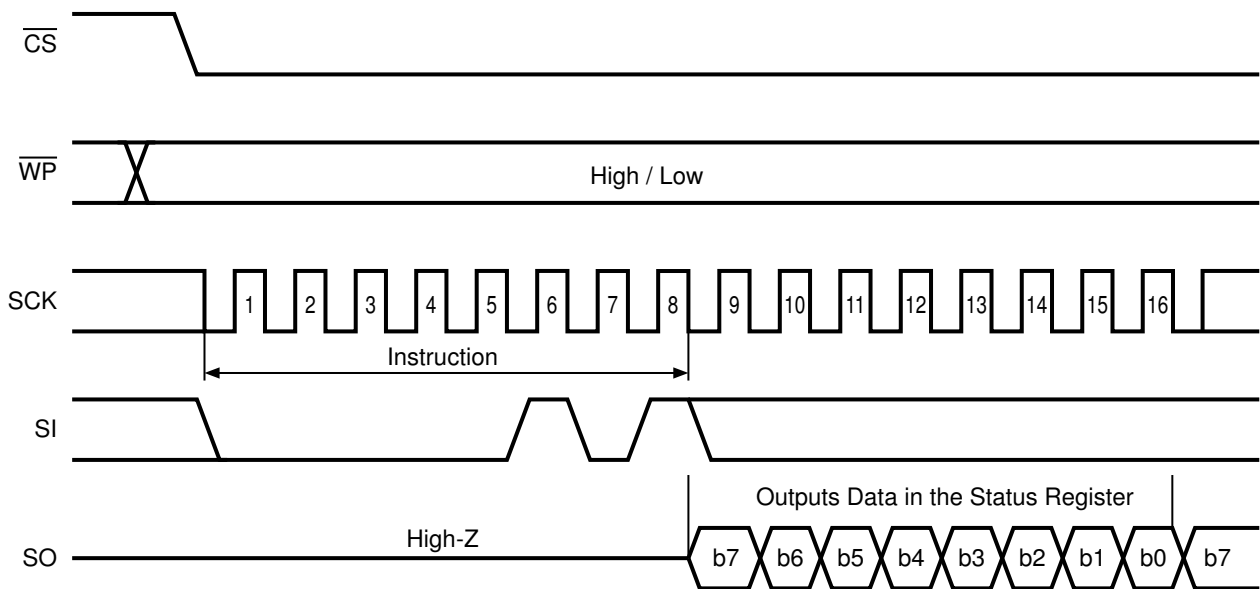


Figure 15 RDSR Operation

5. Write in the status register (WRSR)

The values of status register (SRWD, BP1, BP0) can be rewritten by inputting the WRSR instruction. But b6, b5, b4, b1, b0 of status register cannot be rewritten. b6 to 4 are always data "0" when reading the status register.

Before inputting the WRSR instruction, set bit WEL by the WREN instruction. The operation of WRSR is shown below.

Set the chip select (\overline{CS}) "L" first. After that, input the instruction code and data from serial data input (SI). To start WRSR Write (t_{PR}), set the chip select (\overline{CS}) to "H" after inputting data or before inputting a rising of the next serial clock. It is possible to confirm the operation status by reading the value of bit WIP during WRSR Write. Bit WIP is "1" during Write, "0" during any other status. Bit WEL is reset when Write is completed.

With the WRSR instruction, the values of BP1 and BP0; which determine the area size the users can handle as the Read Only memory; can be changed. Besides bit SRWD can be set or reset by the WRSR instruction depending on the status of Write protect \overline{WP} . With a combination of bit SRWD and Write protect \overline{WP} , the device can be set in Hardware Protect mode (HPM). In this case, the WRSR instruction is not be performed (Refer to "■ Protect Operation").

Bit SRWD and BP1, BP0 keep the value which is the one prior to the WRSR instruction during the WRSR instruction. The newly updated value is changed when the WRSR instruction has completed.

To cancel the WRSR instruction, input the clock different from a specified value ($n = 16$ clock) while \overline{CS} is in "L".

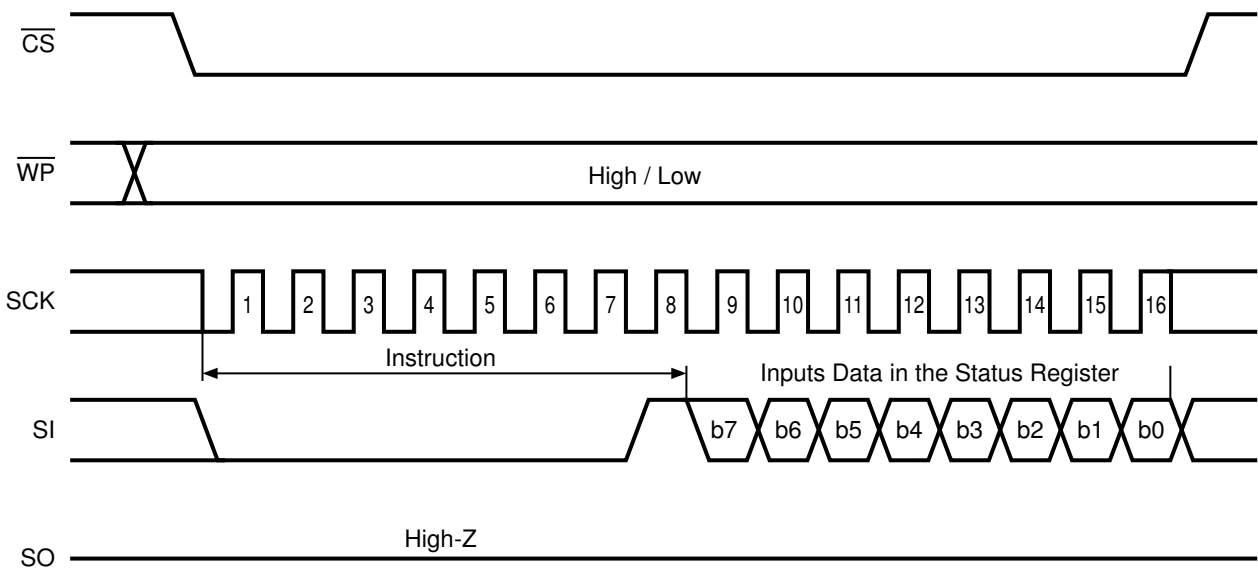


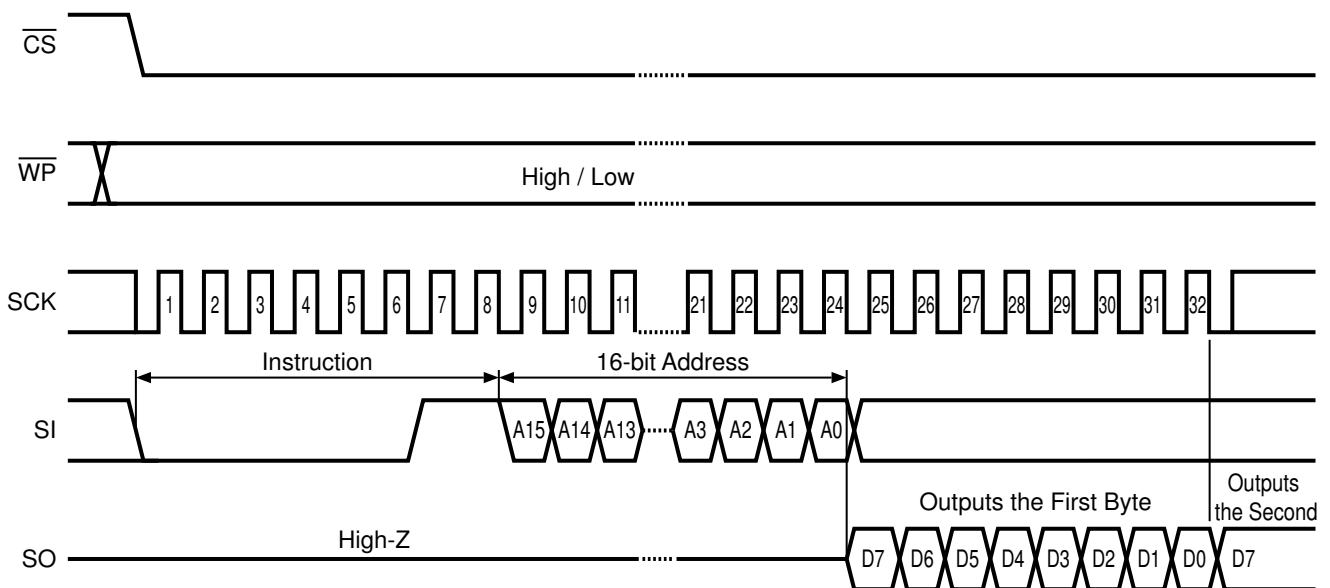
Figure 16 WRSR Operation

6. Read memory data (READ)

The READ operation is shown below. Input the instruction code and the address from serial data input (SI) after inputting “L” to the chip select (\overline{CS}). The input address is loaded to the internal address counter, and data in the address is output from the serial data output (SO).

Next, by inputting the serial clock (SCK) keeping the chip select (\overline{CS}) in “L”, the address is automatically incremented so that data in the following address is sequentially output. The address counter rolls over to the first address by increment in the last address.

To finish the Read cycle, set \overline{CS} to “H”. It is possible to raise the chip select always during the cycle. During Write, the READ instruction code is not be accepted or operated.



Remark In the S-25C320A, the higher addresses A15 to A12 = Don't care.
 In the S-25C640A, the higher addresses A15 to A13 = Don't care.

Figure 17 READ Operation

7. Write memory data (WRITE)

Figure 18 shows the timing chart when inputting 1-byte data. Input the instruction code, the address and data from serial data input (SI) after inputting “L” to the chip select (\overline{CS}). To start WRITE (t_{PR}), set the chip select (\overline{CS}) to “H” after inputting data or before inputting a rising of the next serial clock. Bit WIP and WEL are reset to “0” when Write has completed.

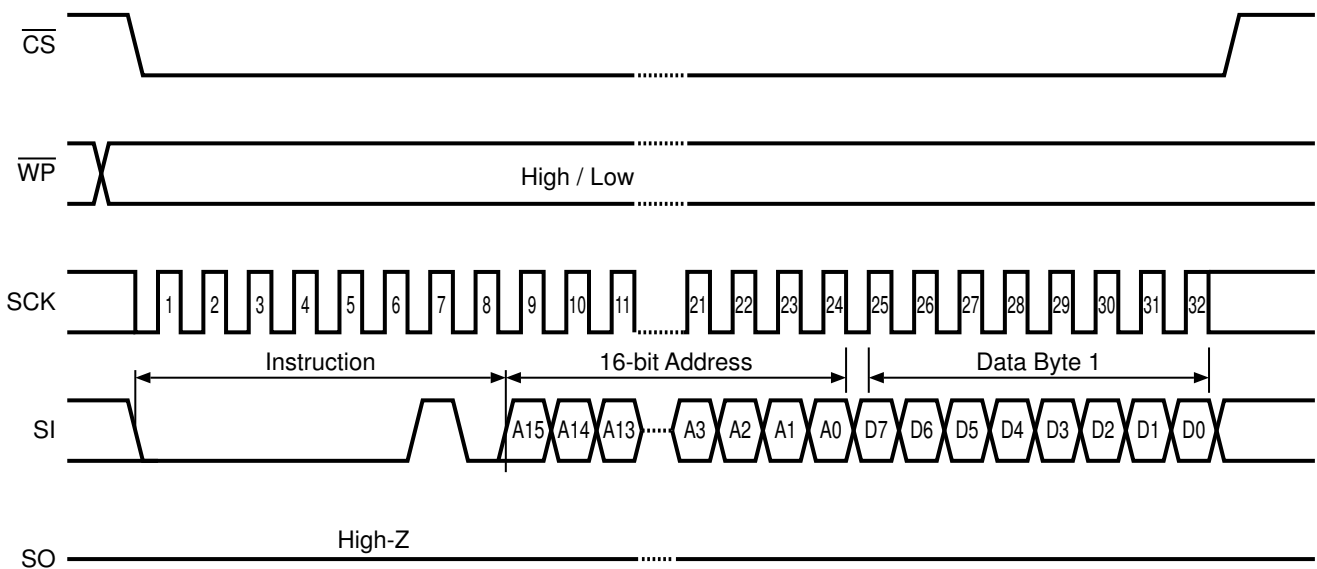
The S-25C320A/640A can Page Write of 32 bytes. Its function to transmit data is as same as Byte Write basically, but it operates Page Write by receiving sequential 8-bit Write data as much data as page size has. Input the instruction code, the address and data from serial data input (SI) after inputting “L” in \overline{CS} , as the WRITE operation (page) shown in **Figure 19**. Input the next data while keeping \overline{CS} in “L”. After that, repeat inputting data of 8-bit sequentially. At the end, by setting \overline{CS} to “H”, the WRITE operation starts (t_{PR}).

5 of the lower bits in the address are automatically incremented every time when receiving Write data of 8-bit. Thus, even if Write data exceeds 32 bytes, the higher bits in the address do not change. And 5 of lower bits in the address roll over so that Write data which is previously input is overwritten.

These are cases when the WRITE instruction is not accepted or operated.

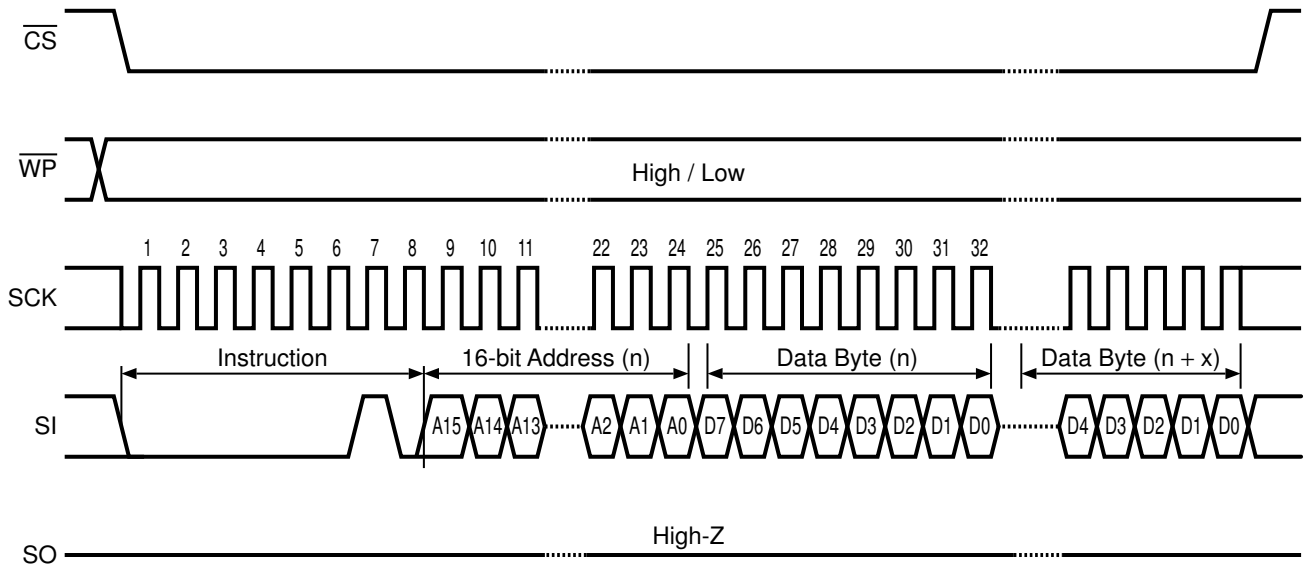
- Bit WEL is not set to “1” (not set to “1” beforehand immediately before the WRITE instruction)
- During Write
- The address to be written is in the protect area by BP1 and BP0.

To cancel the WRITE instruction, input the clock different from a specified value ($n = 24+m \times 8\text{clock}$) while \overline{CS} is in “L”.



Remark In the S-25C320A, the higher addresses A15 to A12 = Don't care.
In the S-25C640A, the higher addresses A15 to A13 = Don't care.

Figure 18 WRITE Operation (1 Byte)



Remark In the S-25C320A, the higher addresses A15 to A12 = Don't care.
In the S-25C640A, the higher addresses A15 to A13 = Don't care.

Figure 19 WRITE Operation (Page)

■ Protect Operation

Table 17 shows the block settings of write protect. **Table 18** shows the protect operation for the device. As long as bit SRWD, the Status Register Write Disable bit, in the status register is reset to “0” (it is in reset before the shipment), the value of status register can be changed.

These are two statuses when bit SRWD is set to “1”.

- Write in the status register is possible; Write protect (\overline{WP}) is in “H”.
- Write in the status register is impossible; Write protect (\overline{WP}) is in “L”. Therefore the Write protect area which is set by protect bit (BP1, BP0) in the status register cannot be changed.

These operations are to set Hardware Protect (HPM).

- After setting bit SRWD, set Write protect (\overline{WP}) to “L”.
- Set bit SRWD completed setting Write protect (\overline{WP}) to “L”.

Figure 9 and **10** show the Valid timing in write protect and Invalid timing in Write protect during the cycle Write to the status register.

By inputting “H” to Write protect (\overline{WP}), Hardware Protect (HPM) is released. If the Write protect (\overline{WP}) is “H”, Hardware Protect (HPM) does not function, Software Protect (SPM) which is set by the protect bits in the status register (BP1, BP0) only works.

Table 17 Block Settings of Write Protect

| Status Register | | Area of Write Protect | Address of Write protect Block | |
|-----------------|-----|-----------------------|--------------------------------|----------------|
| BP1 | BP0 | | S-25C320A | S-25C640A |
| 0 | 0 | 0 % | None | None |
| 0 | 1 | 25 % | C00h to FFFh | 1800h to 1FFFh |
| 1 | 0 | 50 % | 800h to FFFh | 1000h to 1FFFh |
| 1 | 1 | 100 % | 000h to FFFh | 0000h to 1FFFh |

Table 18 Protect operation

| Mode | \overline{WP} Pin | Bit SRWD | Bit WEL | Write Protect Block | General Block | Status Register |
|------------------------|---------------------|----------|---------|---------------------|---------------|-----------------|
| Software Protect (SPM) | 1 | X | 0 | Write disable | Write disable | Write disable |
| | 1 | X | 1 | Write disable | Write enable | Write enable |
| | X | 0 | 0 | Write disable | Write disable | Write disable |
| | X | 0 | 1 | Write disable | Write enable | Write enable |
| Hardware Protect (HPM) | 0 | 1 | 0 | Write disable | Write disable | Write disable |
| | 0 | 1 | 1 | Write disable | Write enable | Write disable |

Remark X = Don't care

■ Hold Operation

The hold operation is used to pause serial communications without setting the device in the non-select status. In the hold status, the serial data output goes in high impedance, and both of the serial data input and the serial clock go in “Don’t care”. Be sure to set the chip select (\overline{CS}) to “L” to set the device in the select status during the hold status.

Generally, during the hold status, the device holds the select status. But if setting the device in the non-select status, the users can finish the operation even in progress.

Figure 20 shows the hold operation. Set Hold (\overline{HOLD}) to “L” when the serial clock (SCK) is in “L”, Hold (\overline{HOLD}) is switched at the same time the hold status starts. If setting Hold (\overline{HOLD}) to “H”, Hold (\overline{HOLD}) is switched at the same time the hold status ends.

Set Hold (\overline{HOLD}) to “L” when the serial clock (SCK) is in “H”; the hold status starts when the serial clock goes in “L” after Hold (\overline{HOLD}) is switched. If setting Hold (\overline{HOLD}) to “H”, the hold status ends when the serial clock goes in “L” after Hold (\overline{HOLD}) is switched.

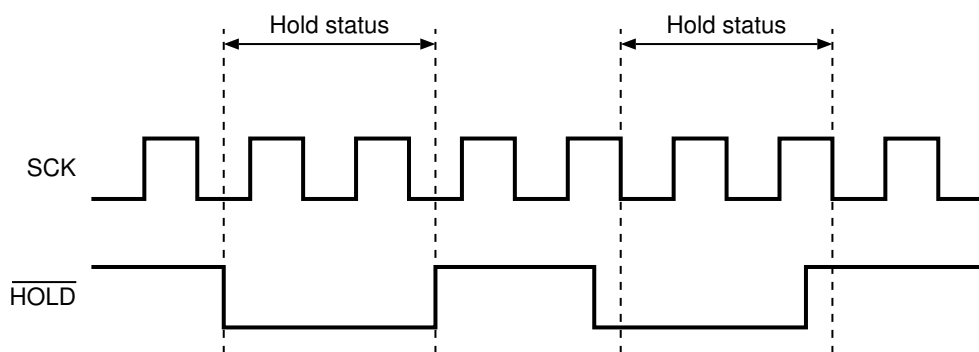


Figure 20 Hold Operation

■ Write Protect Function during the Low Power Supply Voltage

The S-25C320A/640A has a built-in detection circuit which operates with the low power supply voltage. The S-25C320A/640A cancels the Write operation (WRITE, WRSR) when the power supply voltage drops and power-on, at the same time, goes in the Write protect status (WRDI) automatically to reset bit WEL. Its detection and release voltages are 1.20 V typ. (Refer to **Figure 21**).

To operate Write, after the power supply voltage dropped once but rose to the voltage level which allows Write again, be sure to set the Write Enable Latch bit (WEL) before operating Write (WRITE, WRSR).

In the Write operation, data in the address written during the low power supply voltage is not assured.

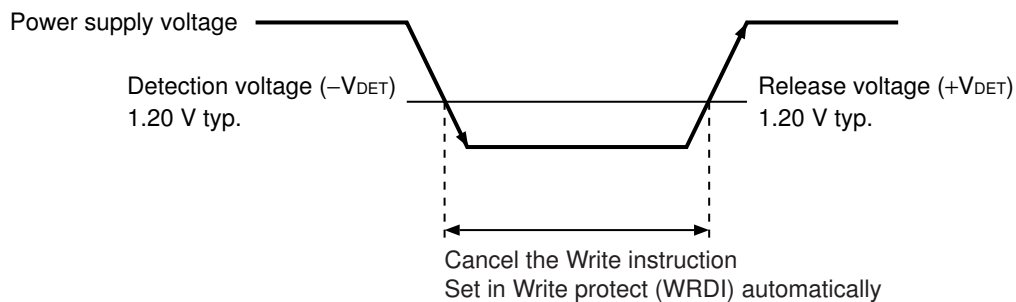


Figure 21 Operation during Low Power Supply Voltage

■ Input Pin and Output Pin

1. Connection of input pin

All input pins in the S-25C320A/640A has the CMOS structure. Do not set these pins in high impedance during operation when you design. Especially, set the \overline{CS} input in the non-select status "H" during power-on/off and standby. The error Write does not occur as long as the \overline{CS} pin is in the non-select status "H". Set the \overline{CS} pin to V_{CC} via a resistor (the pull-up resistor of 10 k Ω to 100 k Ω).

If the \overline{CS} pin and the SCK pin change from "L" to "H" simultaneously, data may be input from the SI pin.

To prevent the error for sure, it is recommended to pull down the SCK pin to GND. In addition, it is recommended to pull up the SI pin, the \overline{WP} pin and the \overline{HOLD} pin to V_{CC} , or pull down these pins to GND, respectively. Connecting the \overline{WP} pin and the \overline{HOLD} pin to V_{CC} directly is also possible when these pins are not in use.

2. Equivalent circuit of input pin and output pin

Figure 22 and **23** show the equivalent circuits of input pins in the S-25C320A/640A. A pull-up and pull-down elements are not included in each input pin, pay attention not to set it in the floating state when you design.

Figure 24 shows the equivalent circuit of the output pin. This pin has the tri-state output of "H" level / "L" level / high impedance.

2.1 Input pin

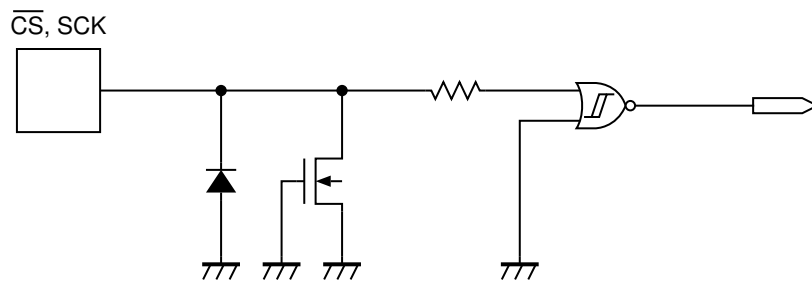


Figure 22 $\overline{\text{CS}}$, SCK Pin

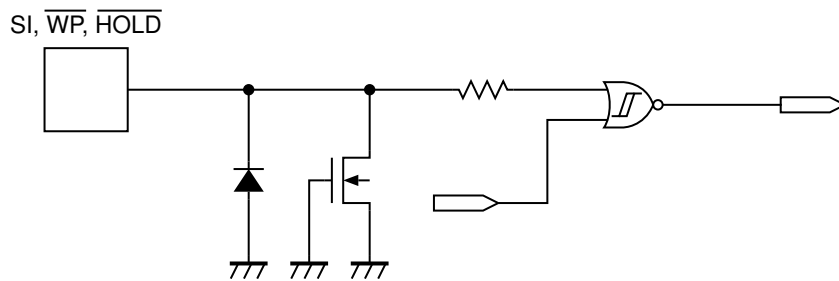


Figure 23 SI, $\overline{\text{WP}}$, $\overline{\text{HOLD}}$ Pin

2.2 Output pin

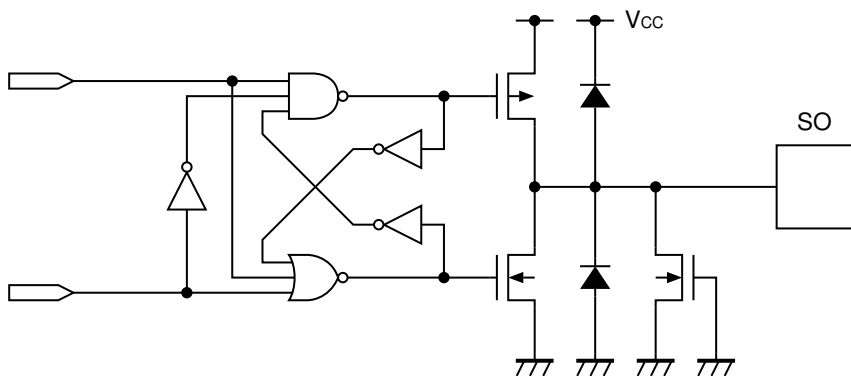


Figure 24 SO Pin

3. Precautions for use

- Absolute maximum ratings: Do not operate these ICs in excess of the absolute maximum ratings (as listed on the data sheet). Exceeding the supply voltage rating can cause latch-up.
- Operations with moisture on the S-25C320A/640A pins may occur malfunction by short-circuit between pins. Especially, in occasions like picking the S-25C320A/640A up from low temperature tank during the evaluation. Be sure that not remain frost on the S-25C320A/640A's pins to prevent malfunction by short-circuit. Also attention should be paid in using on environment, which is easy to dew for the same reason.

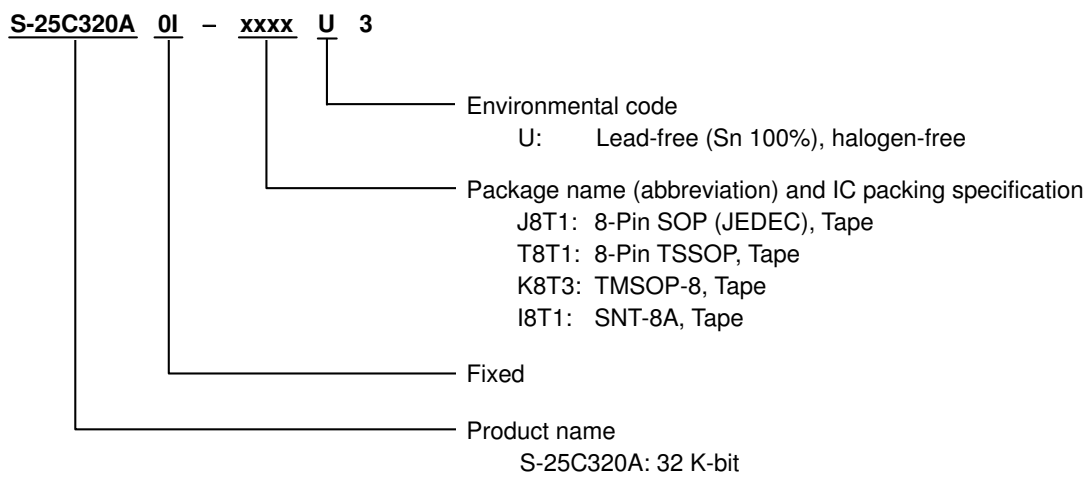
■ Precautions

- Do not apply an electrostatic discharge to this IC that exceeds the performance ratings of the built-in electrostatic protection circuit.
- SII claims no responsibility for any and all disputes arising out of or in connection with any infringement of the products including this IC upon patents owned by a third party.

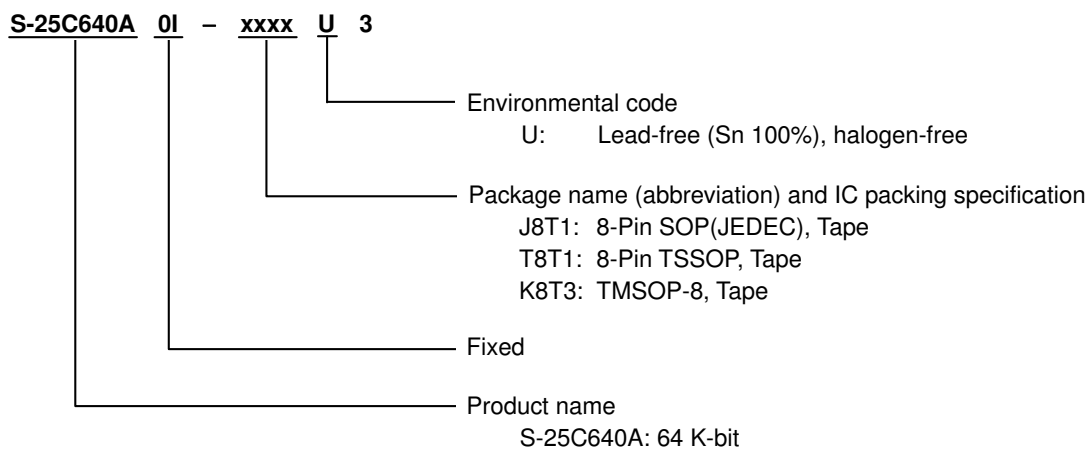
■ Product Name Structure

1. Product name

1.1 S-25C320A

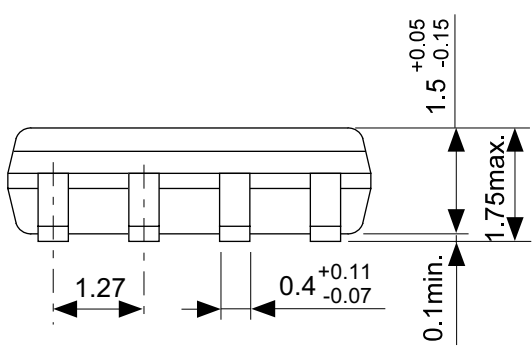
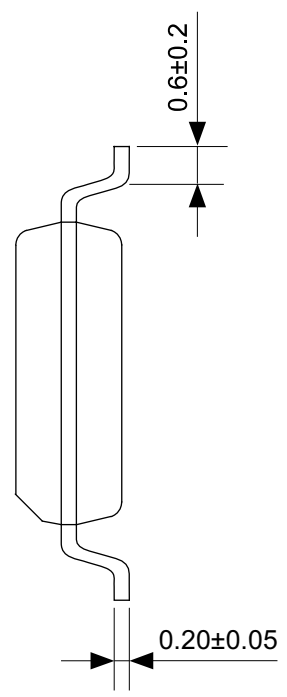
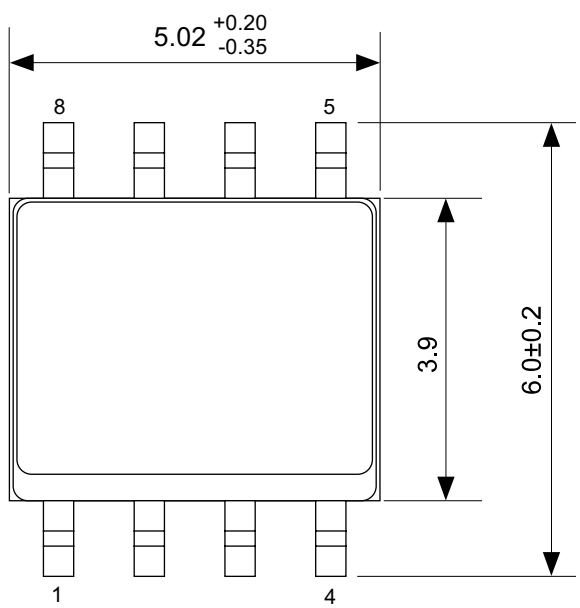


1.2 S-25C640A



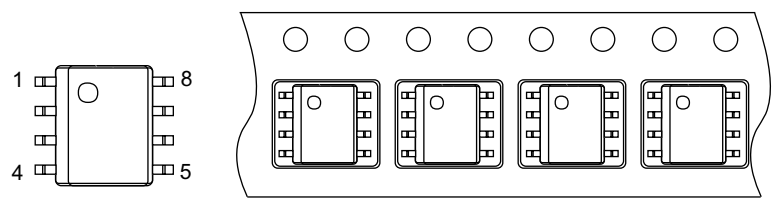
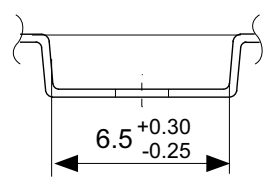
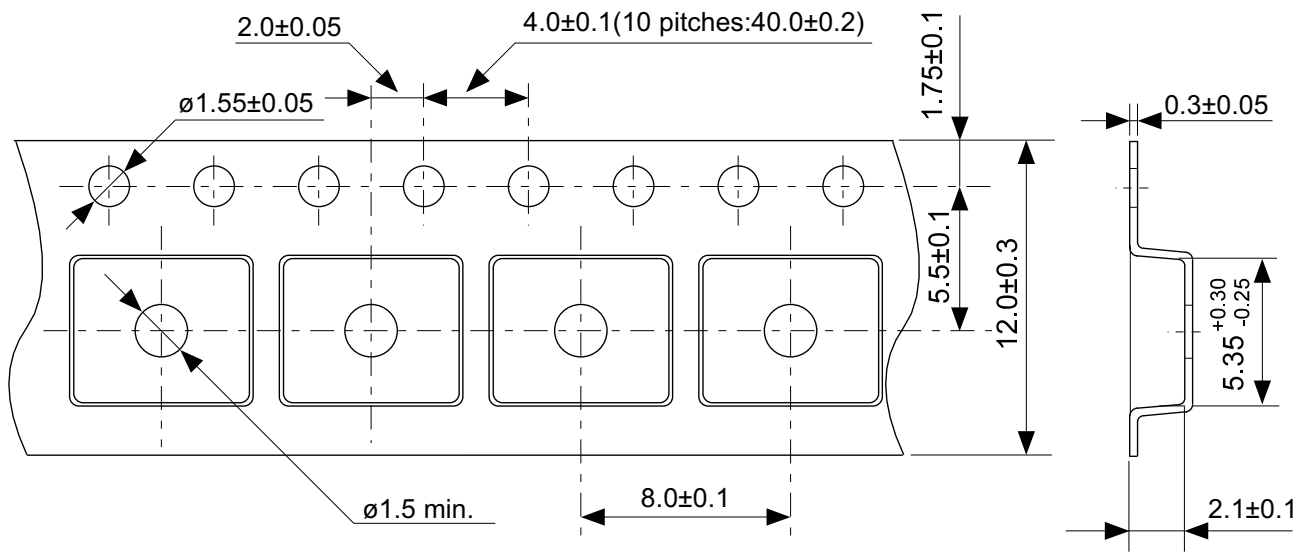
2. Packages

| Package name | Drawing code | | | |
|-------------------|--------------|--------------|--------------|--------------|
| | Package | Tape | Reel | Land |
| 8-Pin SOP (JEDEC) | FJ008-Z-P-SD | FJ008-Z-C-SD | FJ008-Z-R-SD | — |
| 8-Pin TSSOP | FT008-Z-P-SD | FT008-Z-C-SD | FT008-Z-R-SD | — |
| TMSOP-8 | FM008-A-P-SD | FM008-A-C-SD | FM008-A-R-SD | — |
| SNT-8A | PH008-A-P-SD | PH008-A-C-SD | PH008-A-R-SD | PH008-A-L-SD |



No. FJ008-Z-P-SD-2.0

| | |
|------------------------|------------------------|
| TITLE | SOP8J-Z-PKG Dimensions |
| No. | FJ008-Z-P-SD-2.0 |
| SCALE | |
| UNIT | mm |
| Seiko Instruments Inc. | |

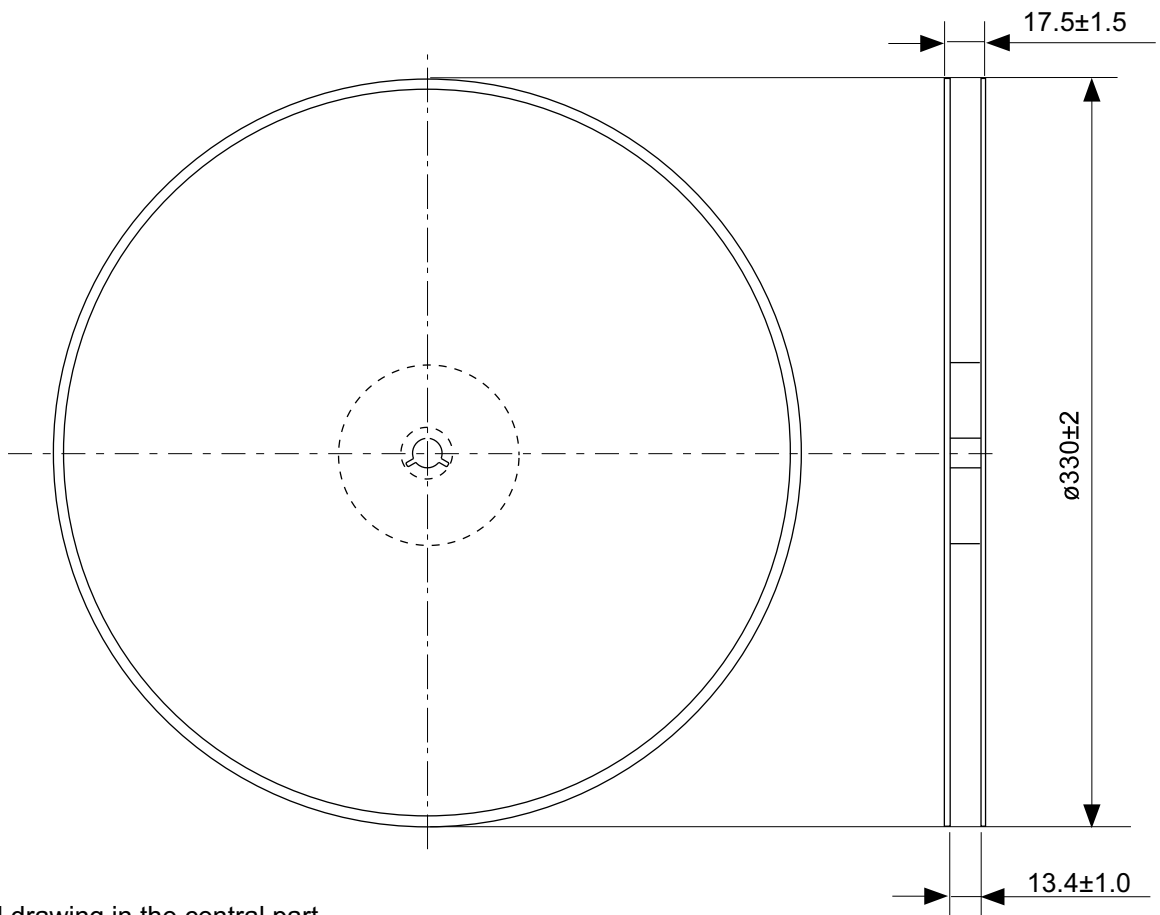


→
Feed direction

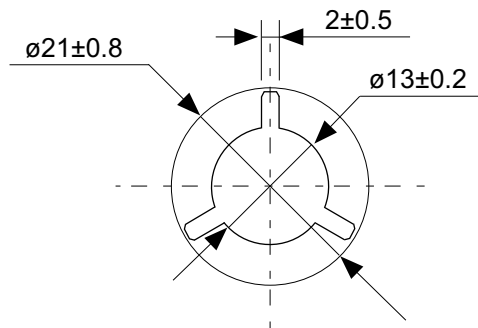
No. FJ008-Z-C-SD-1.0

| | |
|-------|----------------------|
| TITLE | SOP8J-Z-Carrier Tape |
| No. | FJ008-Z-C-SD-1.0 |
| SCALE | |
| UNIT | mm |
| | |

Seiko Instruments Inc.

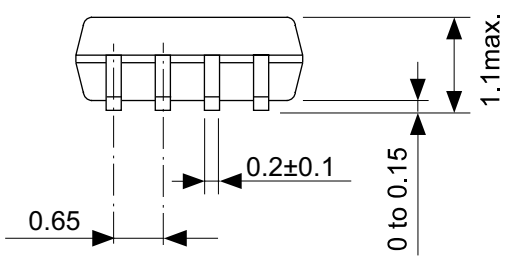
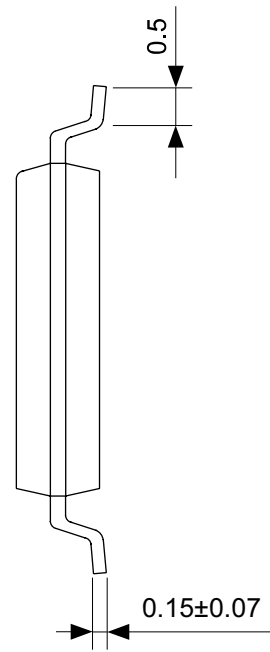
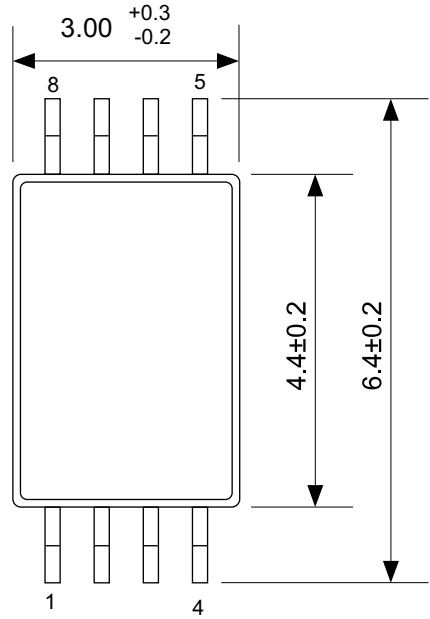


Enlarged drawing in the central part



No. FJ008-Z-R-SD-1.0

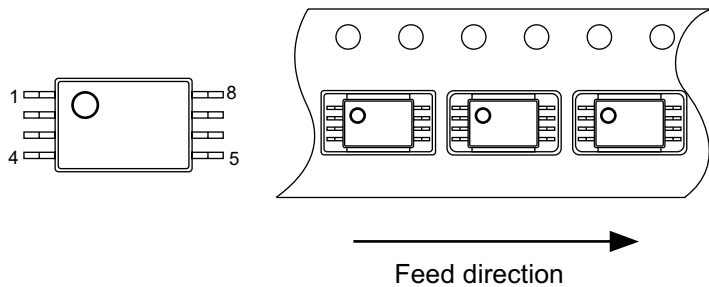
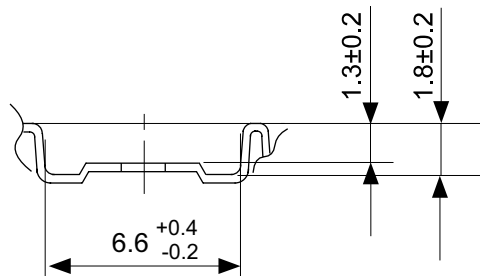
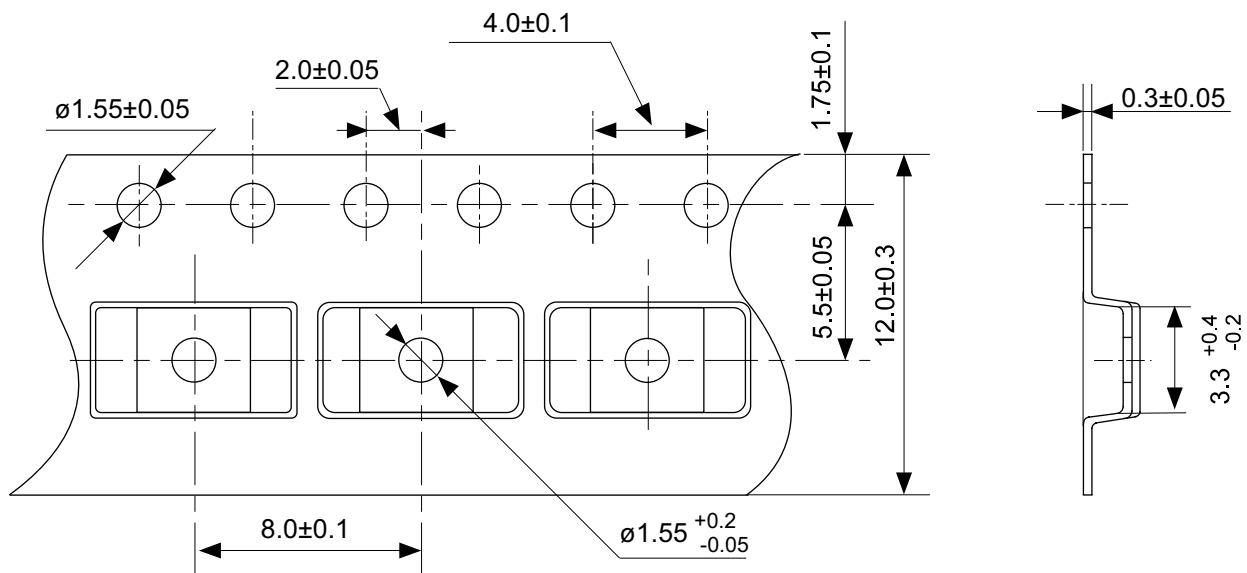
| | | | |
|------------------------|------------------|------|-------|
| TITLE | SOP8J-Z-Reel | | |
| No. | FJ008-Z-R-SD-1.0 | | |
| SCALE | | QTY. | 4,000 |
| UNIT | mm | | |
| | | | |
| Seiko Instruments Inc. | | | |



No. FT008-Z-P-SD-1.0

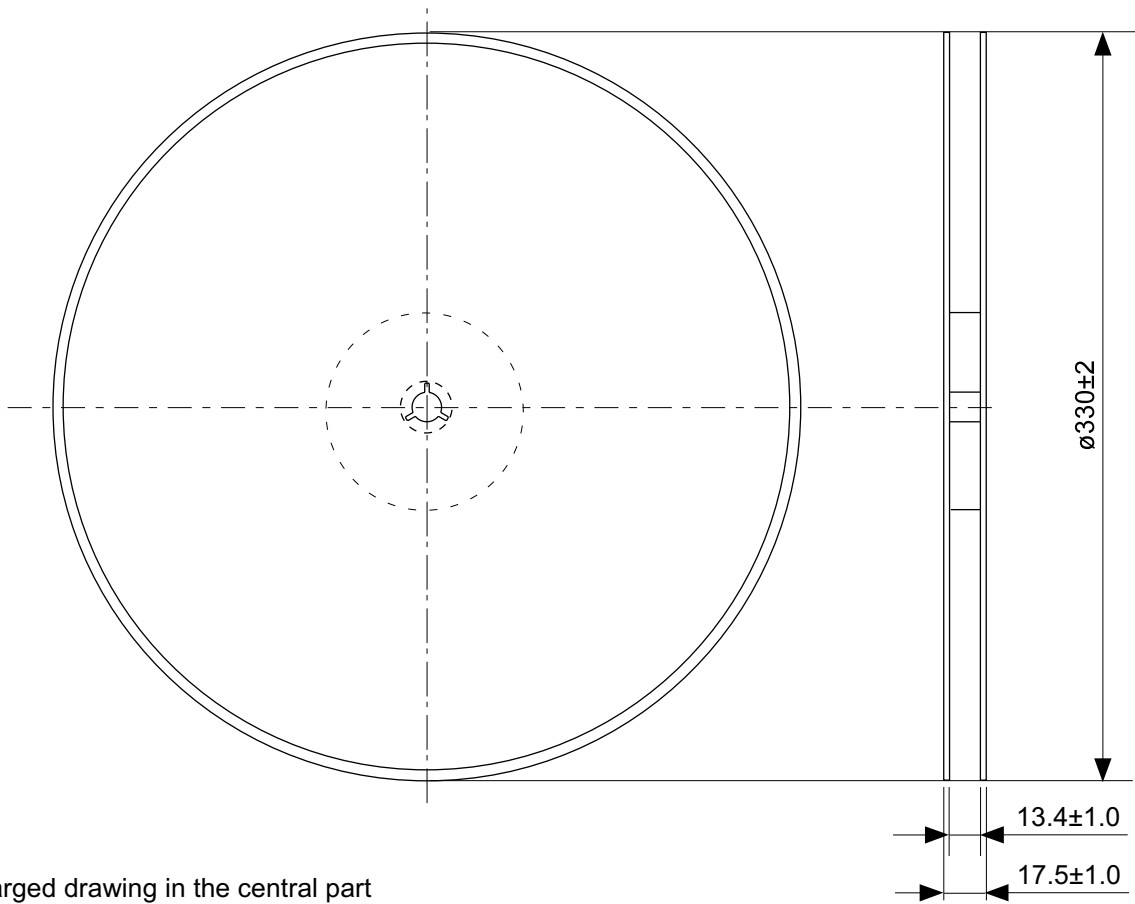
| | |
|-------|-------------------------|
| TITLE | TSSOP8-Z-PKG Dimensions |
| No. | FT008-Z-P-SD-1.0 |
| SCALE | |
| UNIT | mm |
| | |

Seiko Instruments Inc.

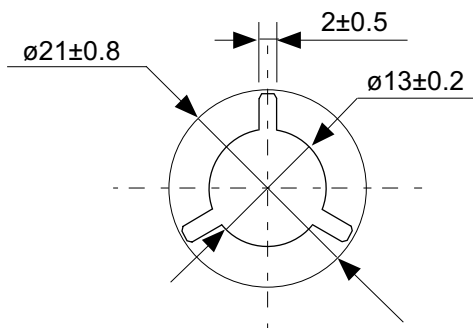


No. FT008-Z-C-SD-1.0

| | |
|------------------------|-----------------------|
| TITLE | TSSOP8-Z-Carrier Tape |
| No. | FT008-Z-C-SD-1.0 |
| SCALE | |
| UNIT | mm |
| Seiko Instruments Inc. | |

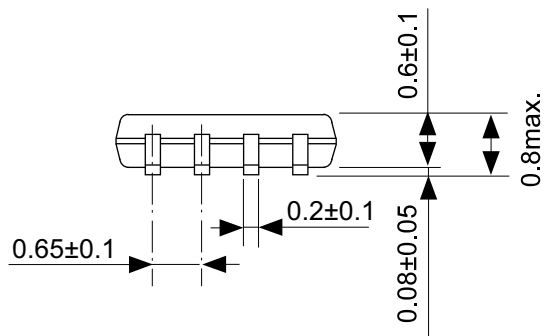
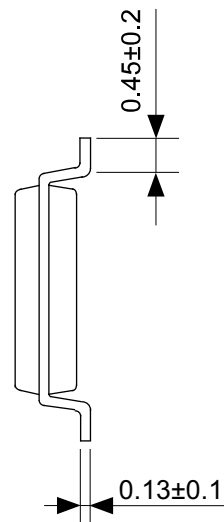
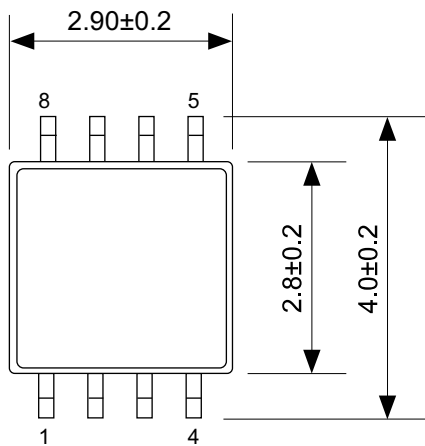


Enlarged drawing in the central part



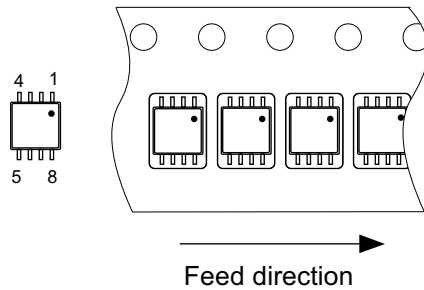
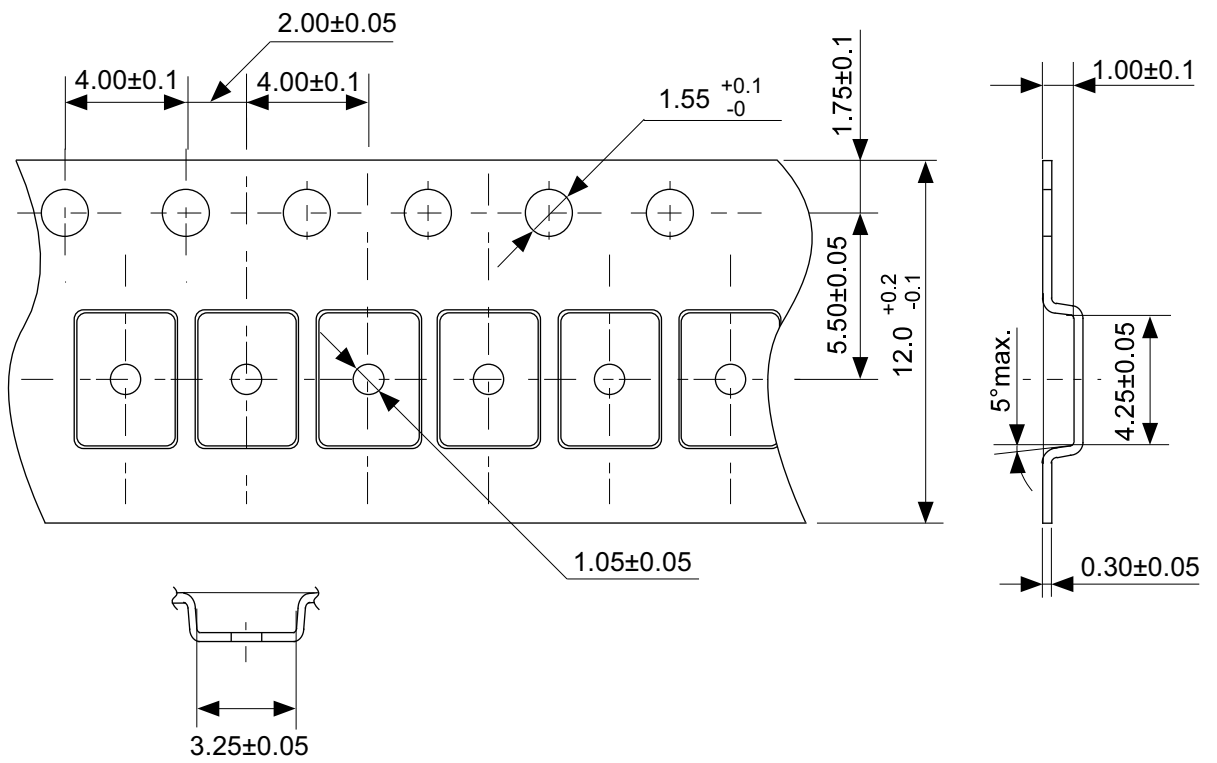
No. FT008-Z-R-SD-1.0

| | | | |
|------------------------|------------------|------|-------|
| TITLE | TSSOP8-Z-Reel | | |
| No. | FT008-Z-R-SD-1.0 | | |
| SCALE | | QTY. | 4,000 |
| UNIT | mm | | |
| | | | |
| Seiko Instruments Inc. | | | |



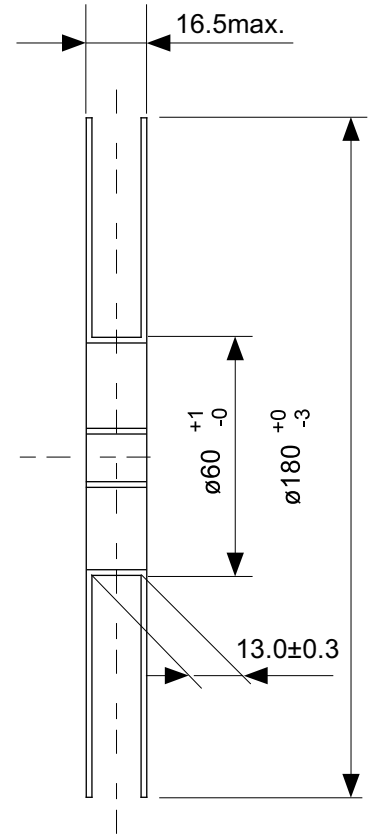
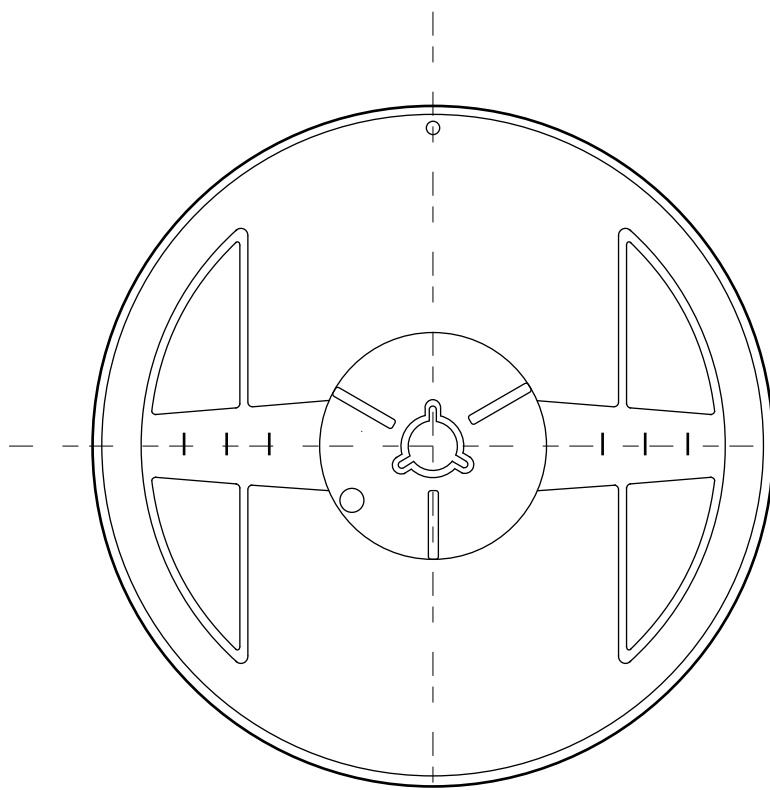
No. FM008-A-P-SD-1.1

| | |
|------------------------|-------------------------|
| TITLE | TMSOP8-A-PKG Dimensions |
| No. | FM008-A-P-SD-1.1 |
| SCALE | |
| UNIT | mm |
| | |
| Seiko Instruments Inc. | |

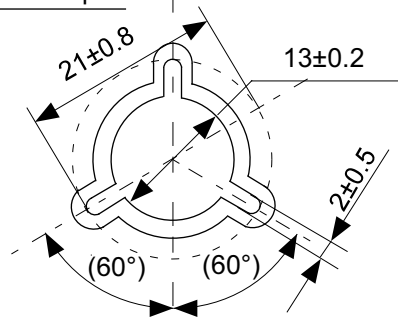


No. FM008-A-C-SD-1.0

| | |
|------------------------|-----------------------|
| TITLE | TMSOP8-A-Carrier Tape |
| No. | FM008-A-C-SD-1.0 |
| SCALE | |
| UNIT | mm |
| | |
| Seiko Instruments Inc. | |

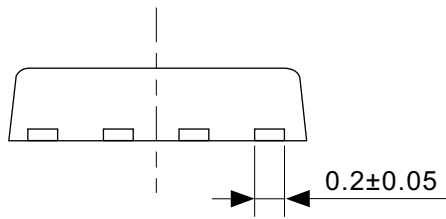
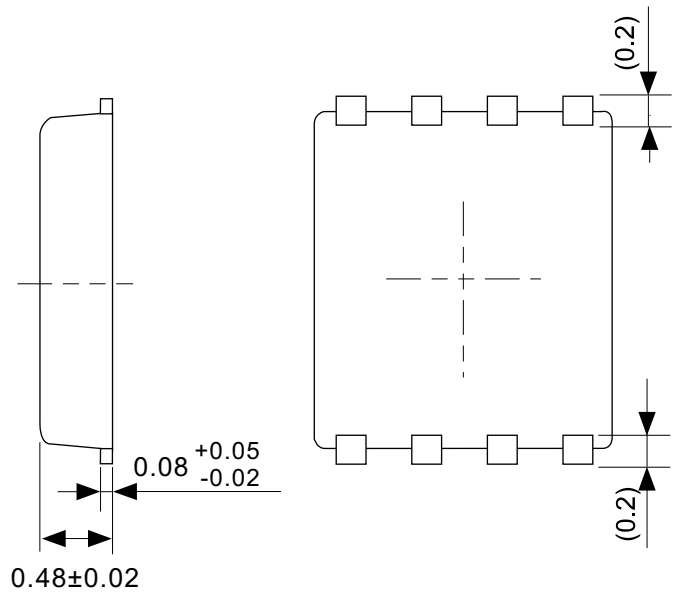
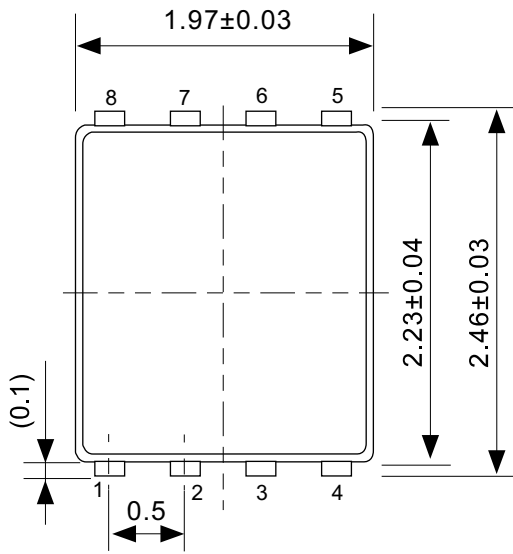


Enlarged drawing in the central part



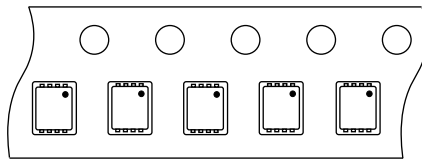
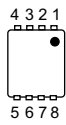
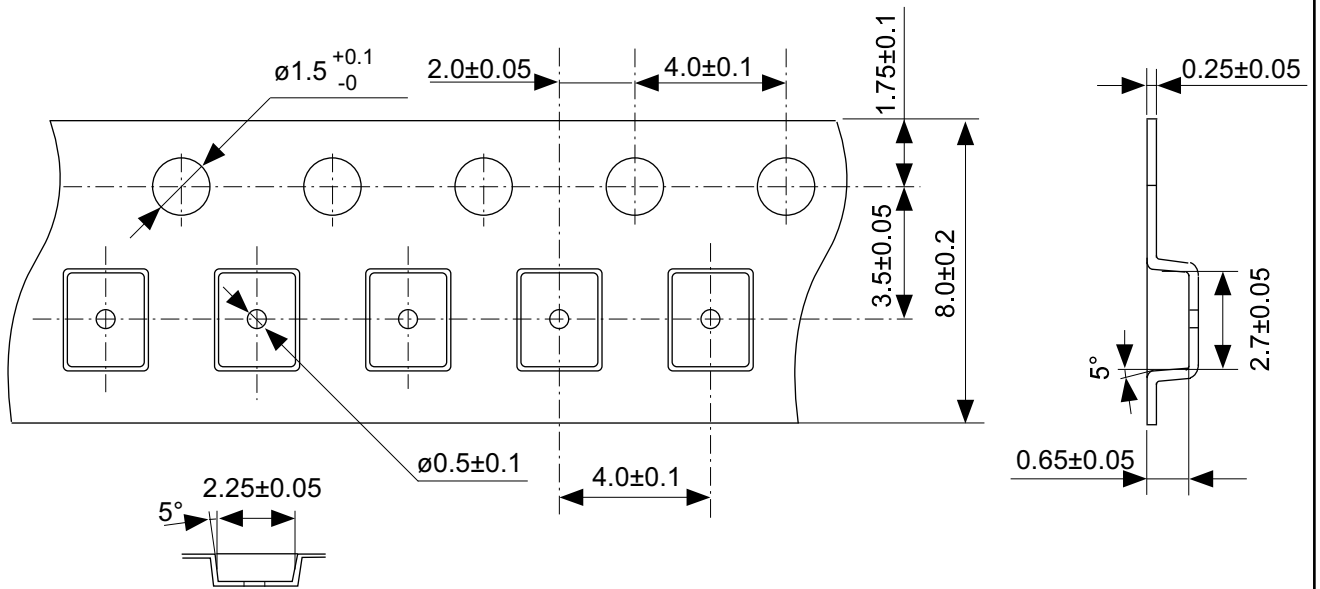
No. FM008-A-R-SD-1.0

| | | | |
|------------------------|------------------|------|-------|
| TITLE | TMSOP8-A-Reel | | |
| No. | FM008-A-R-SD-1.0 | | |
| SCALE | | QTY. | 4,000 |
| UNIT | mm | | |
| | | | |
| Seiko Instruments Inc. | | | |



No. PH008-A-P-SD-2.0

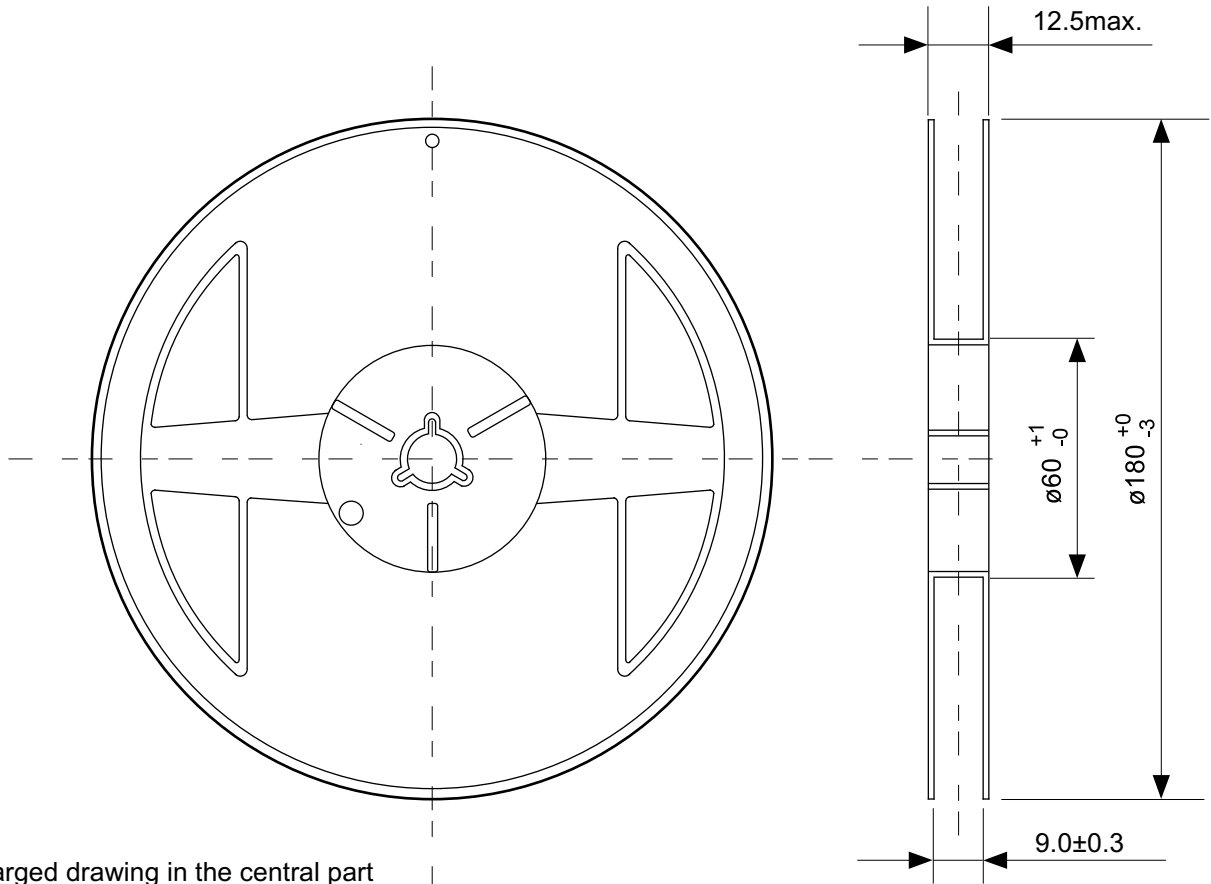
| | |
|------------------------|-------------------------|
| TITLE | SNT-8A-A-PKG Dimensions |
| No. | PH008-A-P-SD-2.0 |
| SCALE | |
| UNIT | mm |
| Seiko Instruments Inc. | |



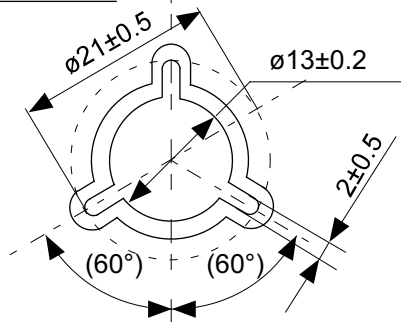
→
Feed direction

No. PH008-A-C-SD-1.0

| | |
|------------------------|-----------------------|
| TITLE | SNT-8A-A-Carrier Tape |
| No. | PH008-A-C-SD-1.0 |
| SCALE | |
| UNIT | mm |
| Seiko Instruments Inc. | |

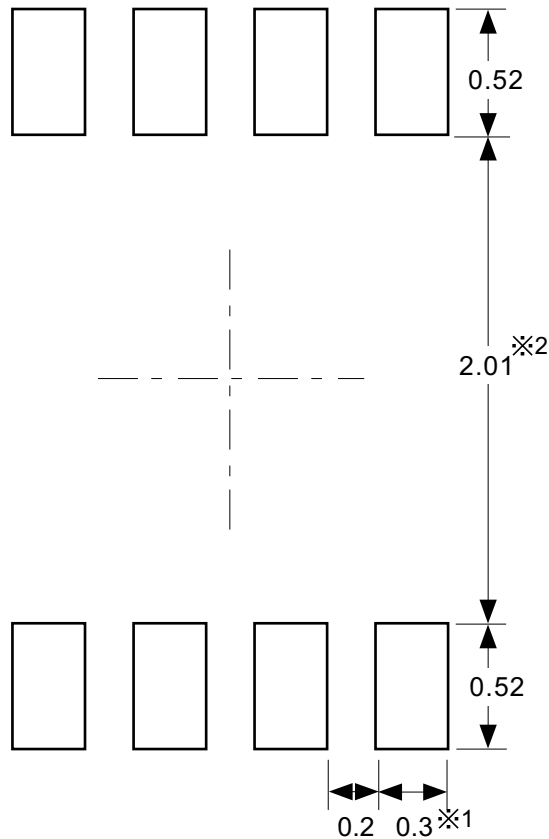


Enlarged drawing in the central part



No. PH008-A-R-SD-1.0

| | | | |
|------------------------|------------------|------|-------|
| TITLE | SNT-8A-A-Reel | | |
| No. | PH008-A-R-SD-1.0 | | |
| SCALE | | QTY. | 5,000 |
| UNIT | mm | | |
| | | | |
| Seiko Instruments Inc. | | | |



※1. ランドパターンの幅に注意してください (0.25 mm min. / 0.30 mm typ.).
 ※2. パッケージ中央にランドパターンを広げないでください (1.96 mm ~ 2.06 mm)。

- 注意
1. パッケージのモールド樹脂下にシルク印刷やハンダ印刷などしないでください。
 2. パッケージ下の配線上のソルダーレジストなどの厚みをランドパターン表面から0.03 mm以下にしてください。
 3. マスク開口サイズと開口位置はランドパターンと合わせてください。
 4. 詳細は "SNTパッケージ活用の手引き" を参照してください。

※1. Pay attention to the land pattern width (0.25 mm min. / 0.30 mm typ.).
 ※2. Do not widen the land pattern to the center of the package (1.96 mm to 2.06mm).

- Caution**
1. Do not do silkscreen printing and solder printing under the mold resin of the package.
 2. The thickness of the solder resist on the wire pattern under the package should be 0.03 mm or less from the land pattern surface.
 3. Match the mask aperture size and aperture position with the land pattern.
 4. Refer to "SNT Package User's Guide" for details.

※1. 请注意焊盘模式的宽度 (0.25 mm min. / 0.30 mm typ.).
 ※2. 请勿向封装中间扩展焊盘模式 (1.96 mm ~ 2.06 mm)。

- 注意
1. 请勿在树脂型封装的下面印刷丝网、焊锡。
 2. 在封装下、布线上的阻焊膜厚度 (从焊盘模式表面起) 请控制在0.03 mm以下。
 3. 掩膜的开口尺寸和开口位置请与焊盘模式对齐。
 4. 详细内容请参阅 "SNT封装的应用指南"。

No. PH008-A-L-SD-4.0

| | |
|------------------------|------------------------------|
| TITLE | SNT-8A-A-Land Recommendation |
| No. | PH008-A-L-SD-4.0 |
| SCALE | |
| UNIT | mm |
| Seiko Instruments Inc. | |



Seiko Instruments Inc.
www.sii-ic.com

- The information described herein is subject to change without notice.
- Seiko Instruments Inc. is not responsible for any problems caused by circuits or diagrams described herein whose related industrial properties, patents, or other rights belong to third parties. The application circuit examples explain typical applications of the products, and do not guarantee the success of any specific mass-production design.
- When the products described herein are regulated products subject to the Wassenaar Arrangement or other agreements, they may not be exported without authorization from the appropriate governmental authority.
- Use of the information described herein for other purposes and/or reproduction or copying without the express permission of Seiko Instruments Inc. is strictly prohibited.
- The products described herein cannot be used as part of any device or equipment affecting the human body, such as exercise equipment, medical equipment, security systems, gas equipment, vehicle equipment, in-vehicle equipment, aviation equipment, aerospace equipment, and nuclear-related equipment, without prior written permission of Seiko Instruments Inc.
- The products described herein are not designed to be radiation-proof.
- Although Seiko Instruments Inc. exerts the greatest possible effort to ensure high quality and reliability, the failure or malfunction of semiconductor products may occur. The user of these products should therefore give thorough consideration to safety design, including redundancy, fire-prevention measures, and malfunction prevention, to prevent any accidents, fires, or community damage that may ensue.