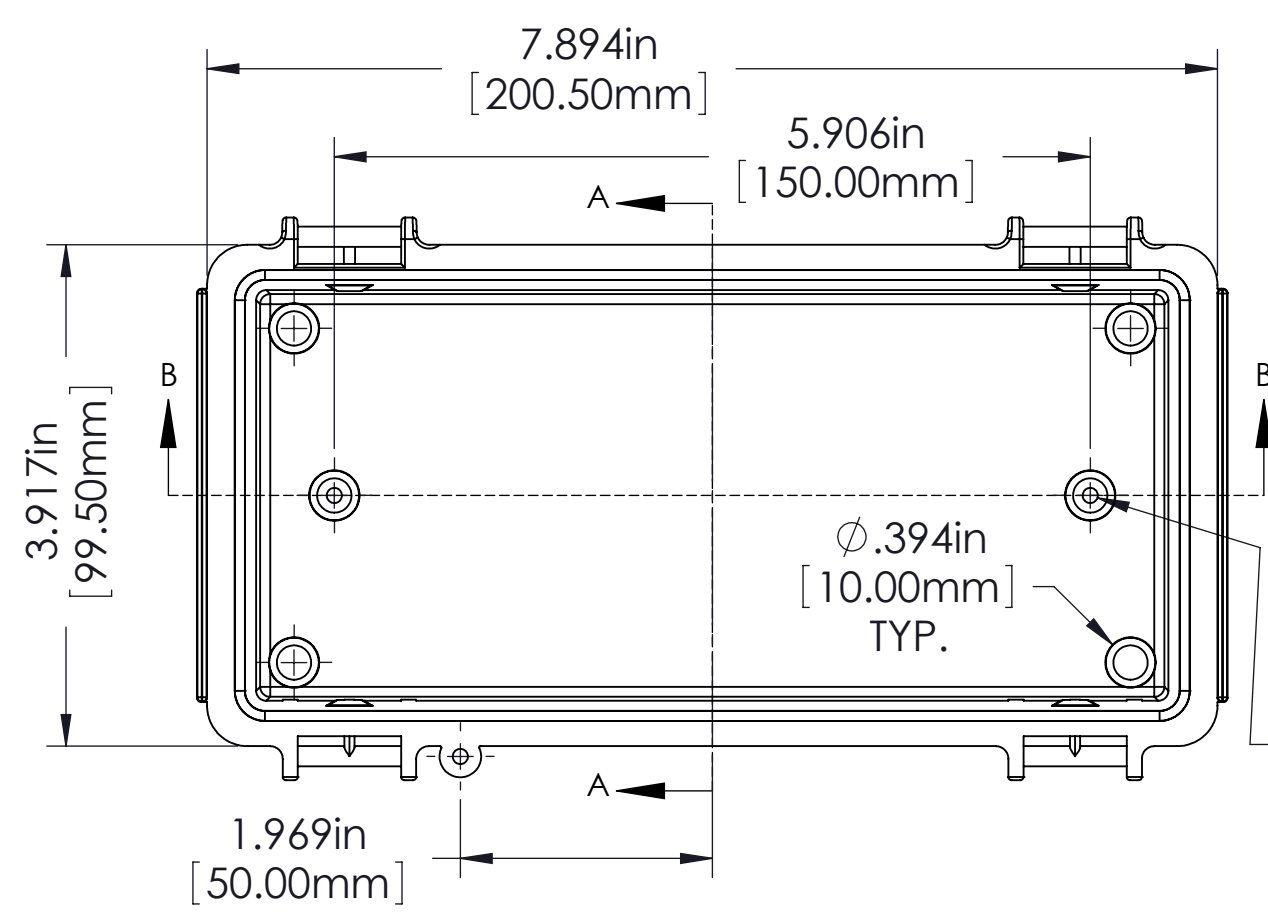


MATERIAL	FLAMMABILITY RATING	CONTINUOUS OPERATING TEMP.
ABS	UL94-HB	-40°C ~ +60°C / -40°F ~ 140°F
CLEAR PC	UL94-V0 UV STABILIZED	-40°C ~ +130°C / -40°F ~ 266°F
ABS / PC BLEND	UL94-5VA	-40°C ~ +85°C / -40°F ~ 185°F
PBT / PC BLEND	UL94-5VA + UV (f1)	-40°C ~ +75°C / -40°F ~ 167°F

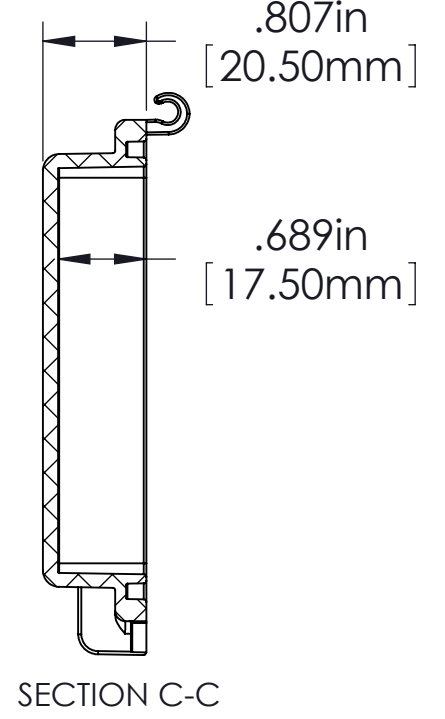
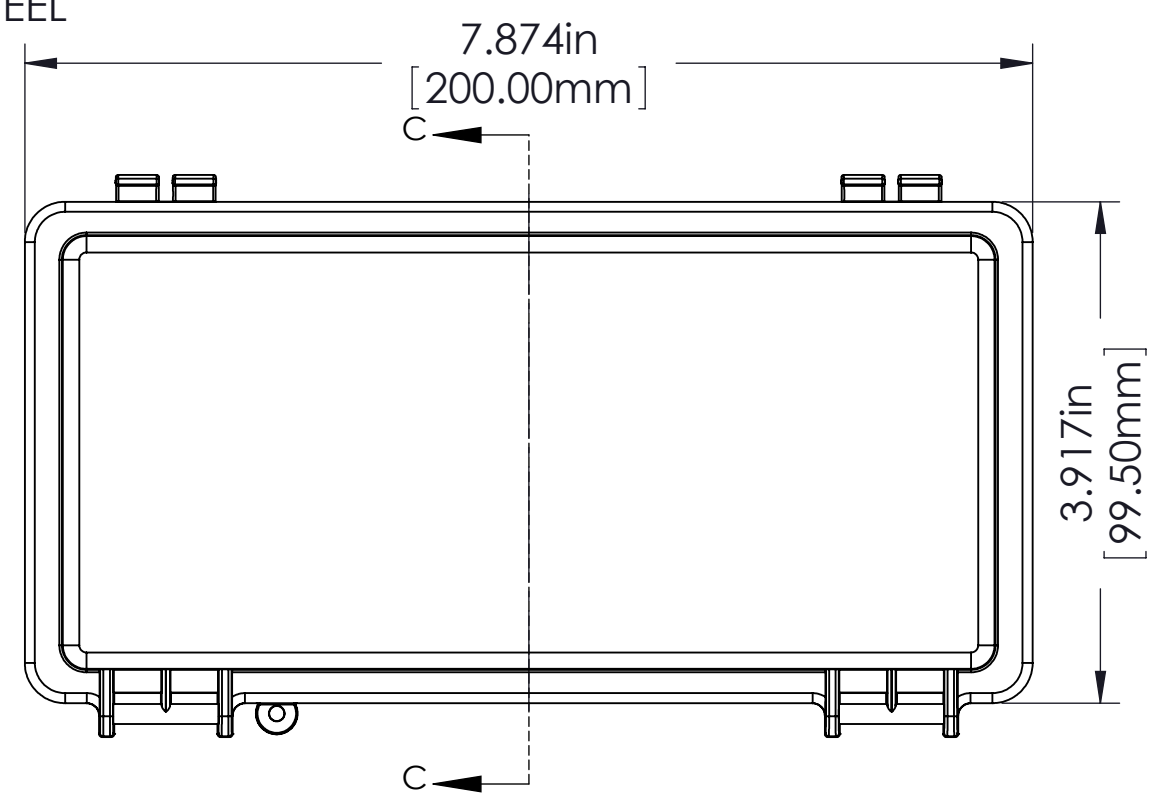
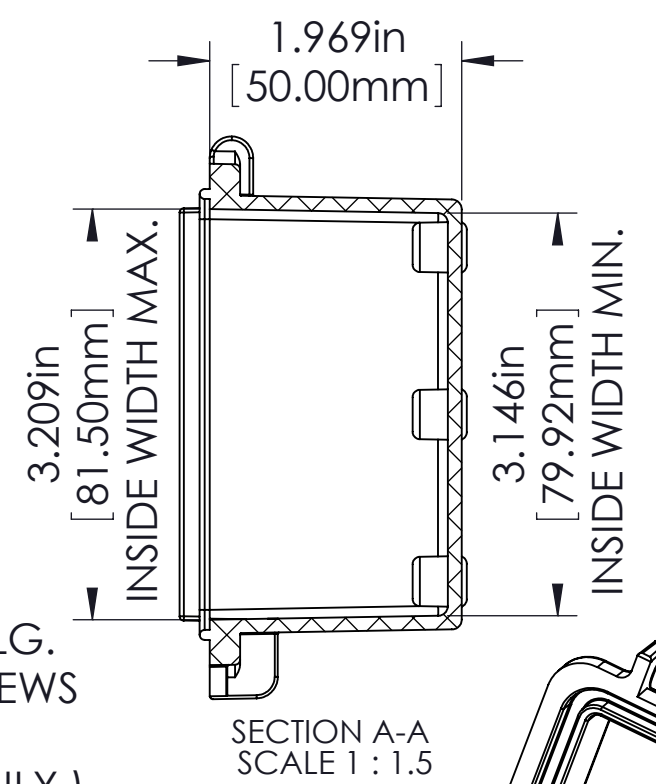
FINISH:  
 BODY \_\_\_\_\_ LIGHT GRAY  
 COVER \_\_\_\_\_ LIGHT GRAY OR CLEAR  
 LATCHES & HINGES \_\_\_\_\_ PLASTIC  
 WALL MOUNTING BRACKETS \_\_\_\_\_ STAINLESS STEEL  
 & HARDWARE

## COVER

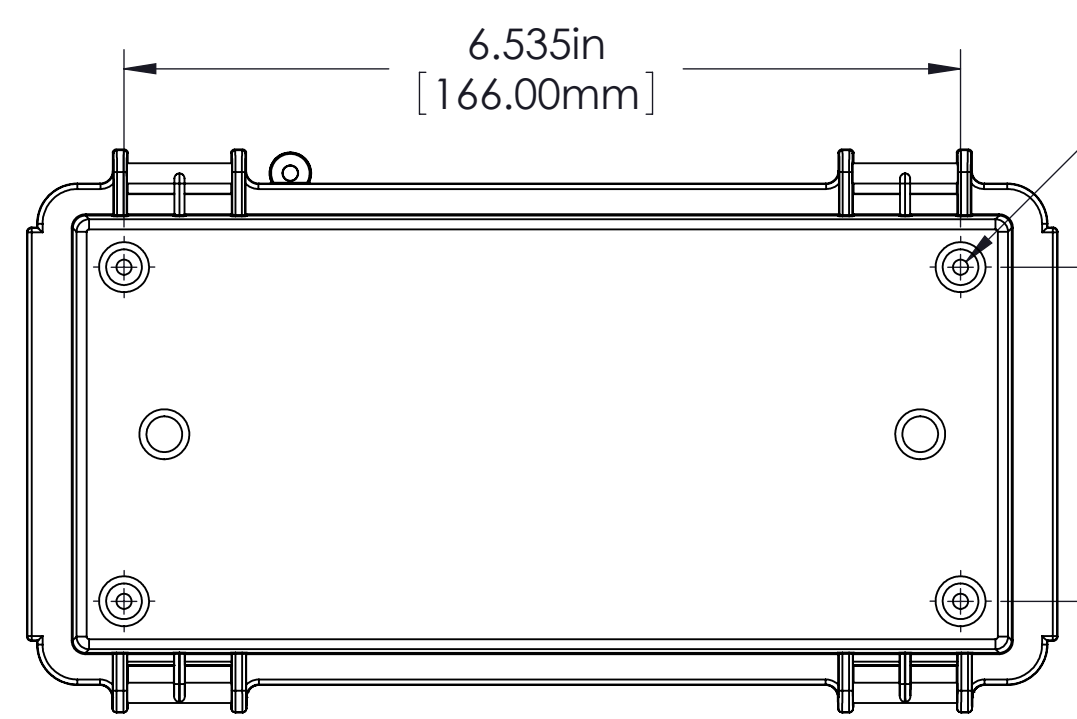
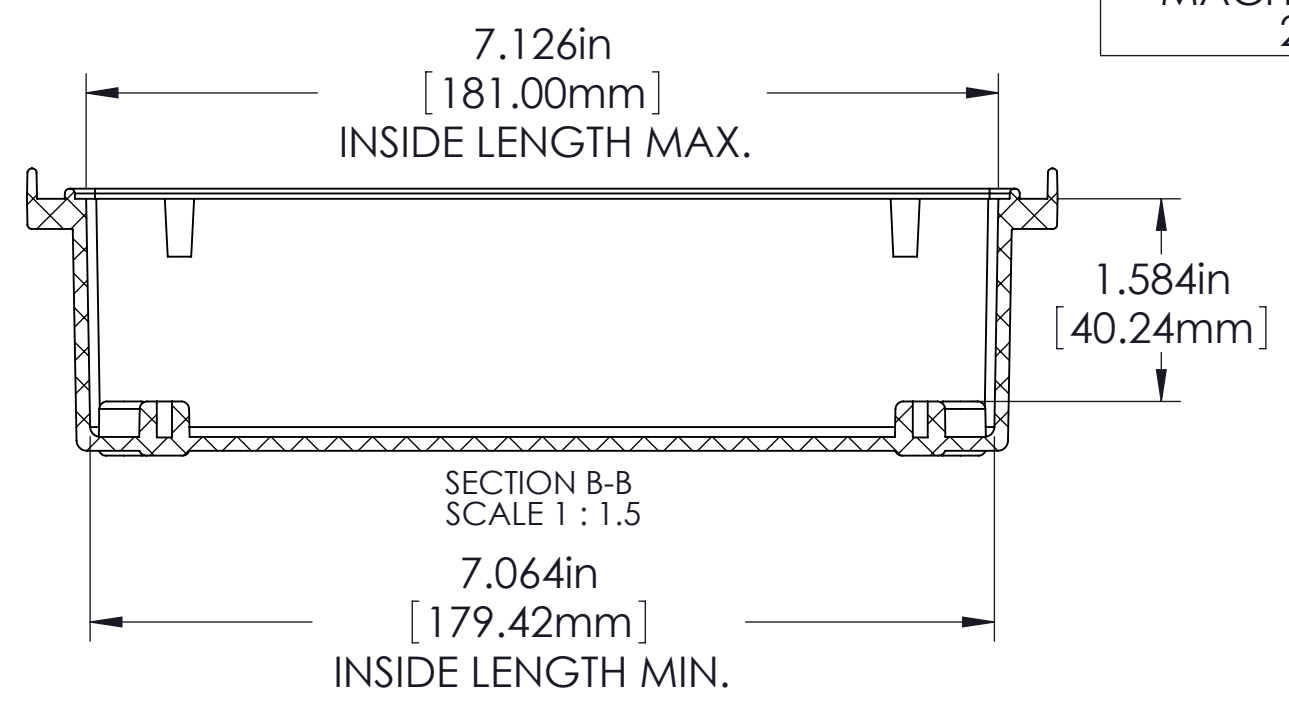
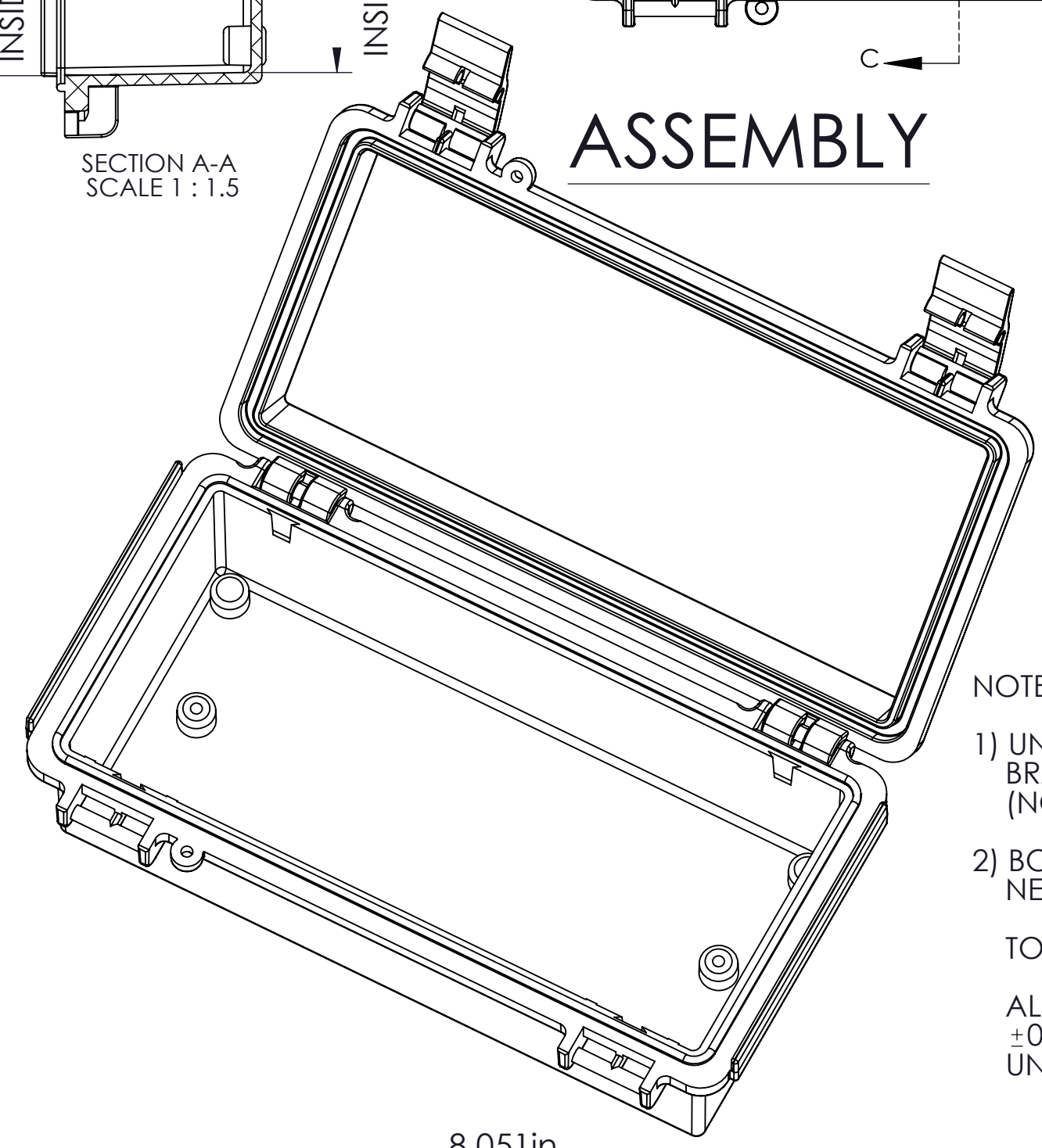


## BODY

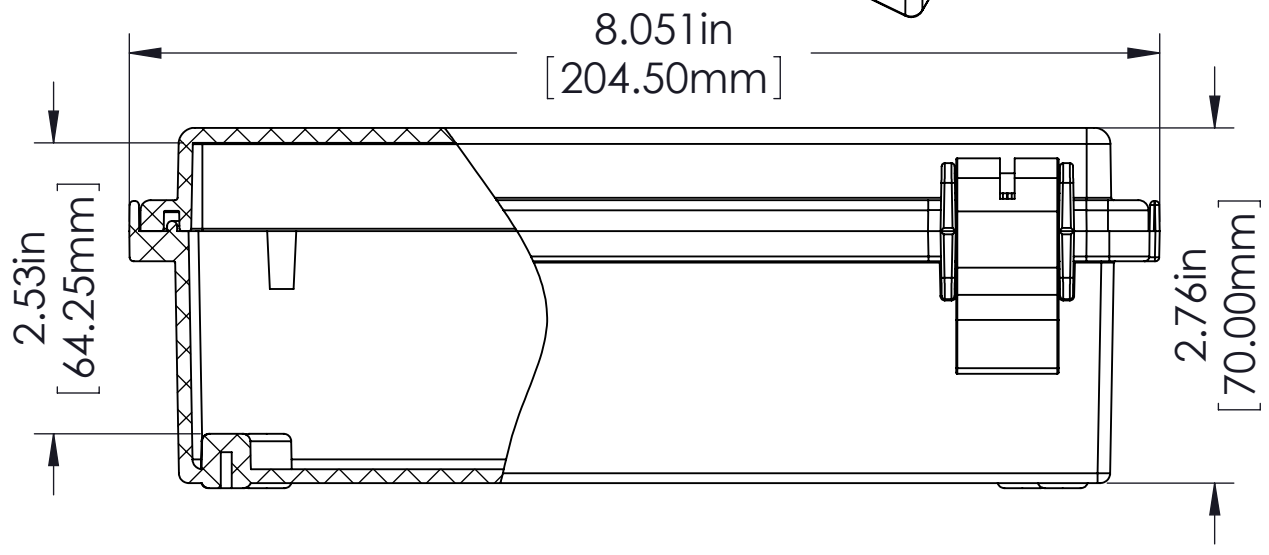
Ø.118in [3.00mm]  
 FOR M4 x 10mm LG. SELF-TAPPING SCREWS 2 PLCS.  
 ( ABS VERSIONS ONLY )  
 M4 THREADED INSERTS ON ALL OTHER VERSIONS USE M4 x 8mm LG. MACHINE SCREWS. 2 PLCS.



## ASSEMBLY



Ø.118in [3.00mm]  
 FOR M4 x 10mm LG. SELF-TAPPING SCREWS 4 PLCS.



**NOTES:**

- 1) UNIT COMES COMPLETE WITH (4) WALL MOUNTING BRACKETS & (4) M4 x 10mm LG. SELF-TAPPING SCREWS. (NOT SHOWN)
- 2) BOXES DESIGNED TO MEET FOLLOWING STANDARDS: NEMA 1,2,4,4X AND IEC529-IP65 REQUIREMENTS.

**TOLERANCES:**

ALL DIMENSIONS HAVE ±0.039in. [±1mm] TOLERANCE UNLESS OTHERWISE SPECIFIED.

PART NO.	MATERIAL		USE
	BODY	COVER	
NBF-32006	ABS	ABS	INDOOR
NBF-32106	ABS / PC	ABS / PC	INDOOR
NBF-32206	ABS / PC	CLEAR PC	INDOOR
NBF-32306	PBT / PC	PBT / PC	OUTDOOR
NBF-32406	PBT / PC	CLEAR PC	OUTDOOR