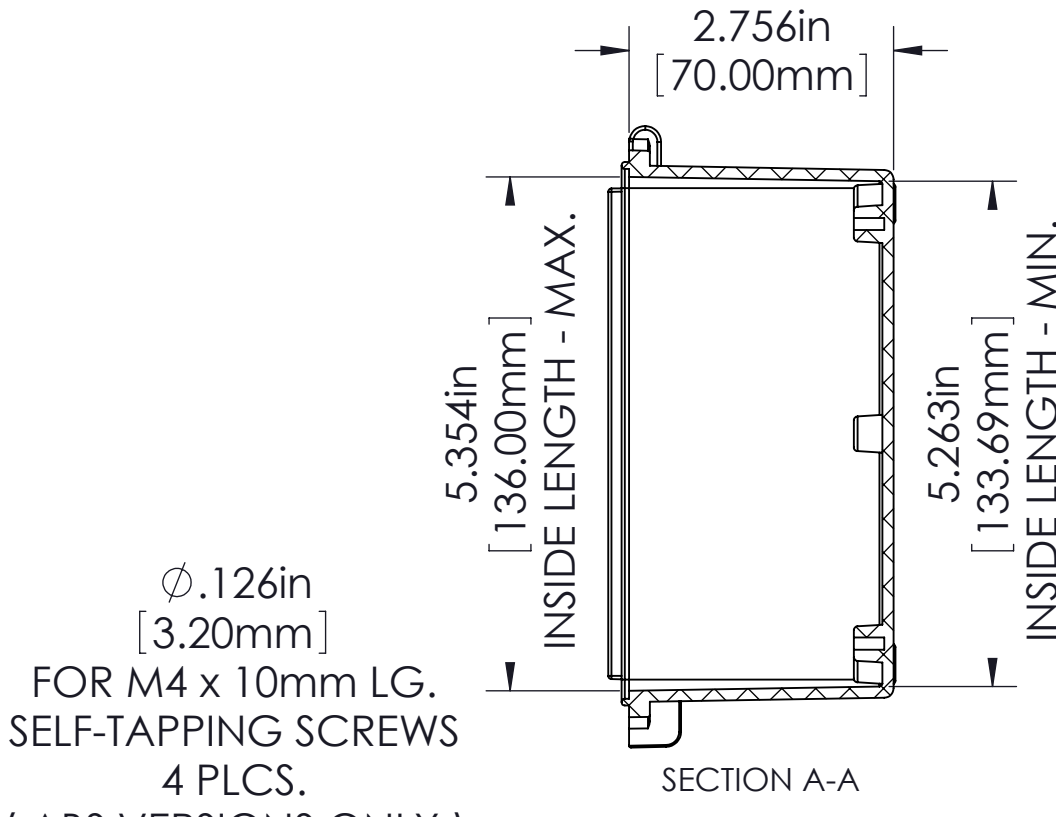
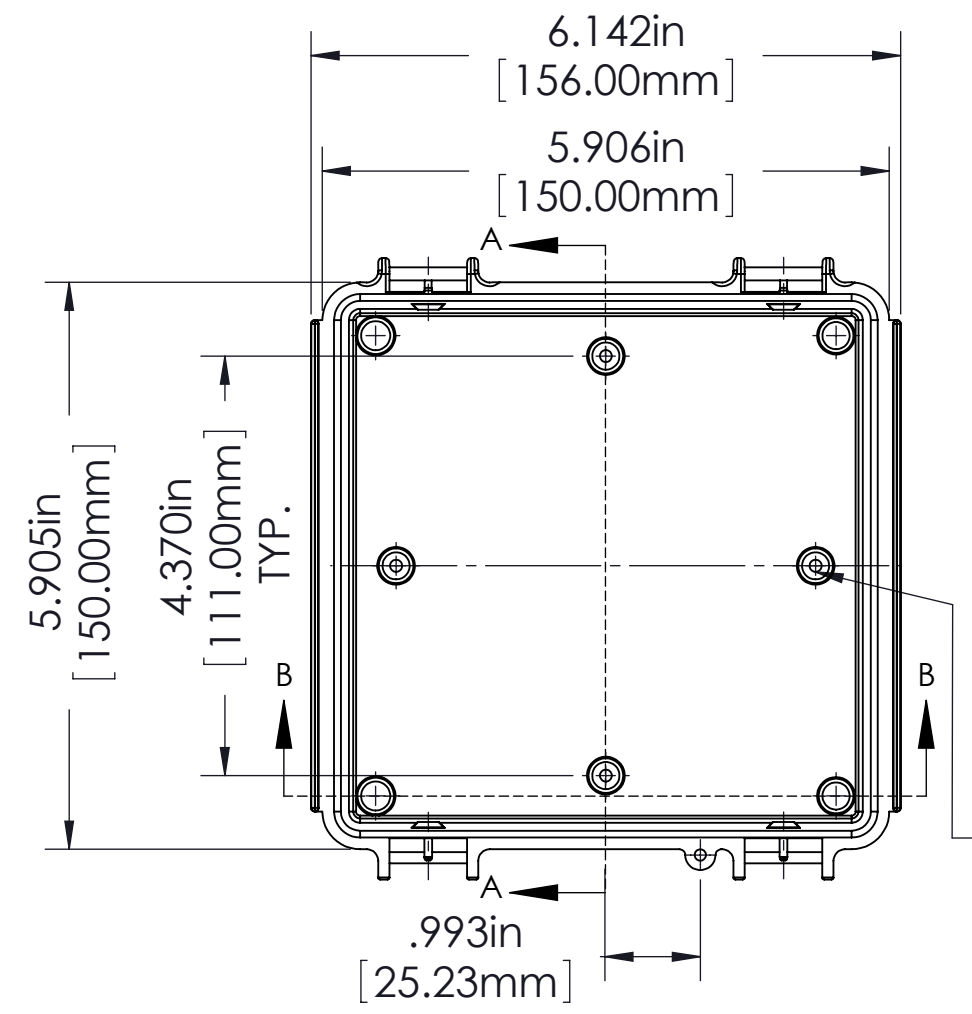


PART NAME	NBF SERIES PLASTIC NEMA BOX	PART No.	NBF-32010 & NBF-32110 & NBF-32210 & NBF-32310 & NBF-32410	REVISION DATE	9/1/2010
-----------	-----------------------------	----------	---	---------------	----------

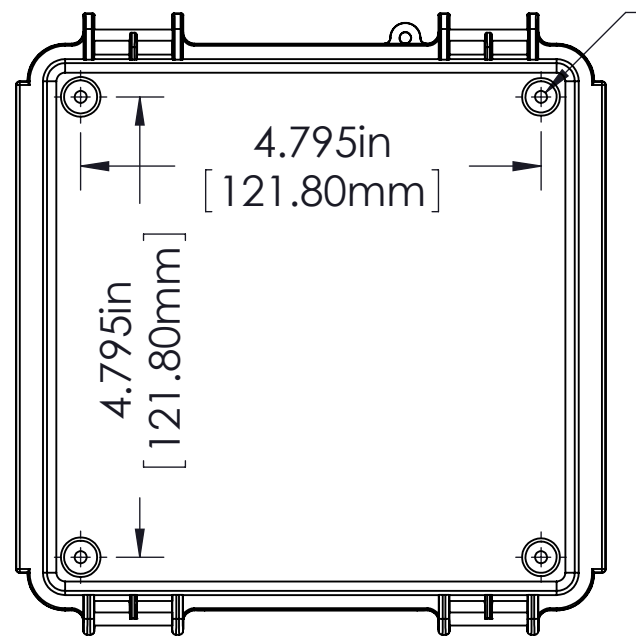
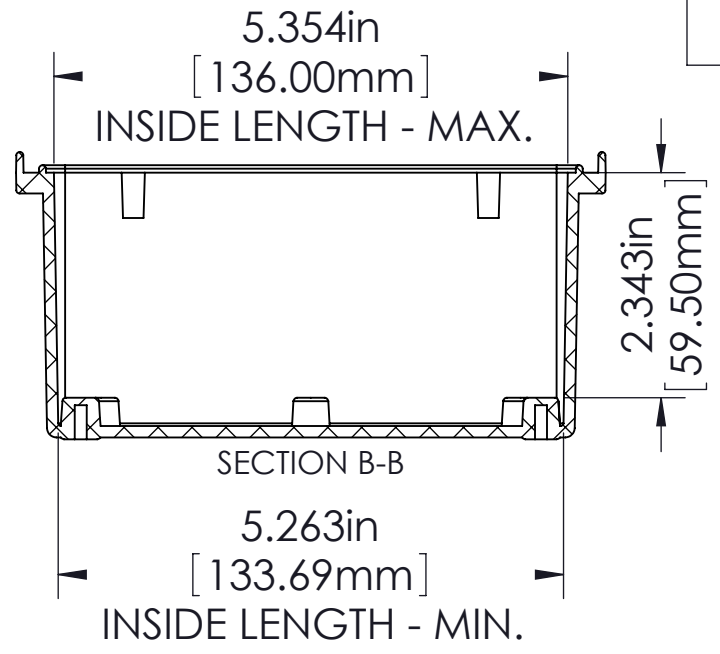
MATERIAL	FLAMMABILITY RATING	CONTINUOUS OPERATING TEMP.
ABS	UL94-HB	-40°C ~ +60°C / -40°F ~ 140°F
CLEAR PC	UL94-V0 UV STABILIZED	-40°C ~ +130°C / -40°F ~ 266°F
ABS / PC BLEND	UL94-5VA	-40°C ~ +85°C / -40°F ~ 185°F
PBT / PC BLEND	UL94-5VA + UV (f1)	-40°C ~ +75°C / -40°F ~ 167°F

FINISH:  
 BODY \_\_\_\_\_ LIGHT GRAY  
 COVER \_\_\_\_\_ LIGHT GRAY OR CLEAR  
 LATCHES & HINGES \_\_\_\_\_ PLASTIC  
 WALL MOUNTING BRACKETS\_\_ STAINLESS STEEL  
 & HARDWARE

## BODY

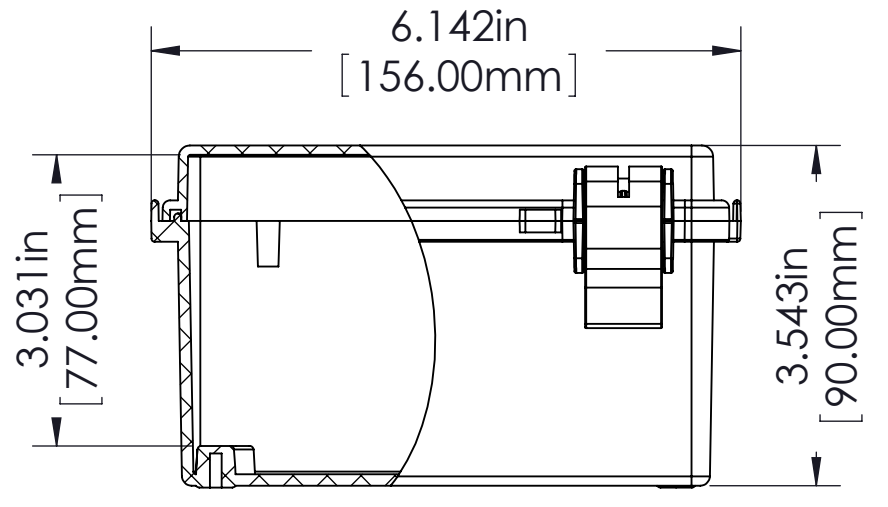
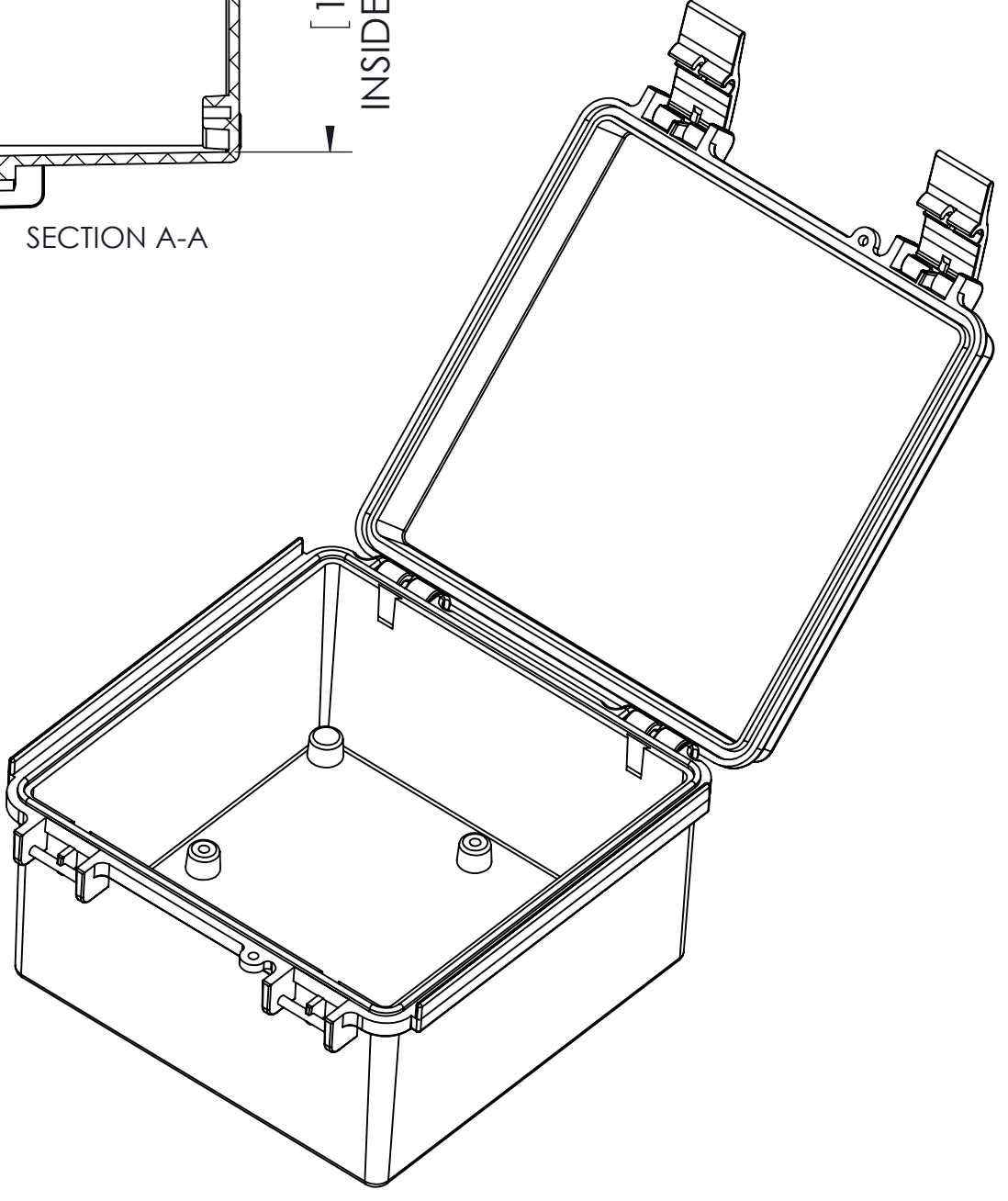


Ø.126in [3.20mm]  
 FOR M4 x 10mm LG. SELF-TAPPING SCREWS  
 4 PLCS.  
 ( ABS VERSIONS ONLY )  
 M4 THREADED INSERTS  
 ON ALL OTHER VERSIONS  
 USE M4 x 8mm LG. MACHINE SCREWS.  
 2 PLCS.

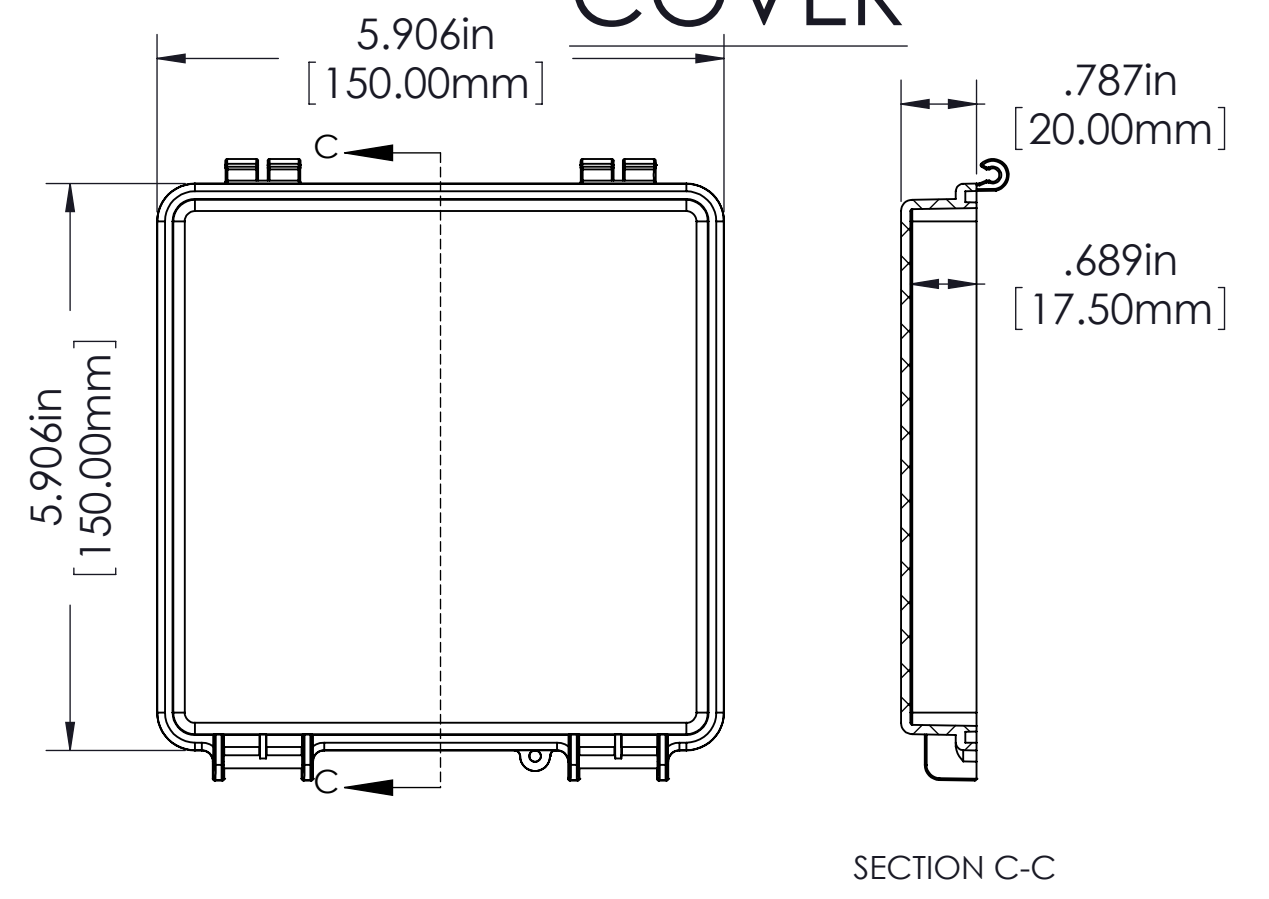


Ø.126in [3.20mm]  
 FOR M4 x 10mm LG. SELF-TAPPING SCREWS  
 4 PLCS.

## ASSEMBLY



## COVER



### NOTES:

- UNIT COMES COMPLETE WITH: (4) WALL MOUNTING BRACKETS & (4) M4 x 10mm LG. SELF-TAPPING SCREWS. (NOT SHOWN)
- BOXES DESIGNED TO MEET FOLLOWING STANDARDS: NEMA 1,2,4,4X, AND IEC529-IP65 REQUIREMENTS.

### TOLERANCES:

ALL DIMENSIONS HAVE ±0.039in [±1mm] TOLERANCE UNLESS OTHERWISE SPECIFIED.

PART NO.	MATERIAL		USE
	BODY	COVER	
NBF-32010	ABS	ABS	INDOOR
NBF-32110	ABS / PC	ABS / PC	INDOOR
NBF-32210	ABS / PC	CLEAR PC	INDOOR
NBF-32310	PBT / PC	PBT / PC	OUTDOOR
NBF-32410	PBT / PC	CLEAR PC	OUTDOOR