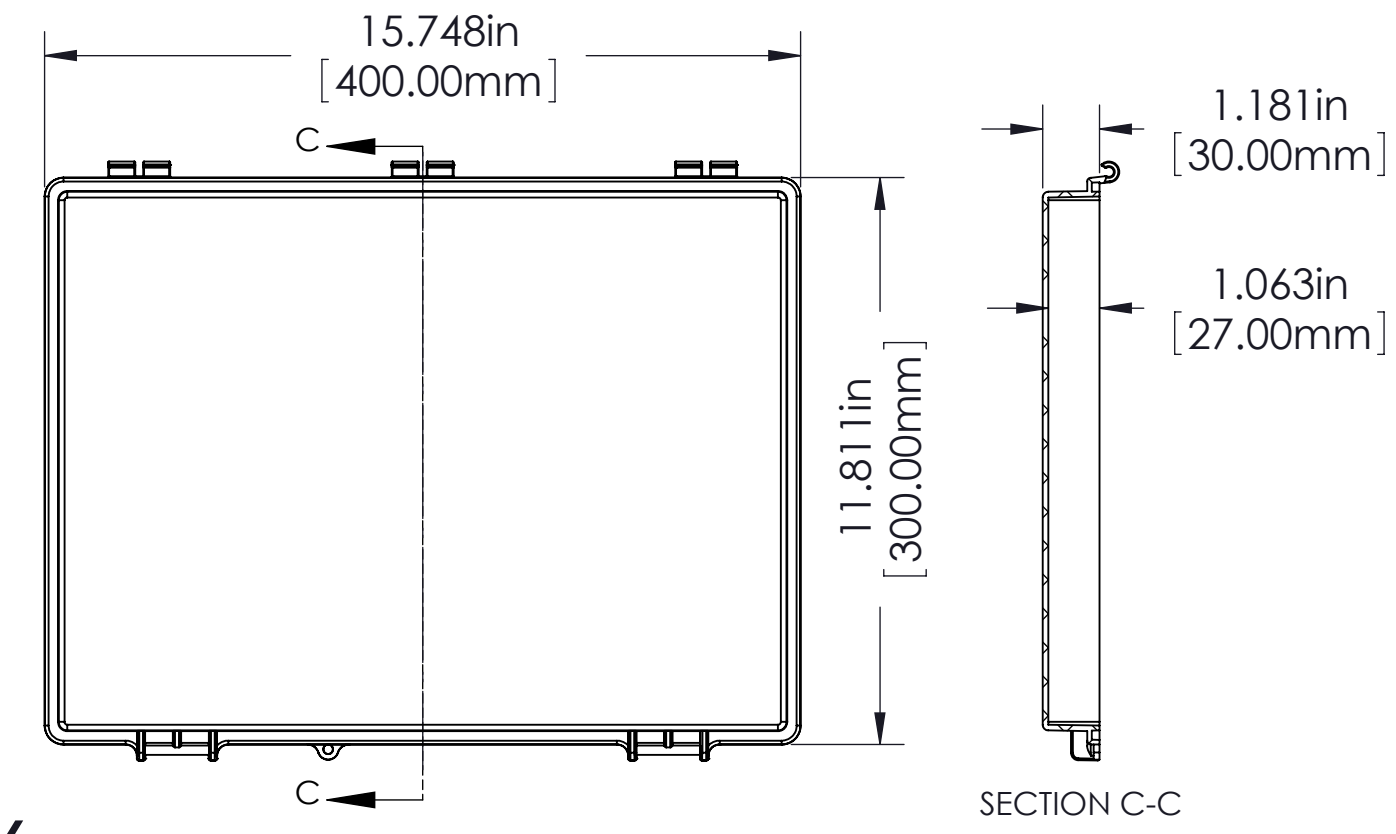


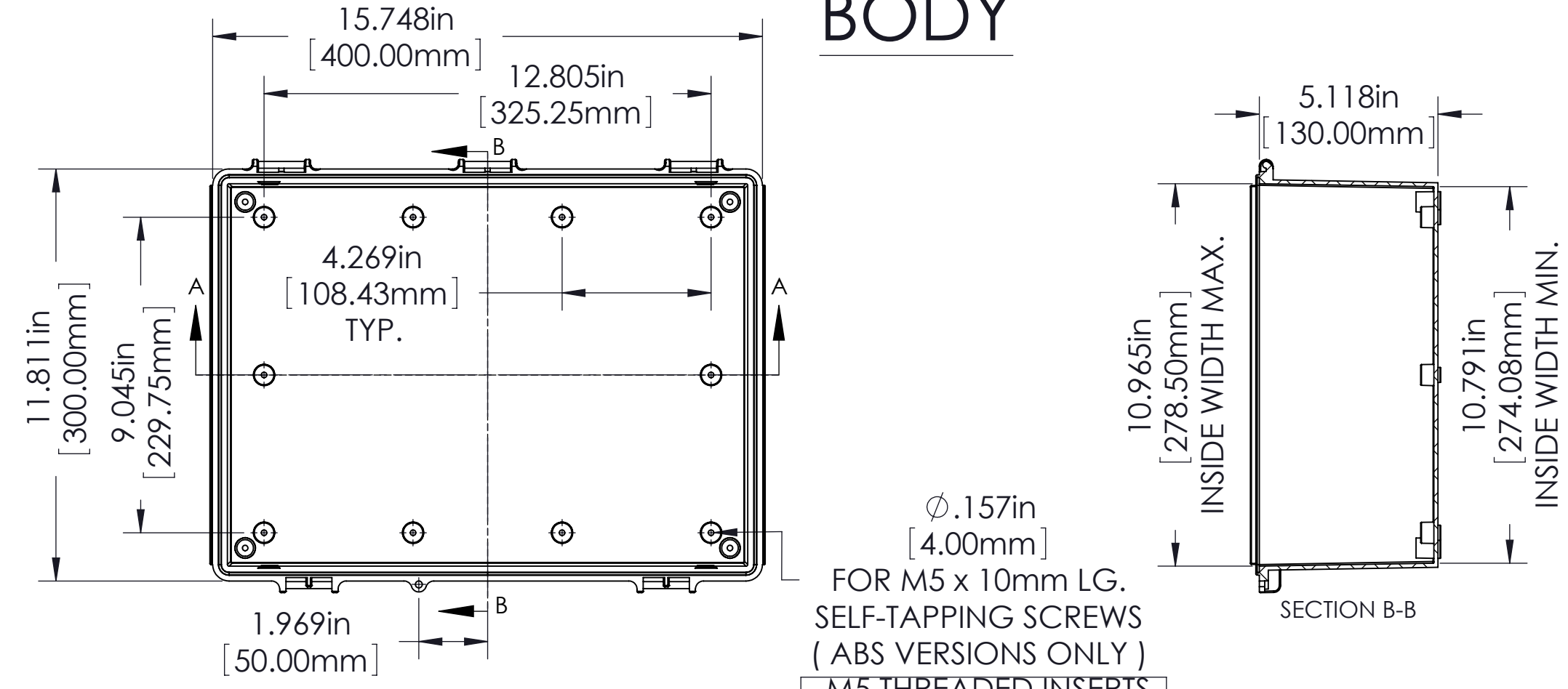
| MATERIAL       | FLAMMABILITY RATING   | CONTINUOUS OPERATING TEMP.     |
|----------------|-----------------------|--------------------------------|
| ABS            | UL94-HB               | -40°C ~ +60°C / -40°F ~ 140°F  |
| CLEAR PC       | UL94-V0 UV STABILIZED | -40°C ~ +130°C / -40°F ~ 266°F |
| ABS / PC BLEND | UL94-5VA              | -40°C ~ +85°C / -40°F ~ 185°F  |
| PBT / PC BLEND | UL94-5VA + UV (f1)    | -40°C ~ +75°C / -40°F ~ 167°F  |

FINISH:  
 BODY \_\_\_\_\_ LIGHT GRAY  
 COVER \_\_\_\_\_ LIGHT GRAY OR CLEAR  
 LATCHES & HINGES \_\_\_\_\_ PLASTIC  
 WALL MOUNTING BRACKETS \_\_\_\_\_ STAINLESS STEEL & HARDWARE

## COVER

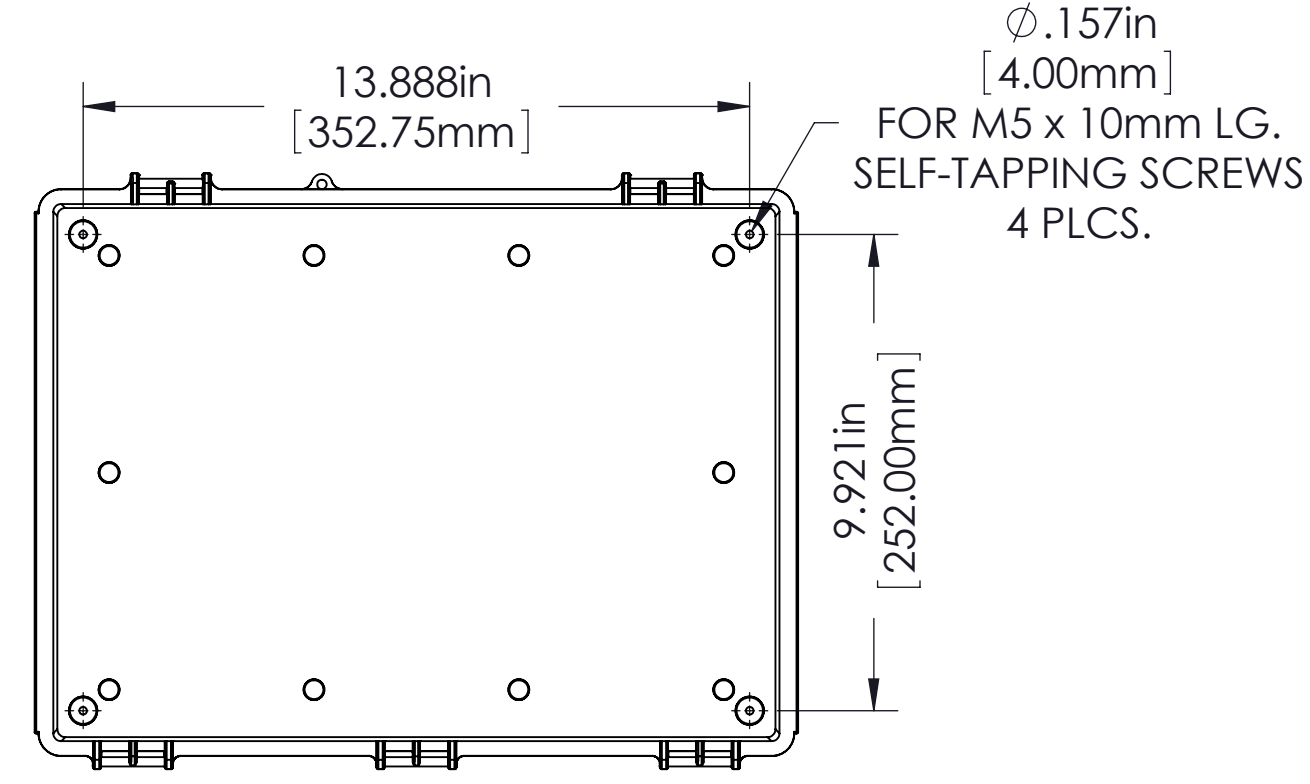
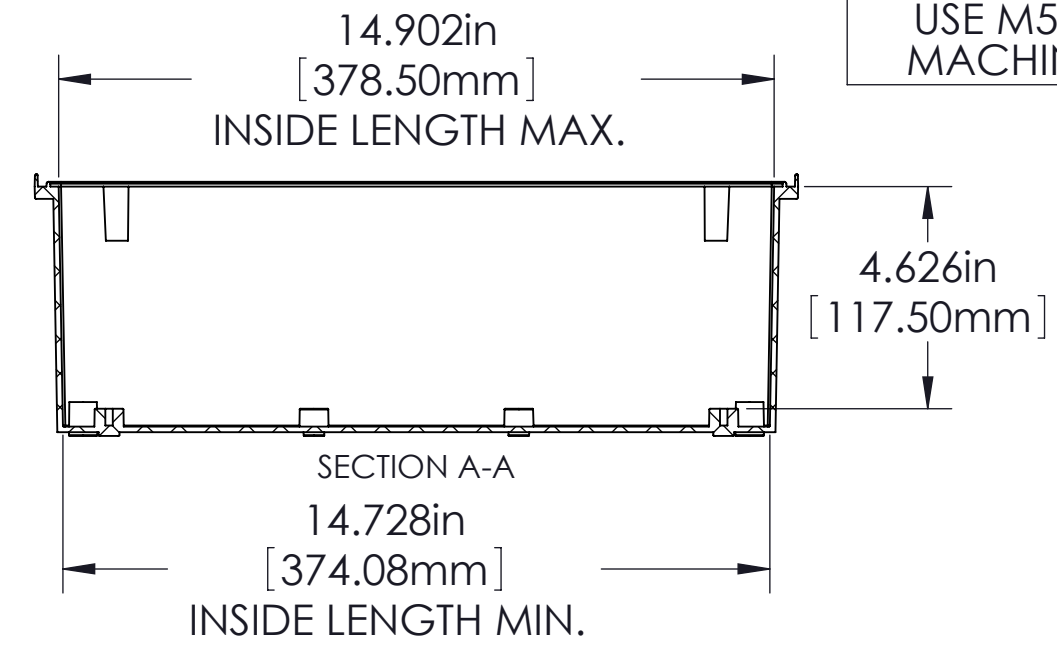
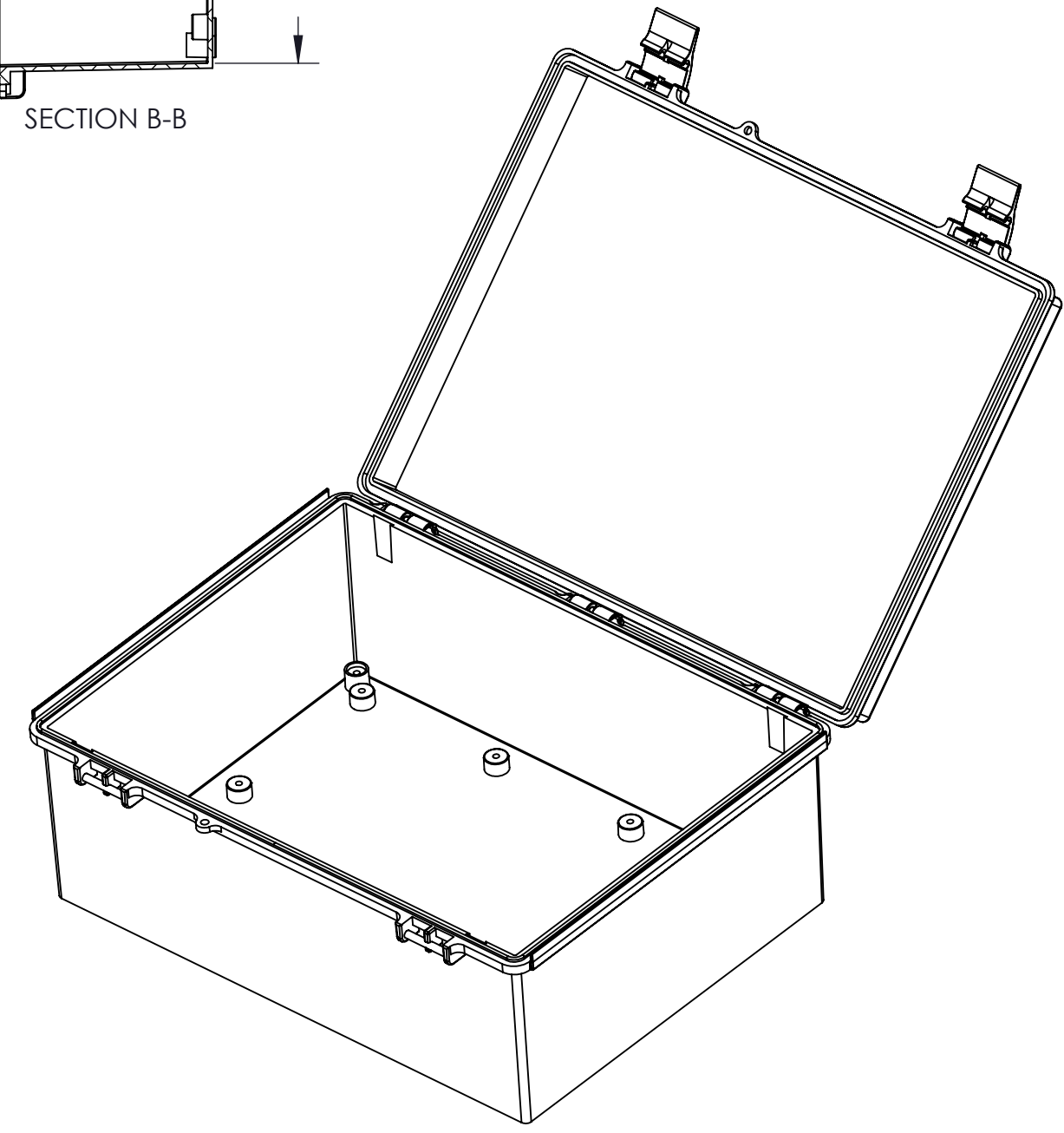


## BODY

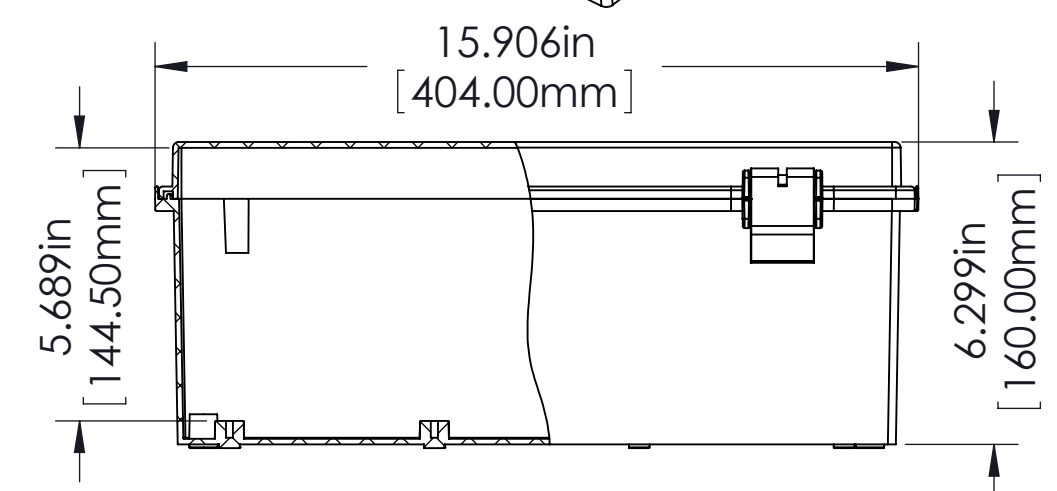


$\phi$ .157in [4.00mm]  
 FOR M5 x 10mm LG. SELF-TAPPING SCREWS (ABS VERSIONS ONLY)  
 M5 THREADED INSERTS ON ALL OTHER VERSIONS USE M5 x 8mm LG. MACHINE SCREWS.

## ASSEMBLY



$\phi$ .157in [4.00mm]  
 FOR M5 x 10mm LG. SELF-TAPPING SCREWS 4 PLCS.



**NOTES:**

- 1) UNIT COMES COMPLETE WITH (4) WALL MOUNTING BRACKETS & (4) M5 x 10mm LG. SELF-TAPPING SCREWS. (NOT SHOWN)
- 2) BOXES DESIGNED TO MEET FOLLOWING STANDARDS: NEMA 1, 2, 4, 4X, AND IEC529-IP65 REQUIREMENTS.

**TOLERANCE:**

ALL DIMENSIONS HAVE  $\pm 0.039$ in [ $\pm 1$ mm] TOLERANCE UNLESS OTHERWISE SPECIFIED.

| PART NO.  | MATERIAL |          | USE     |
|-----------|----------|----------|---------|
|           | BODY     | COVER    |         |
| NBF-32026 | ABS      | ABS      | INDOOR  |
| NBF-32126 | ABS / PC | ABS / PC | INDOOR  |
| NBF-32226 | ABS / PC | CLEAR PC | INDOOR  |
| NBF-32326 | PBT / PC | PBT / PC | OUTDOOR |
| NBF-32426 | PBT / PC | CLEAR PC | OUTDOOR |