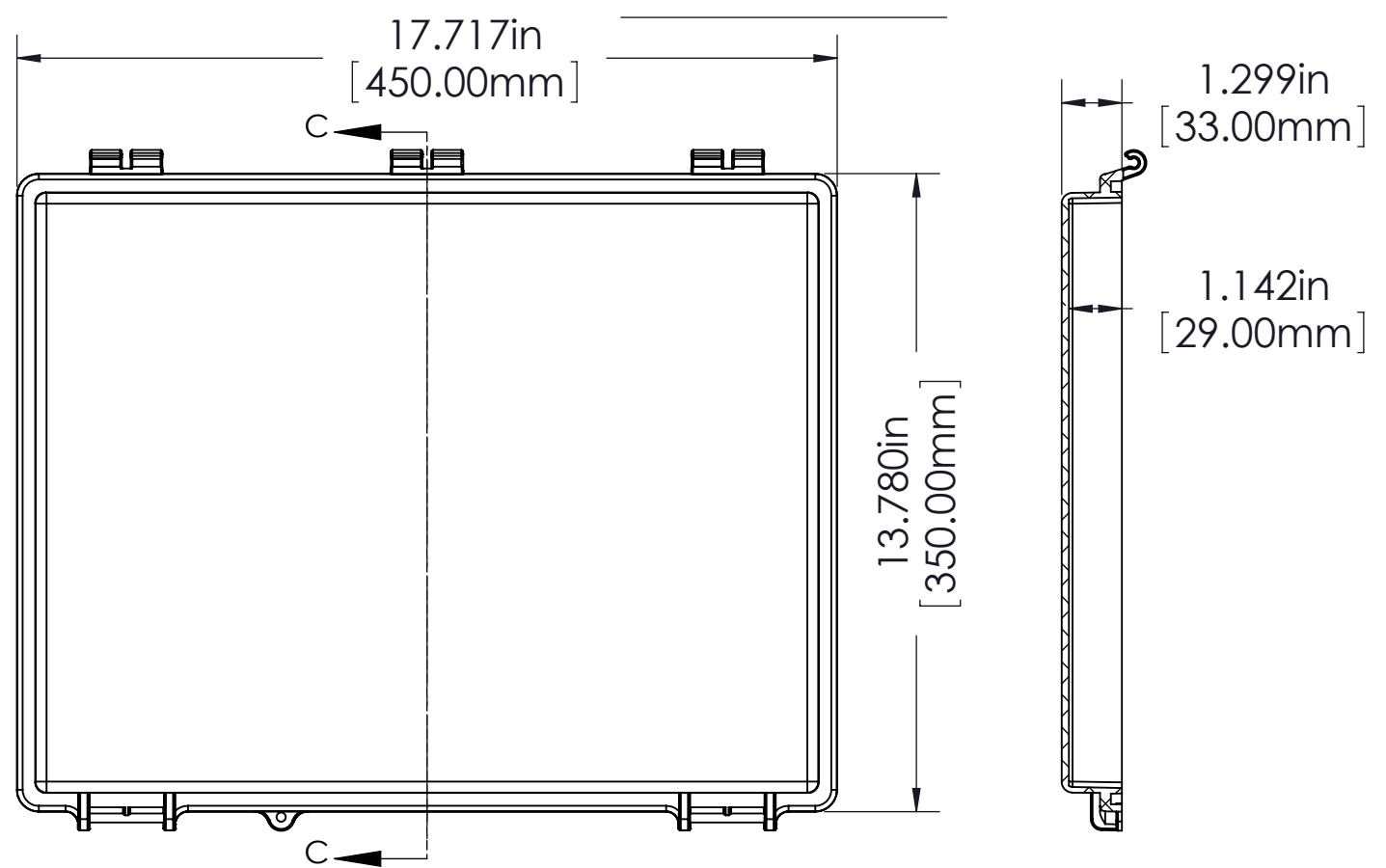


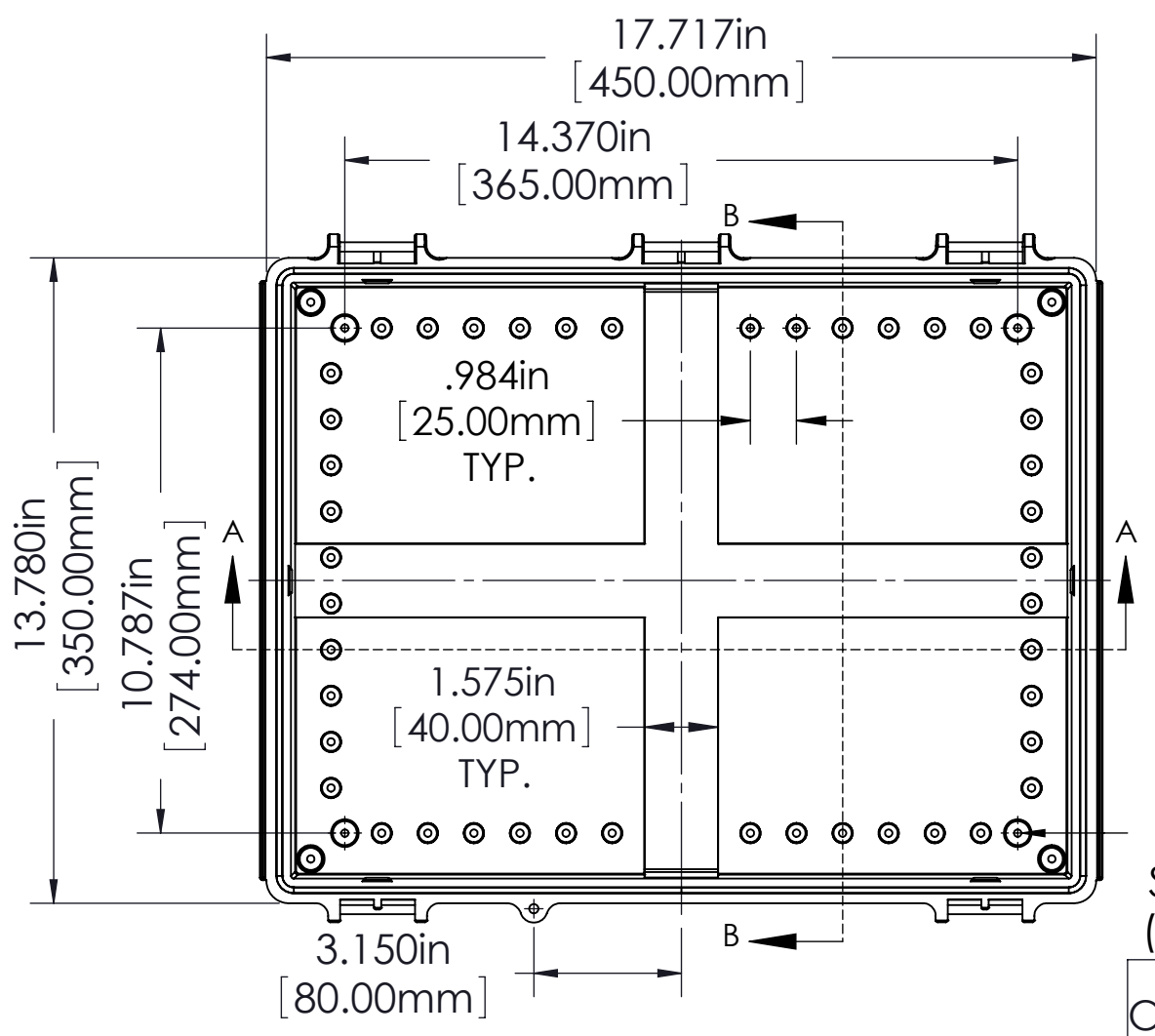
| MATERIAL | FLAMMABILITY RATING | CONTINUOUS OPERATING TEMP. |
|----------------|-----------------------|--------------------------------|
| ABS | UL94-HB | -40°C ~ +60°C / -40°F ~ 140°F |
| CLEAR PC | UL94-V0 UV STABILIZED | -40°C ~ +130°C / -40°F ~ 266°F |
| ABS / PC BLEND | UL94-5VA | -40°C ~ +85°C / -40°F ~ 185°F |
| PBT / PC BLEND | UL94-5VA + UV (f1) | -40°C ~ +75°C / -40°F ~ 167°F |

FINISH:
 BODY _____ LIGHT GRAY
 COVER _____ LIGHT GRAY OR CLEAR
 LATCHES & HINGES _____ PLASTIC
 WALL MOUNTING BRACKETS _____ STAINLESS STEEL & HARDWARE

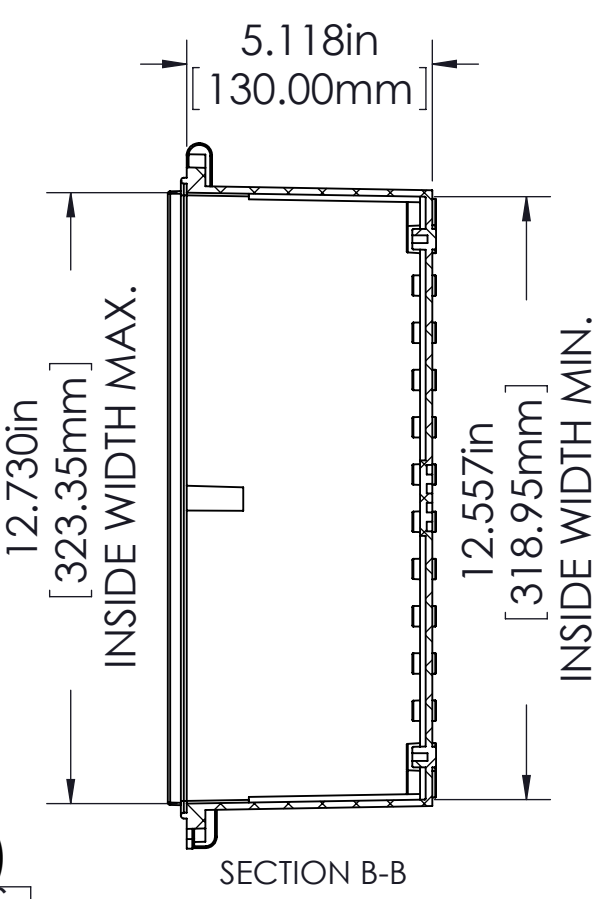
COVER



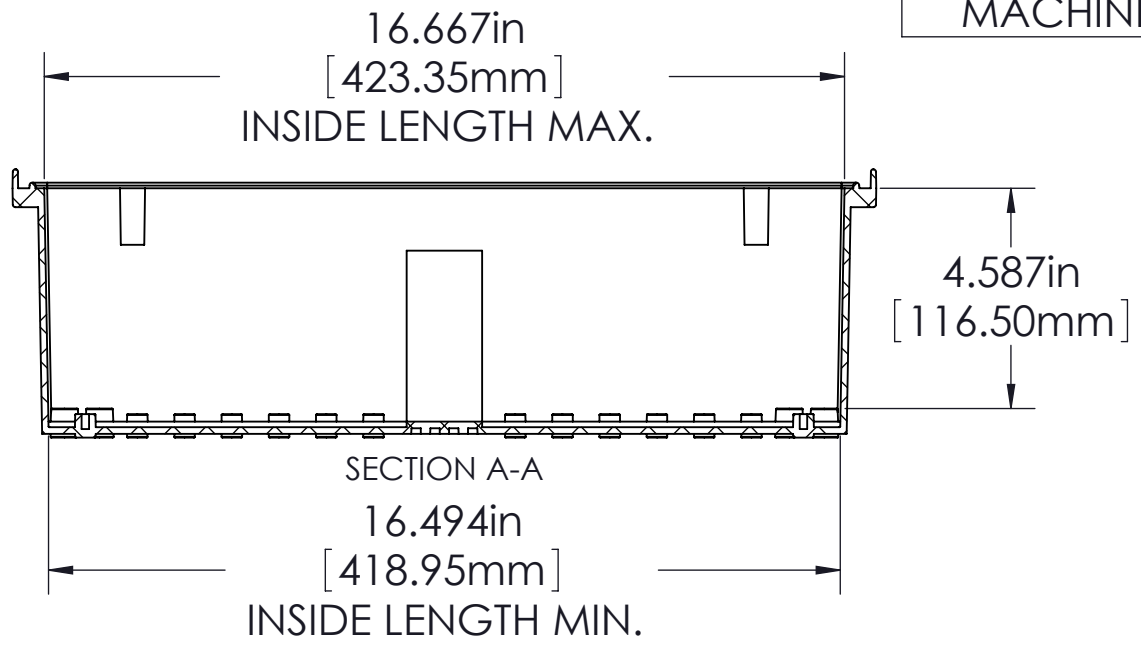
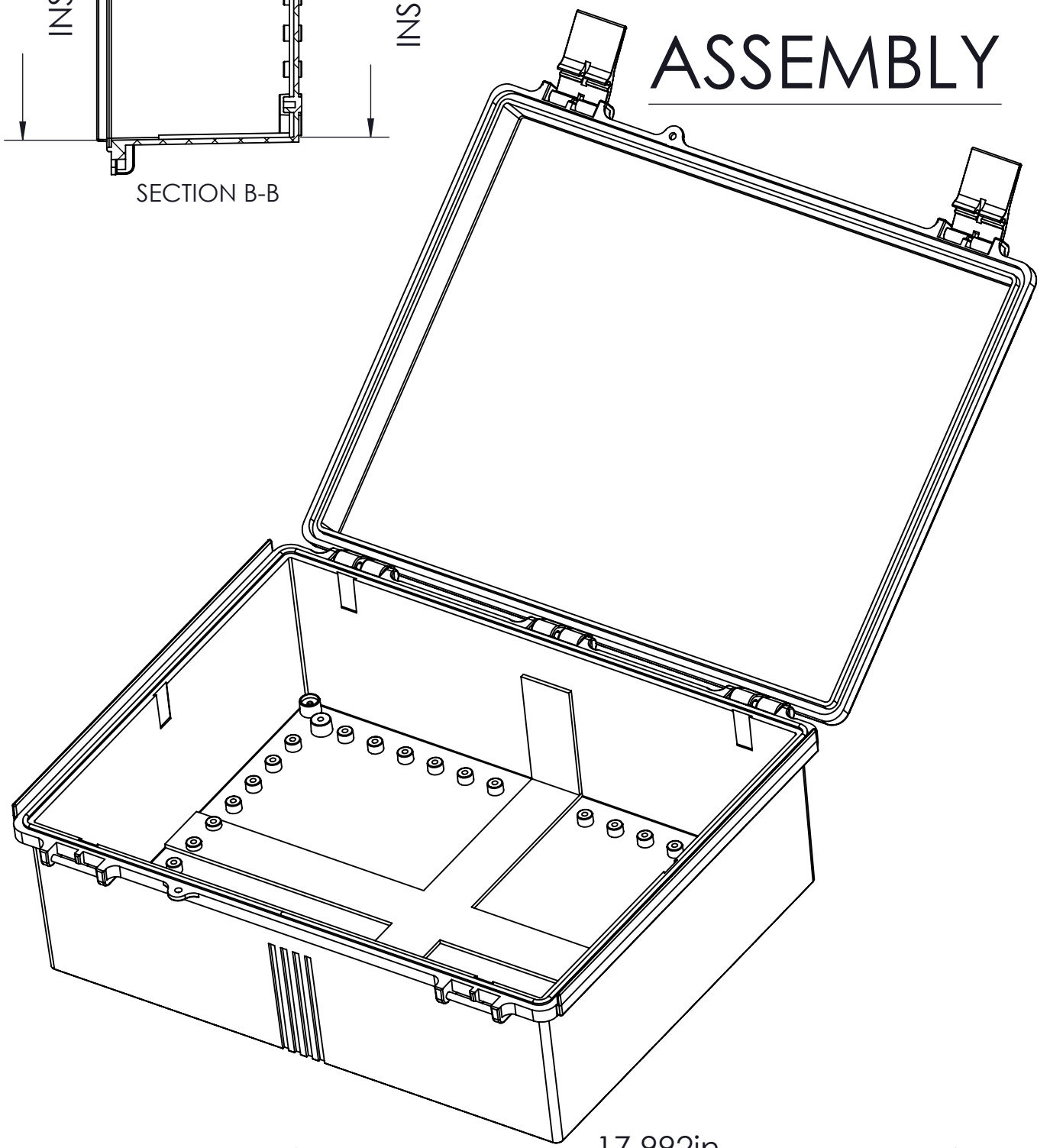
BODY



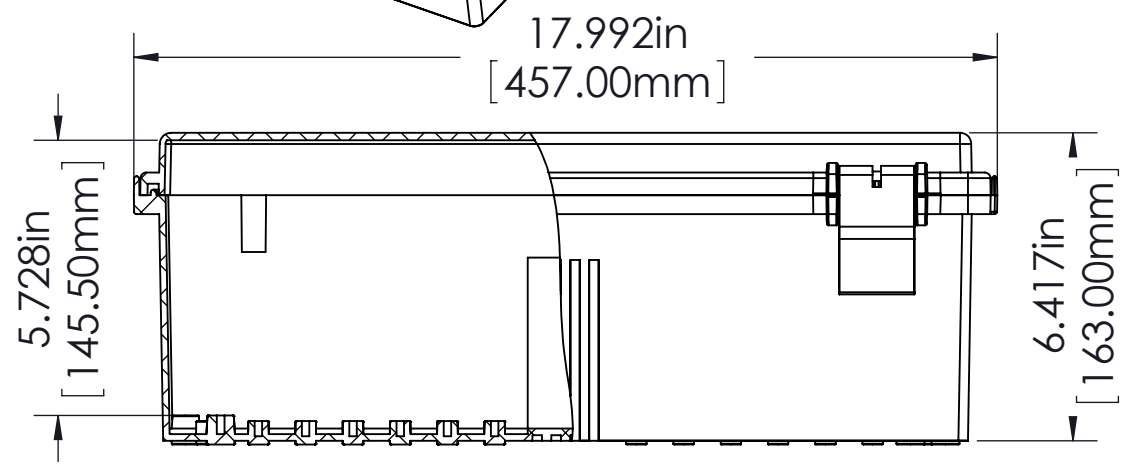
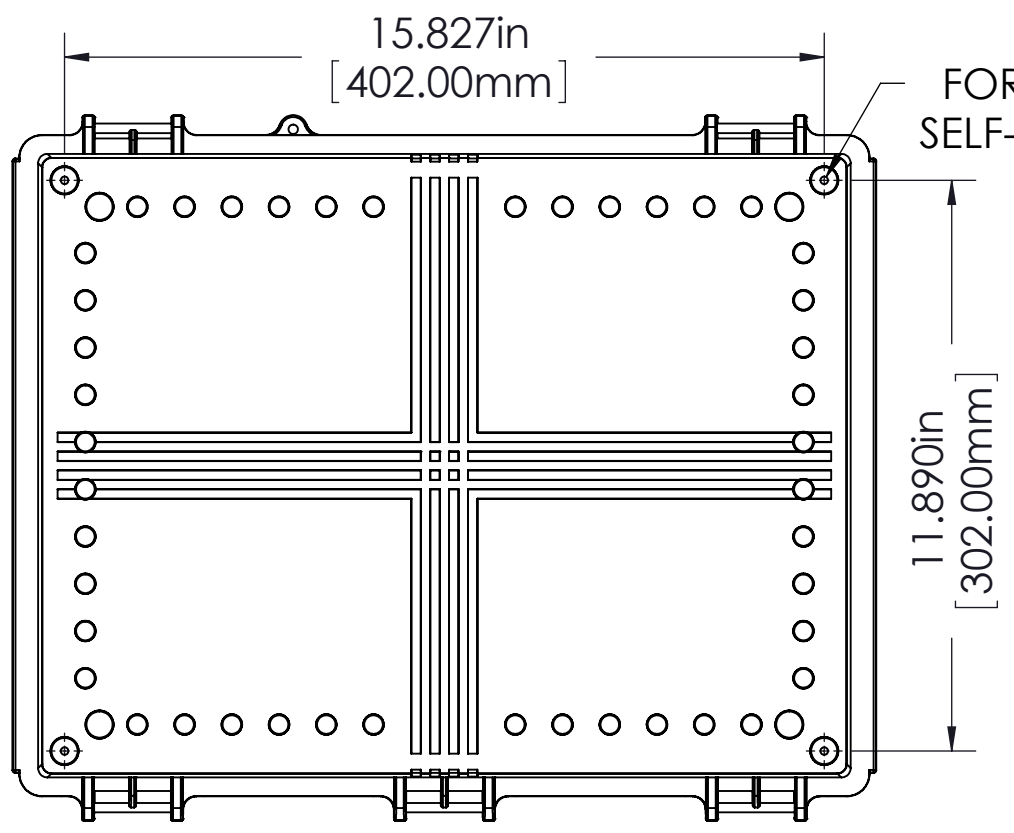
Ø.157in [4.00mm]
 FOR M5 x 10mm LG. SELF-TAPPING SCREWS (ABS VERSIONS ONLY)
 M5 THREADED INSERTS ON ALL OTHER VERSIONS USE M5 x 8mm LG. MACHINE SCREWS.



ASSEMBLY



Ø.157in [4.00mm]
 FOR M5 x 10mm LG. SELF-TAPPING SCREWS 4 PLCS.



NOTES:

- UNIT COMES COMPLETE WITH (4) WALL MOUNTING BRACKETS & (4) M5 x 10mm LG. SELF-TAPPING SCREWS. (NOT SHOWN)
- BOXES DESIGNED FOR THE FOLLOWING STANDARDS: NEMA 1,2,4,4X, AND IEC529-IP65 REQUIREMENTS.

TOLERANCE:

ALL DIMENSIONS HAVE ±0.039in [±1mm] TOLERANCE UNLESS OTHERWISE SPECIFIED.

| PART NO. | MATERIAL | | USE |
|-----------|----------|----------|---------|
| | BODY | COVER | |
| NBF-32028 | ABS | ABS | INDOOR |
| NBF-32128 | ABS / PC | ABS / PC | INDOOR |
| NBF-32228 | ABS / PC | CLEAR PC | INDOOR |
| NBF-32328 | PBT / PC | PBT / PC | OUTDOOR |
| NBF-32428 | PBT / PC | CLEAR PC | OUTDOOR |