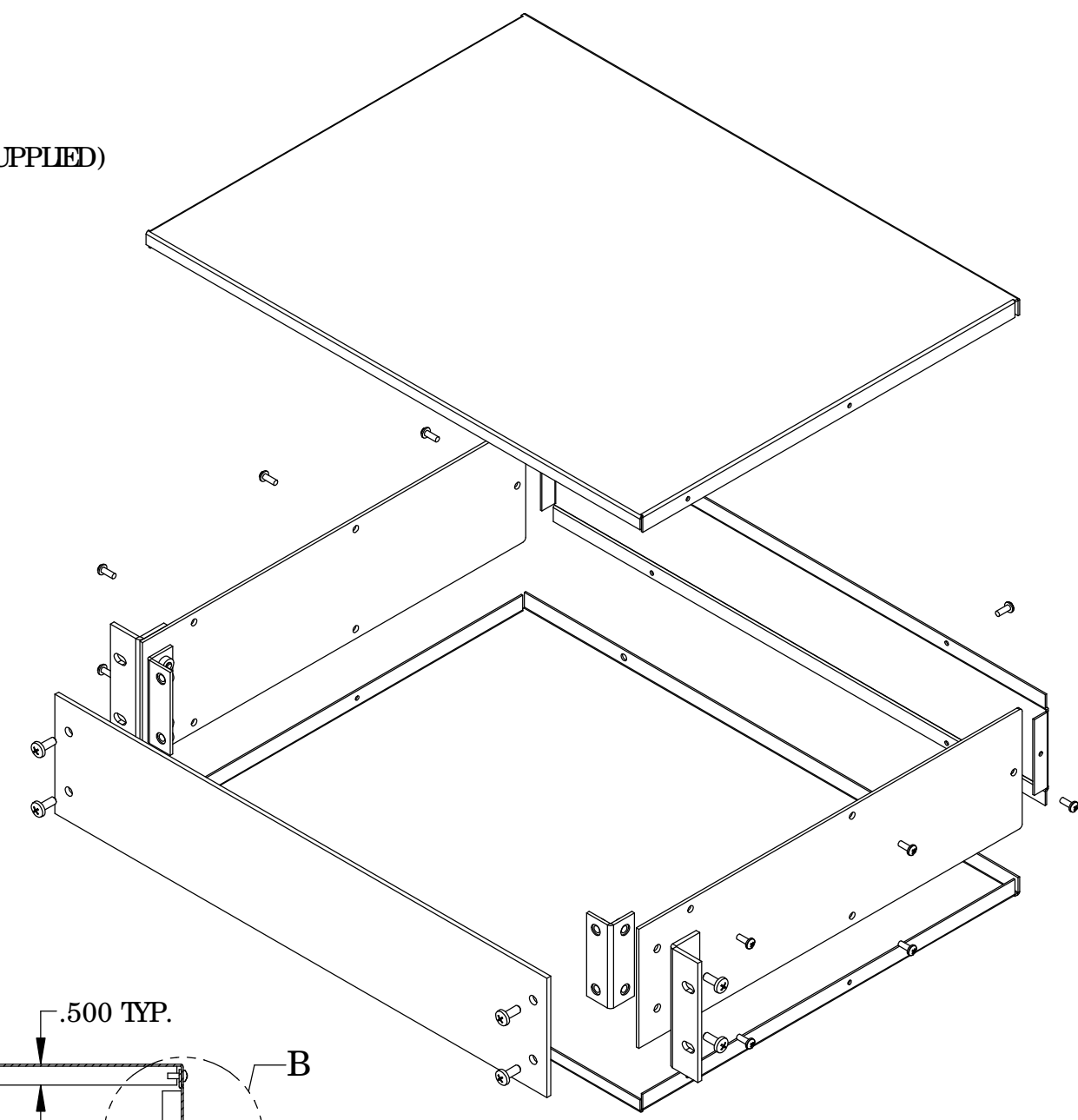
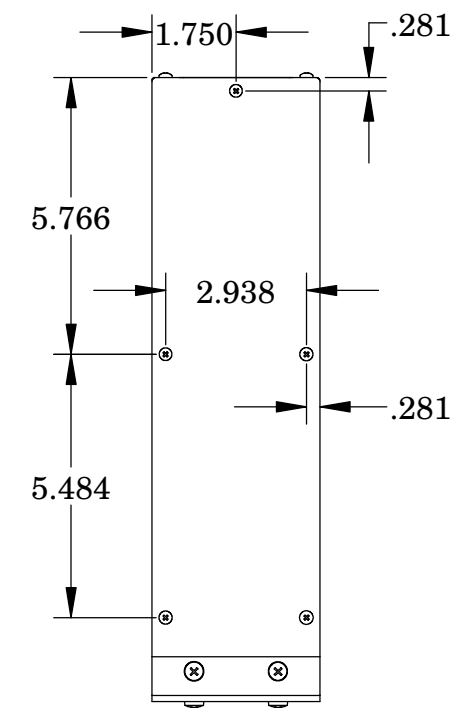
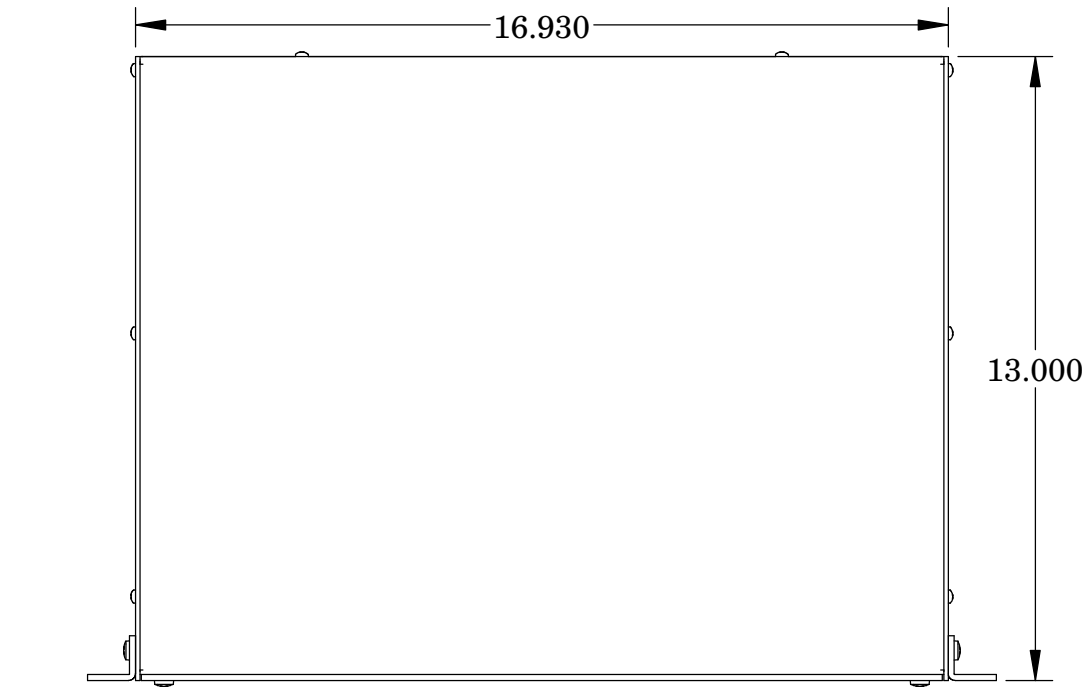
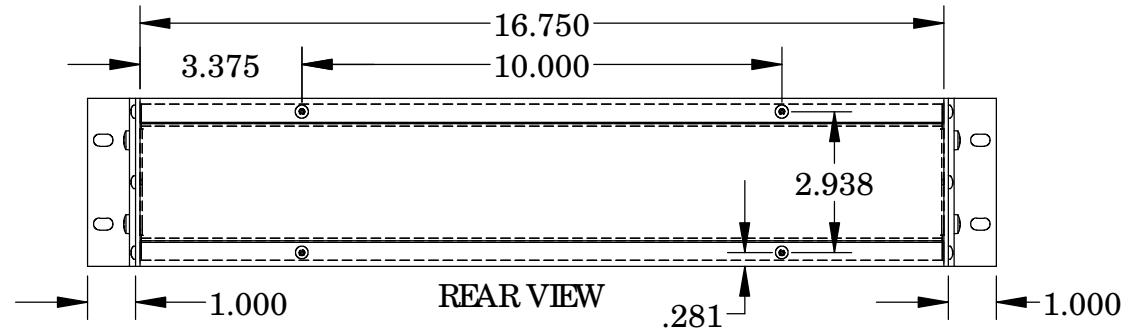


UNIT SHIPPED UNASSEMBLED.

OUTER BRACKETS FOR MOUNTING IN STANDARD 19" WIDE CABINETS.

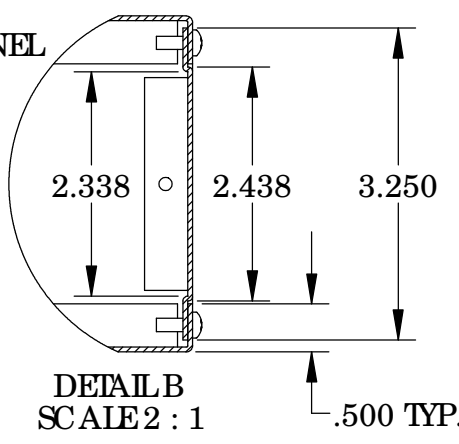
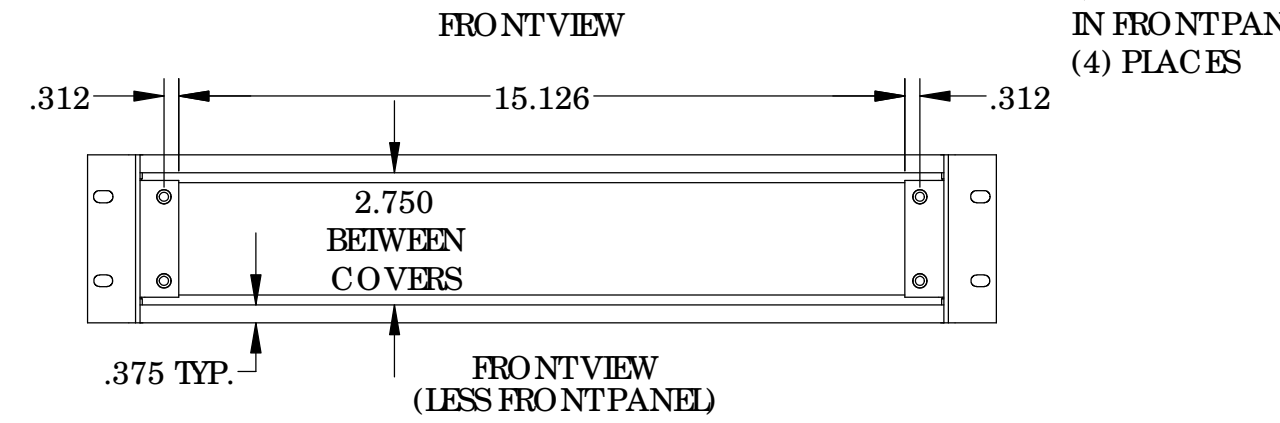
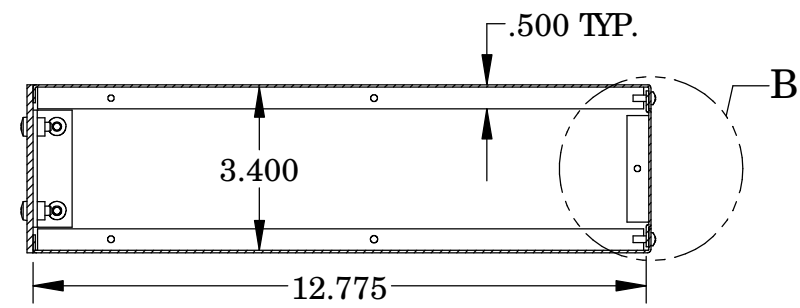
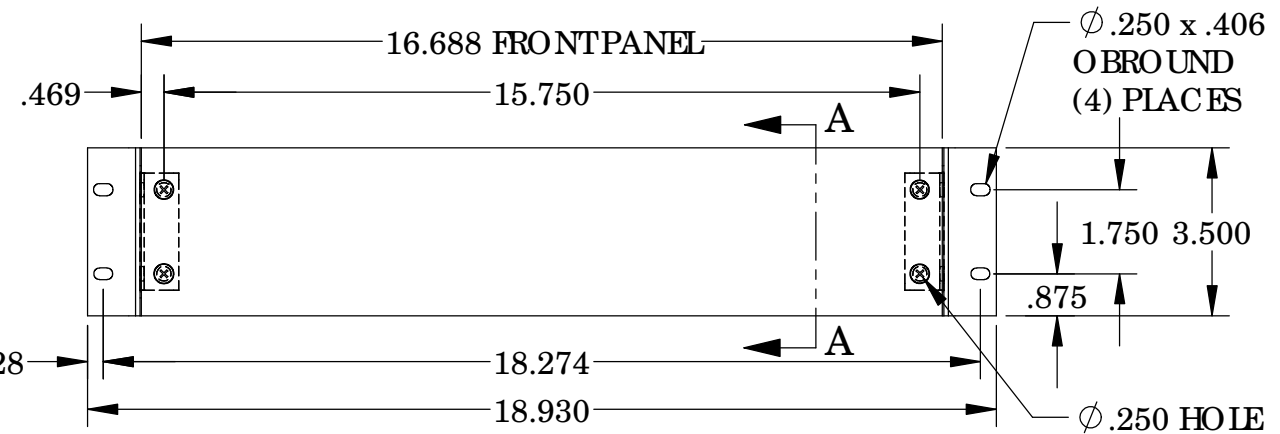
OPTIONAL SELF-ADHESIVE RUBBER FEET (SUPPLIED)

LOAD RATING: 25 LBS. MAX.



TOP VIEW

SIDE VIEW



FRONT VIEW

SECTION A-A

FRONT VIEW (LESS FRONT PANEL)

DETAIL B SCALE 2:1

Ø .250 x .406 O BROUND (4) PLACES
Ø .250 HOLE IN FRONT PANEL (4) PLACES

MATERIAL:
 BACK & COVERS 0.050 THICK ALUMINUM
 SIDES & INNER BRACKETS 0.090 THICK ALUMINUM
 FRONT PANEL 0.125 THICK ALUMINUM
 OUTER BRACKETS 11 GA. C.R.S.

FINISH:
 BACK & COVERS PREPAINTED SMOOTH WHITE
 SIDES & OUTER BRACKETS WHITE TEXTURED
 FRONT PANEL NATURAL (OUTSIDE SURFACE TAPED WITH PVC)
 INNER BRACKETS NATURAL
 FEET BLACK