

PART NAME

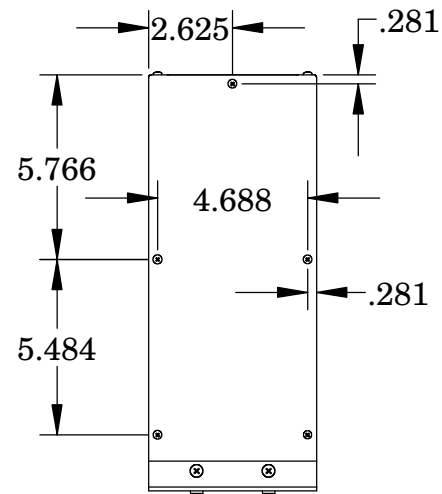
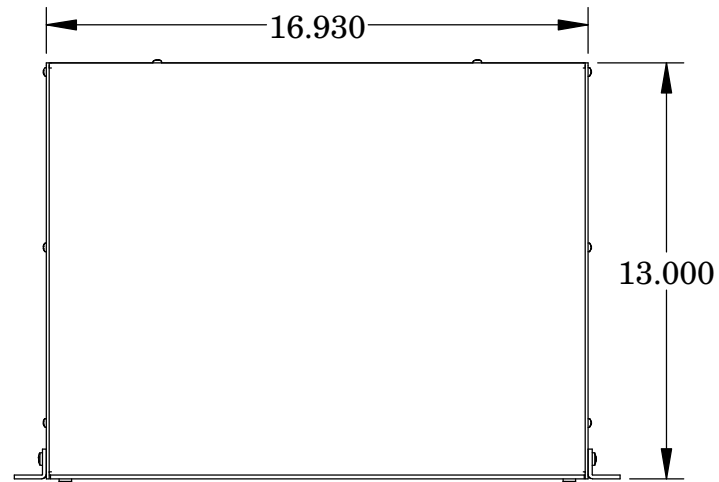
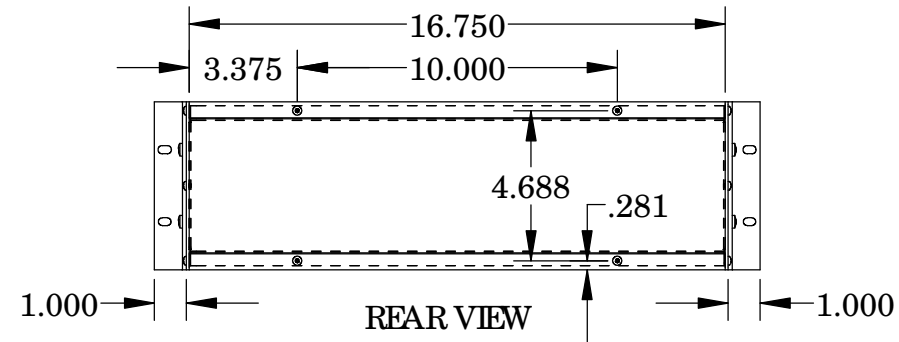
VALU LINE SERIES CABINET

PART No.

NHC-14156

REVISION DATE

11-1-07



MATERIAL:

BACK & COVERS _____ 0.050 THICK ALUMINUM
 SIDES & INNER BRACKETS _____ 0.090 THICK ALUMINUM
 FRONT PANEL _____ 0.125 THICK ALUMINUM
 OUTER BRACKETS _____ 11 GA. C.R.S.

FINISH:

BACK & COVERS _____ PREPAINTED SMOOTH WHITE
 SIDES & OUTER BRACKETS _____ WHITE TEXTURED
 FRONT PANEL _____ NATURAL (OUTSIDE SURFACE TAPED WITH PVC)
 INNER BRACKETS _____ NATURAL
 FEET _____ BLACK

UNIT SHIPPED UNASSEMBLED.

OUTER BRACKETS FOR MOUNTING IN STANDARD 19" WIDE CABINETS.

OPTIONAL SELF-ADHESIVE RUBBER FEET (SUPPLIED)

LOAD RATING: 25 LBS. MAX.

