

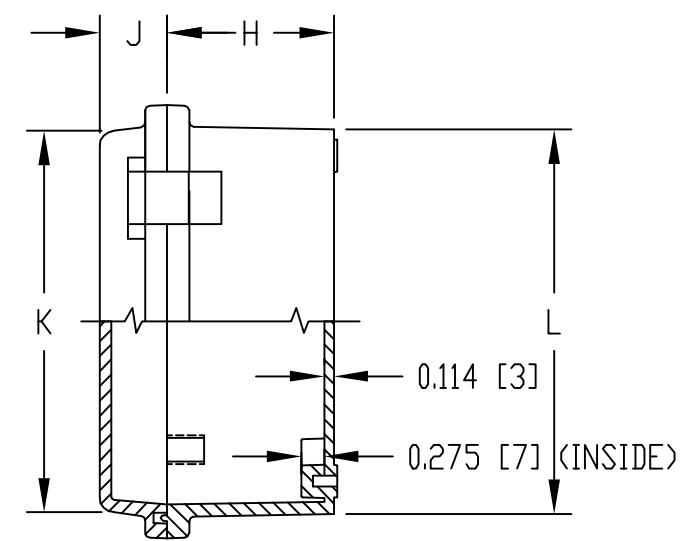
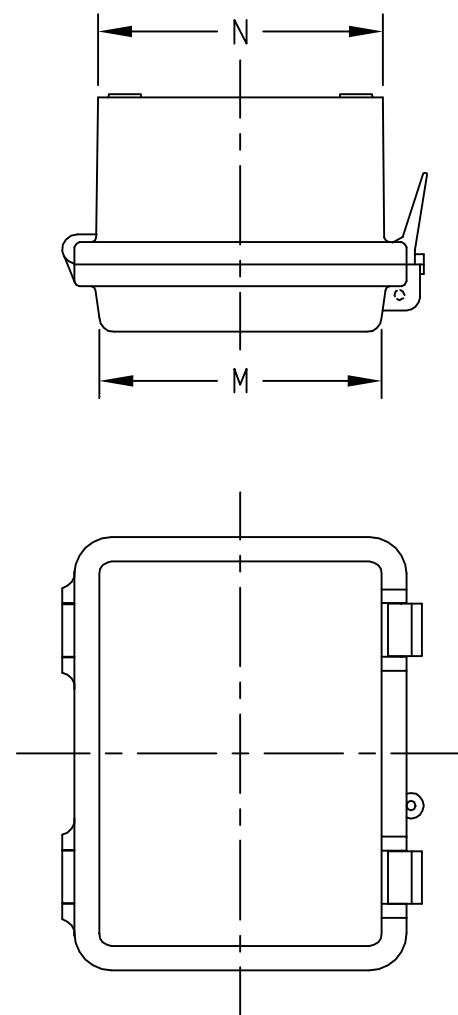
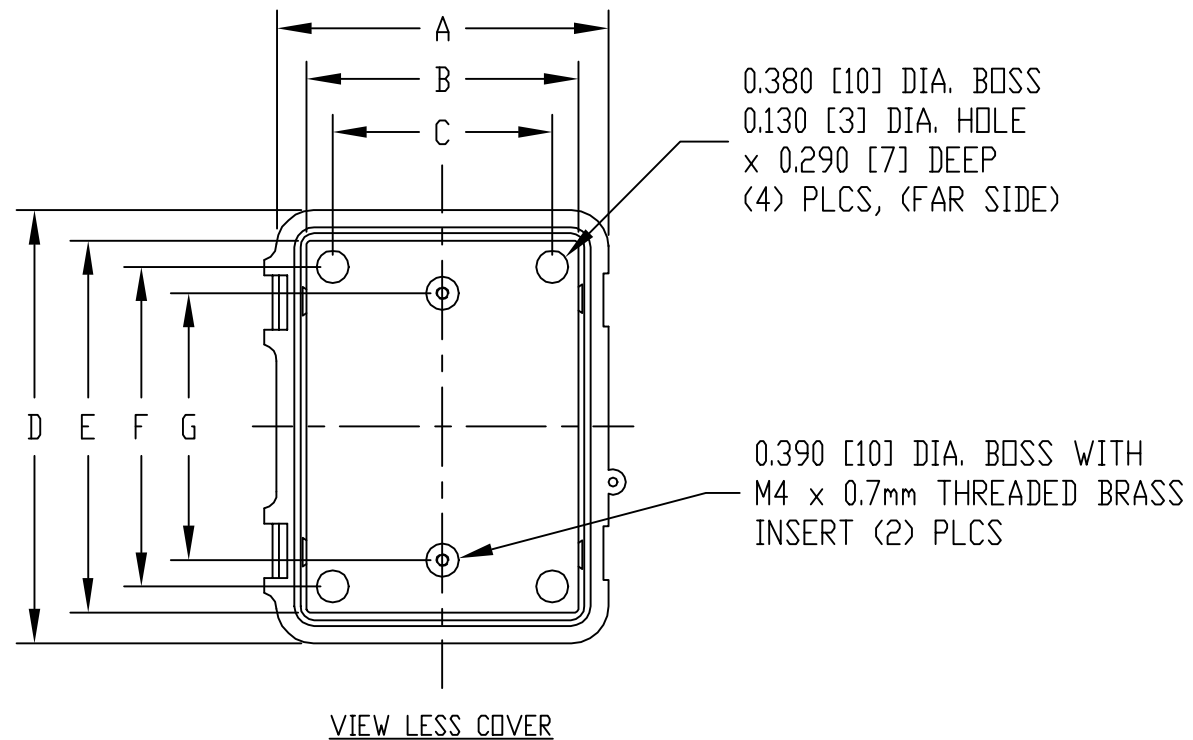
PART NAME	NON-METALLIC ENCLOSURE (STYLE B)	PART No.	NBB-10220 & NBB-10230 & NBB-22220	REV. DATE	6-26-07
-----------	----------------------------------	----------	-----------------------------------	-----------	---------

MATERIAL:
UL LISTED INDOOR VERSION
 SOLID BODY & COVER _____ ABS/PC BLENDED PLASTIC
 UL94-5VB FLAMMABILITY RATING
 CLEAR COVER _____ POLYCARBONATE PLASTIC
 UL94V-0 FLAMMABILITY RATING
 UV STABILIZED
ABS VERSION
 SOLID BODY & COVER _____ ABS
 UL94-HB FLAMMABILITY RATING
ALL VERSIONS
 GASKET _____ MODIFIED POLYURETHANE

FINISH:
 BODY _____ LIGHT GRAY
 COVER _____ LIGHT GRAY OR CLEAR
 LATCHES & HINGES _____ NON-METALLIC
 WALL MOUNTING BRACKETS _____ STAINLESS STEEL

NOTE: UNIT COMES COMPLETE WITH (4) WALL MOUNTING BRACKETS & (4) M5 x 12mm LG. TRUSS HD. SELF-TAPPING SCREWS (NOT SHOWN)
 COVER INCLUDES GRAY POLYURETHANE GASKET.

INDUSTRY STANDARDS:
UL LISTED INDOOR VERSION
 UL508 TYPE 1, 2, 3, 3R, 4, 4X INDOOR, 12 & 13
 NEMA TYPE 1, 2, 3, 3R, 4, 4X, 12 & 13
 IEC529-IP65
ABS VERSION
 NEMA TYPE 1, 2, 3, 3R, 4, 4X, 12 & 13
 IEC529-IP65



AIR AND MOISTURE VENTS AND GALVANIZED STEEL INTERNAL PANEL ARE NOT INCLUDED, BUT CAN BE PURCHASED SEPARATELY.

DIMENSIONS = INCHES [MILLIMETERS]

NOTE: ALL DIMENSIONS HAVE ±0.039 [±1] TOLERANCE UNLESS OTHERWISE SPECIFIED

			DIMENSIONS												
UL LISTED INDOOR VERSION PART NO.	ABS VERSION PART NO.		A	B	C	D	E	F	G	H	J	K	L	M	N
NBB-10220	NBB-10230	NBB-22220	3.940 [100]	3.225 [82]	2.605 [66]	5.125 [130]	4.400 [112]	3.785 [96]	3.160 [80]	1.975 [50]	0.800 [20]	4.515 [115]	4.550 [116]	3.345 [85]	3.375 [86]