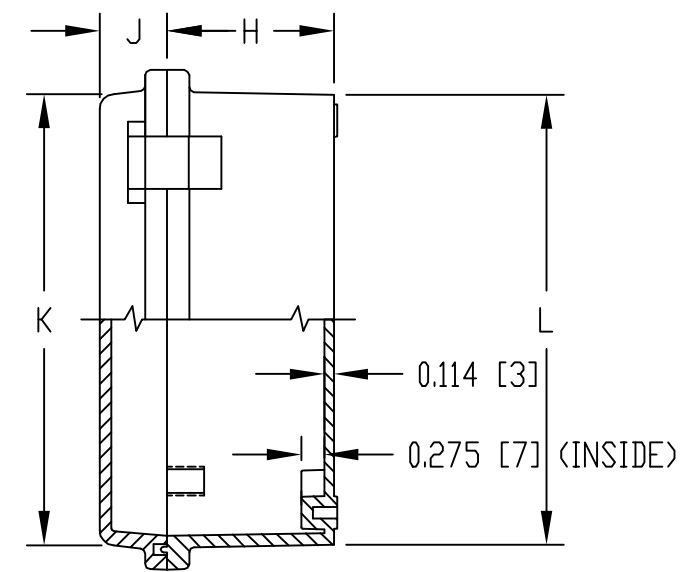
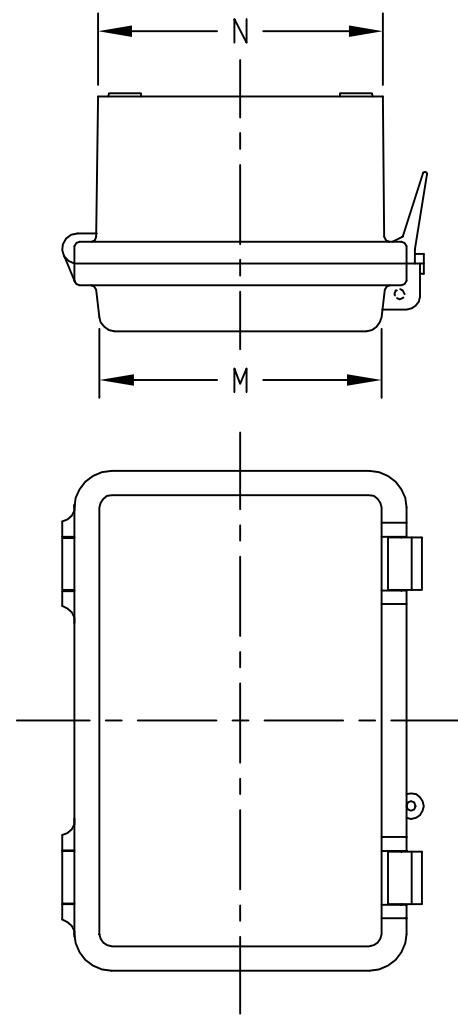
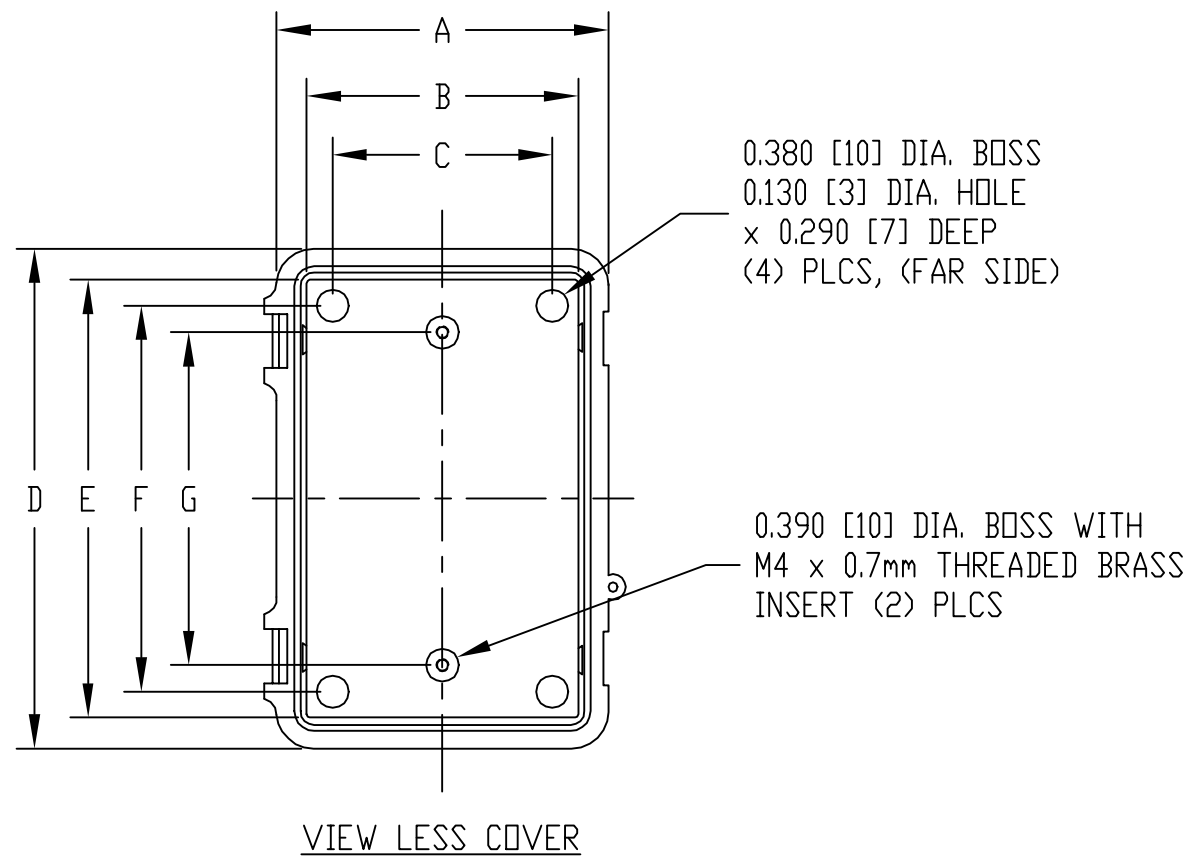


PART NAME	NON-METALLIC ENCLOSURE (STYLE B)	PART No.	NBB-10221 & NBB-10231 & NBB-22221	REV. DATE	6-26-07
-----------	----------------------------------	----------	-----------------------------------	-----------	---------

**MATERIAL:**  
UL LISTED INDOOR VERSION  
 SOLID BODY & COVER \_\_\_\_\_ ABS/PC BLENDED PLASTIC  
 UL94-5VB FLAMMABILITY RATING  
 CLEAR COVER \_\_\_\_\_ POLYCARBONATE PLASTIC  
 UL94V-0 FLAMMABILITY RATING  
 UV STABILIZED  
ABS VERSION  
 SOLID BODY & COVER \_\_\_\_\_ ABS  
 UL94-HB FLAMMABILITY RATING  
ALL VERSIONS  
 GASKET \_\_\_\_\_ MODIFIED POLYURETHANE

**FINISH:**  
 BODY \_\_\_\_\_ LIGHT GRAY  
 COVER \_\_\_\_\_ LIGHT GRAY OR CLEAR  
 LATCHES & HINGES \_\_\_\_\_ NON-METALLIC  
 WALL MOUNTING BRACKETS \_\_\_\_\_ STAINLESS STEEL

**NOTE:** UNIT COMES COMPLETE WITH (4) WALL MOUNTING BRACKETS & (4) M5 x 12mm LG. TRUSS HD. SELF-TAPPING SCREWS (NOT SHOWN)  
 COVER INCLUDES GRAY POLYURETHANE GASKET.  
**INDUSTRY STANDARDS:**  
UL LISTED INDOOR VERSION  
 UL508 TYPE 1, 2, 3, 3R, 4, 4X INDOOR, 12 & 13  
 NEMA TYPE 1, 2, 3, 3R, 4, 4X, 12 & 13  
 IEC529-IP65  
ABS VERSION  
 NEMA TYPE 1, 2, 3, 3R, 4, 4X, 12 & 13  
 IEC529-IP65



AIR AND MOISTURE VENTS AND GALVANIZED STEEL INTERNAL PANEL ARE NOT INCLUDED, BUT CAN BE PURCHASED SEPARATELY.

DIMENSIONS = INCHES [MILLIMETERS]

**NOTE:** ALL DIMENSIONS HAVE ±0.039 [±1] TOLERANCE UNLESS OTHERWISE SPECIFIED

UL LISTED INDOOR VERSION			DIMENSIONS												
PART NO.			A	B	C	D	E	F	G	H	J	K	L	M	N
SOLID COVER	CLEAR COVER	SOLID COVER													
NBB-10221	NBB-10231	NBB-22221	3.950 [100]	3.225 [82]	2.595 [66]	5.915 [150]	5.180 [132]	4.570 [116]	3.940 [100]	1.975 [50]	0.815 [21]	5.305 [135]	5.335 [135]	3.330 [85]	3.375 [86]