

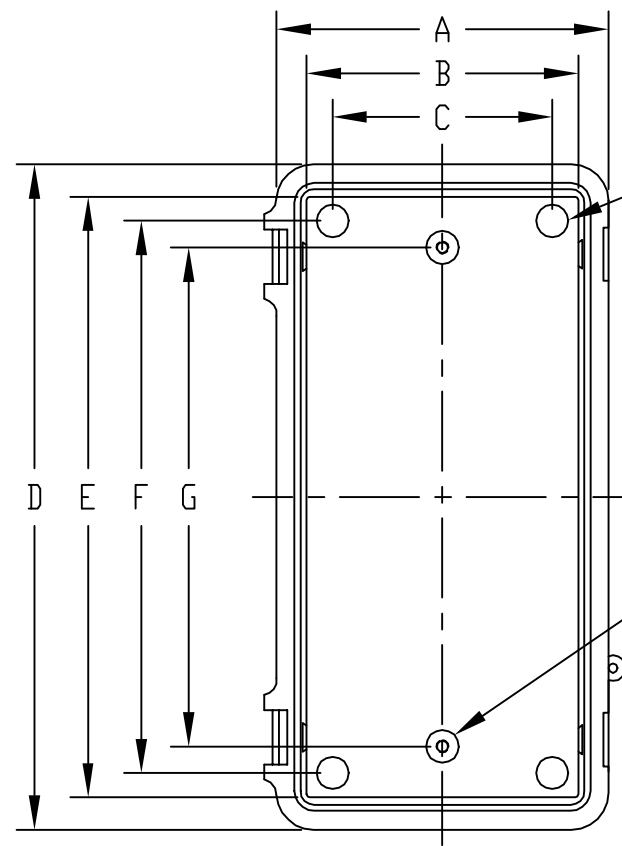
PART NAME	NON-METALLIC ENCLOSURE (STYLE B)	PART No.	NBB-10222 & NBB-10232 & NBB-22222	REV. DATE	6-26-07
-----------	----------------------------------	----------	-----------------------------------	-----------	---------

MATERIAL:
UL LISTED INDOOR VERSION
 SOLID BODY & COVER _____ ABS/PC BLENDED PLASTIC
 UL94-5VB FLAMMABILITY RATING
 CLEAR COVER _____ POLYCARBONATE PLASTIC
 UL94V-0 FLAMMABILITY RATING
 UV STABILIZED
ABS VERSION
 SOLID BODY & COVER _____ ABS
 UL94-HB FLAMMABILITY RATING
ALL VERSIONS
 GASKET _____ MODIFIED POLYURETHANE

FINISH:
 BODY _____ LIGHT GRAY
 COVER _____ LIGHT GRAY OR CLEAR
 LATCHES & HINGES _____ NON-METALLIC
 WALL MOUNTING BRACKETS _____ STAINLESS STEEL

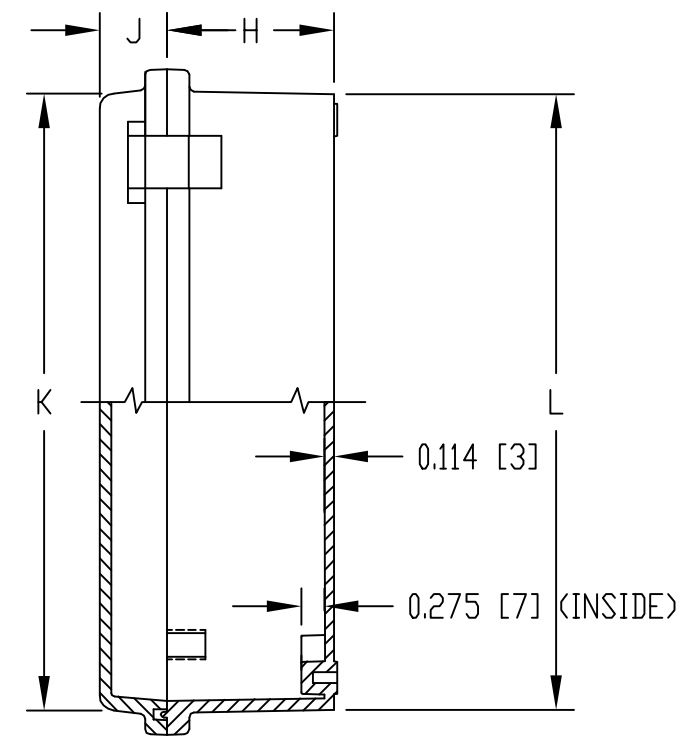
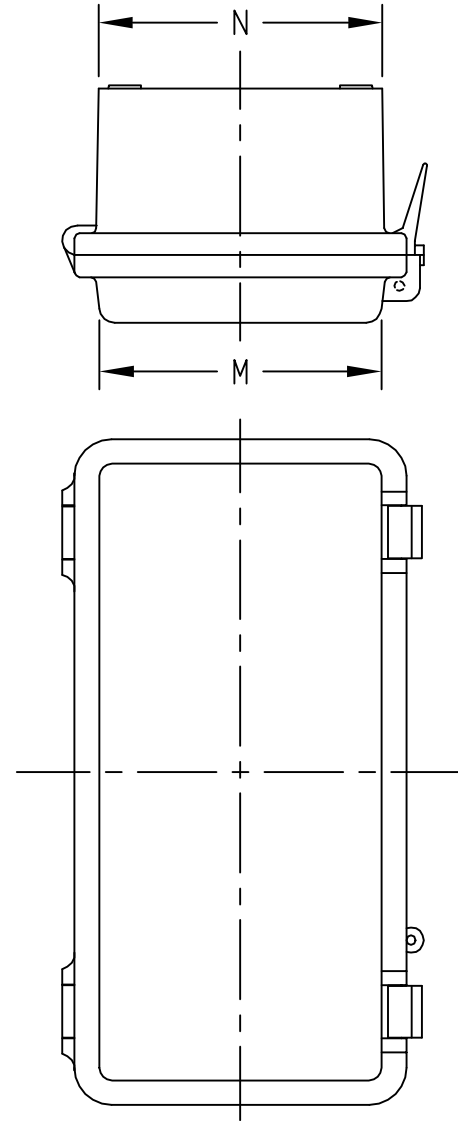
NOTE: UNIT COMES COMPLETE WITH (4) WALL MOUNTING BRACKETS & (4) M5 x 12mm LG. TRUSS HD. SELF-TAPPING SCREWS (NOT SHOWN)
 COVER INCLUDES GRAY POLYURETHANE GASKET.

INDUSTRY STANDARDS:
UL LISTED INDOOR VERSION
 UL508 TYPE 1, 2, 3, 3R, 4, 4X INDOOR, 12 & 13
 NEMA TYPE 1, 2, 3, 3R, 4, 4X, 12 & 13
 IEC529-IP65
ABS VERSION
 NEMA TYPE 1, 2, 3, 3R, 4, 4X, 12 & 13
 IEC529-IP65



0.380 [10] DIA. BOSS
 0.130 [3] DIA. HOLE
 x 0.290 [7] DEEP
 (4) PLCS, (FAR SIDE)

0.390 [10] DIA. BOSS WITH
 M4 x 0.7mm THREADED BRASS
 INSERT (2) PLCS



AIR AND MOISTURE VENTS AND GALVANIZED STEEL INTERNAL PANEL ARE NOT INCLUDED, BUT CAN BE PURCHASED SEPARATELY.

VIEW LESS COVER

DIMENSIONS = INCHES [MILLIMETERS]

NOTE: ALL DIMENSIONS HAVE ±0.039 [±1] TOLERANCE UNLESS OTHERWISE SPECIFIED

DIMENSIONS

UL LISTED INDOOR VERSION PART NO.	ABS VERSION PART NO.	DIMENSIONS													
SOLID COVER	CLEAR COVER	SOLID COVER	A	B	C	D	E	F	G	H	J	K	L	M	N
NBB-10222	NBB-10232	NBB-22222	3.925 [100]	3.215 [82]	2.598 [66]	7.875 [200]	7.110 [181]	6.536 [166]	5.905 [150]	1.975 [50]	0.815 [21]	7.265 [185]	7.225 [184]	3.335 [85]	3.360 [85]