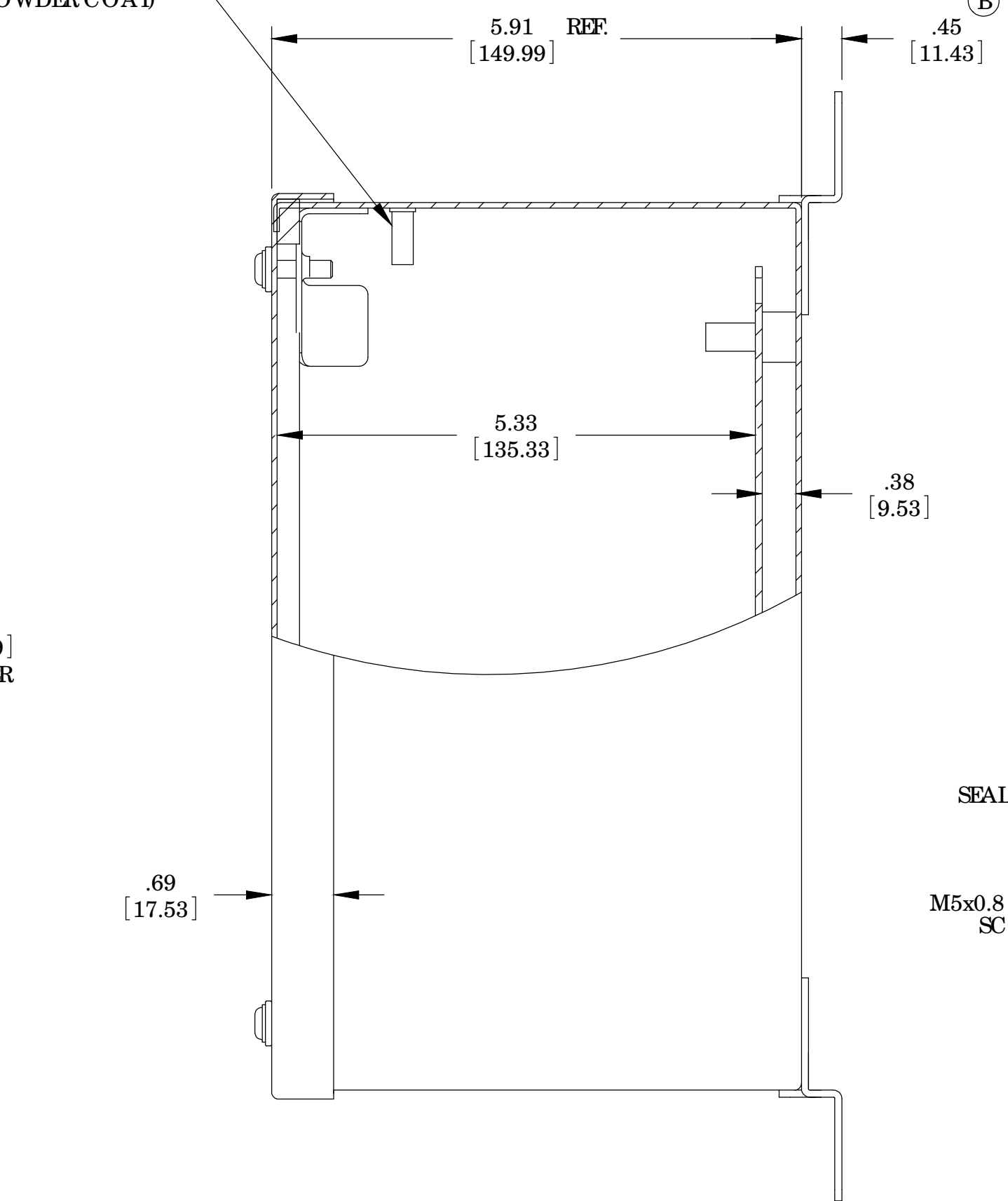
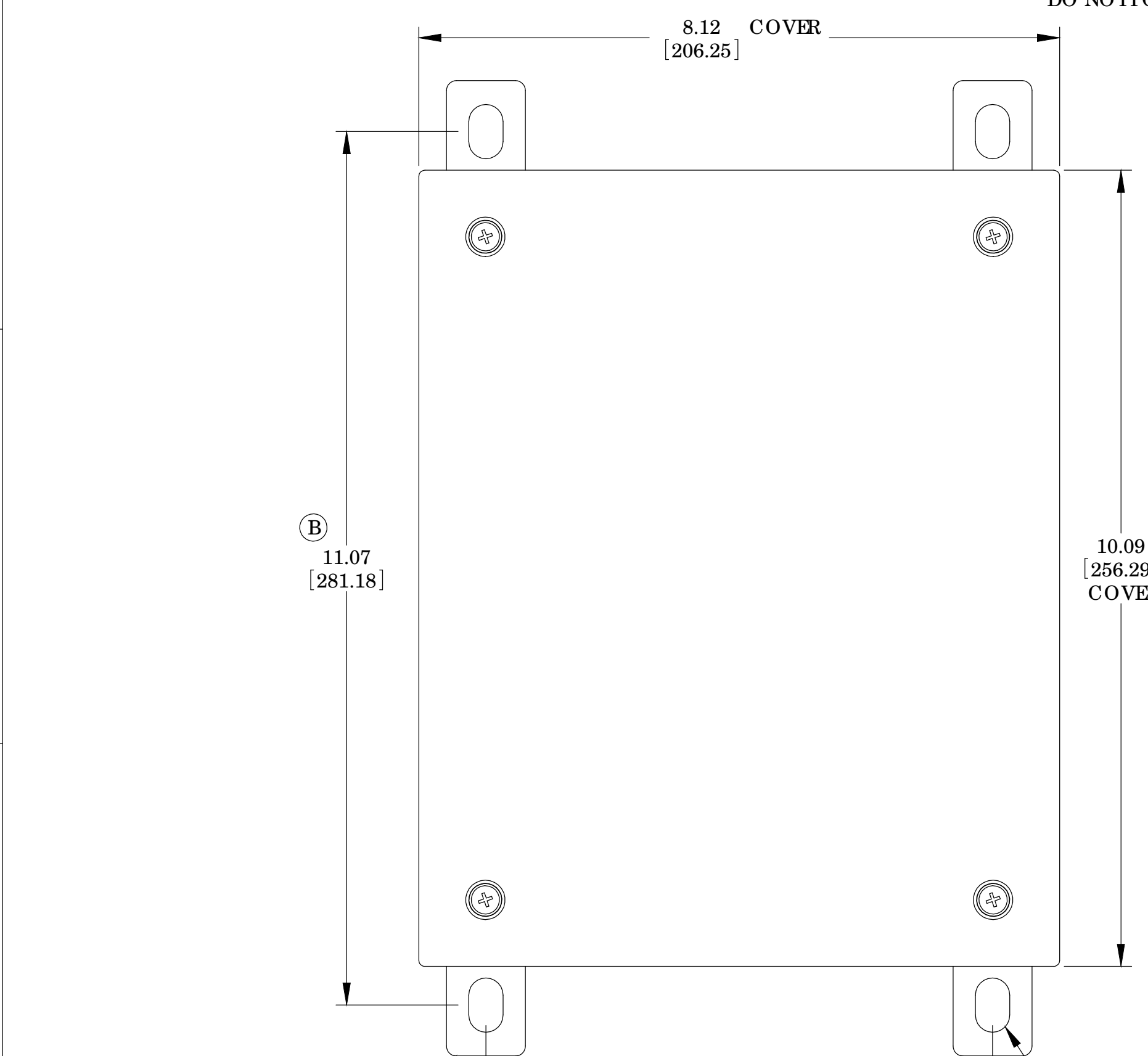


THE INFORMATION CONTAINED IN THIS DRAWING IS THE SOLE PROPERTY OF BUD INDUSTRIES INC. ANY REPRODUCTION IN PART OR WHOLE WITHOUT THE WRITTEN PERMISSION OF BUD INDUSTRIES INC. IS PROHIBITED.

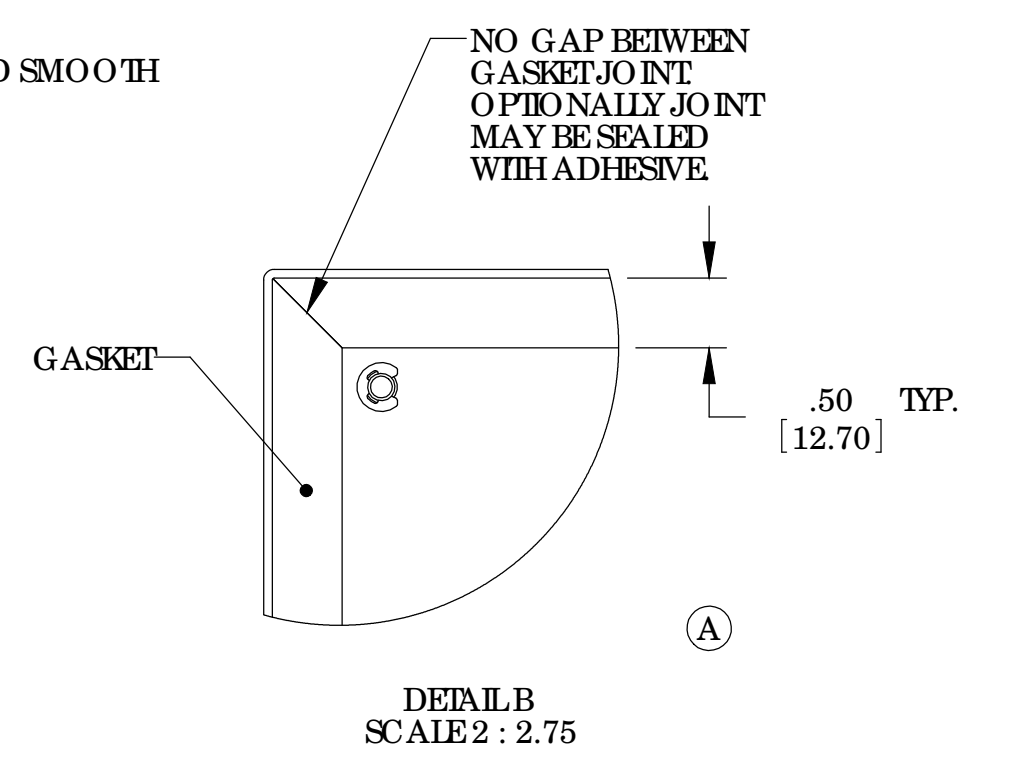
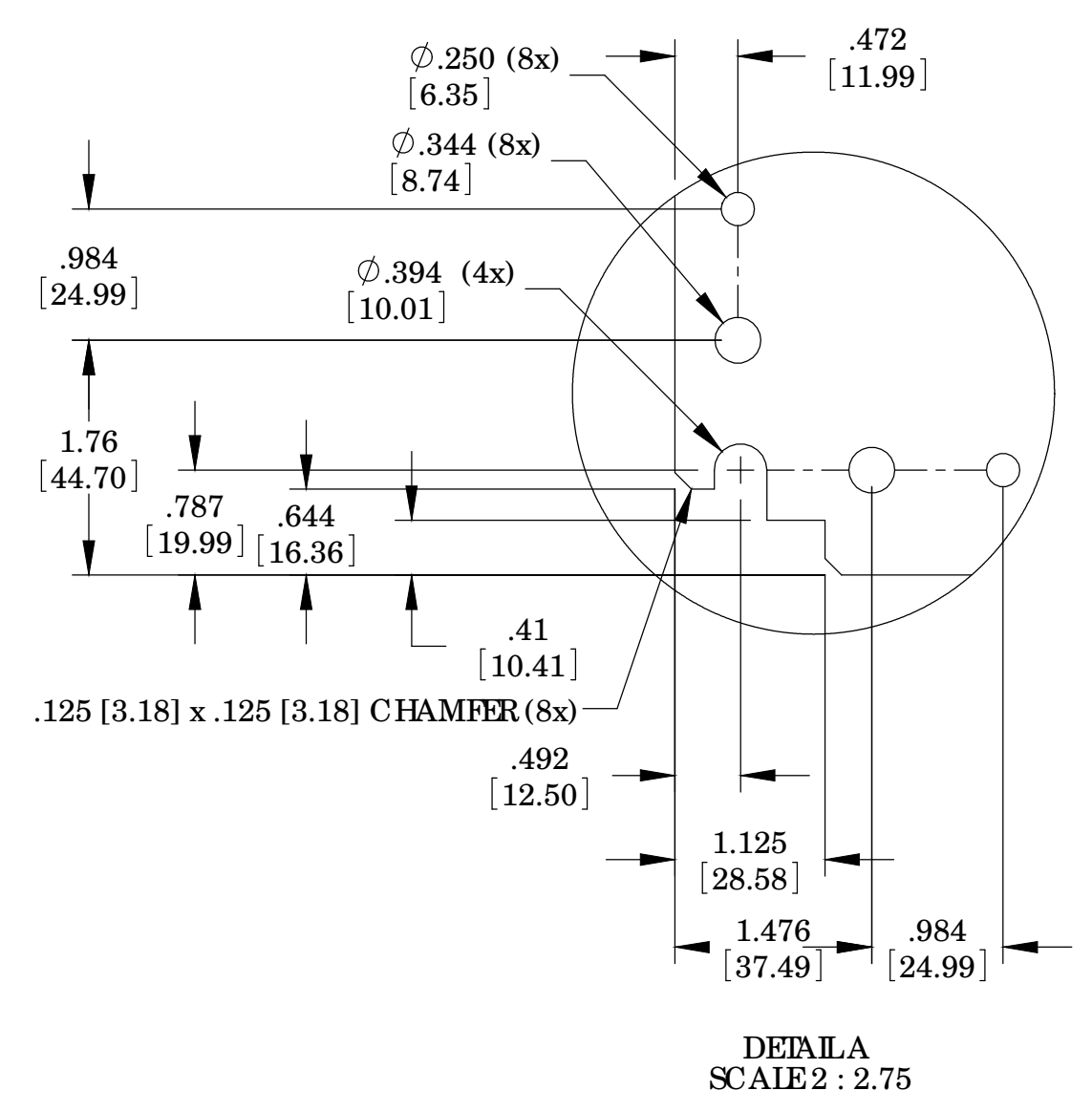
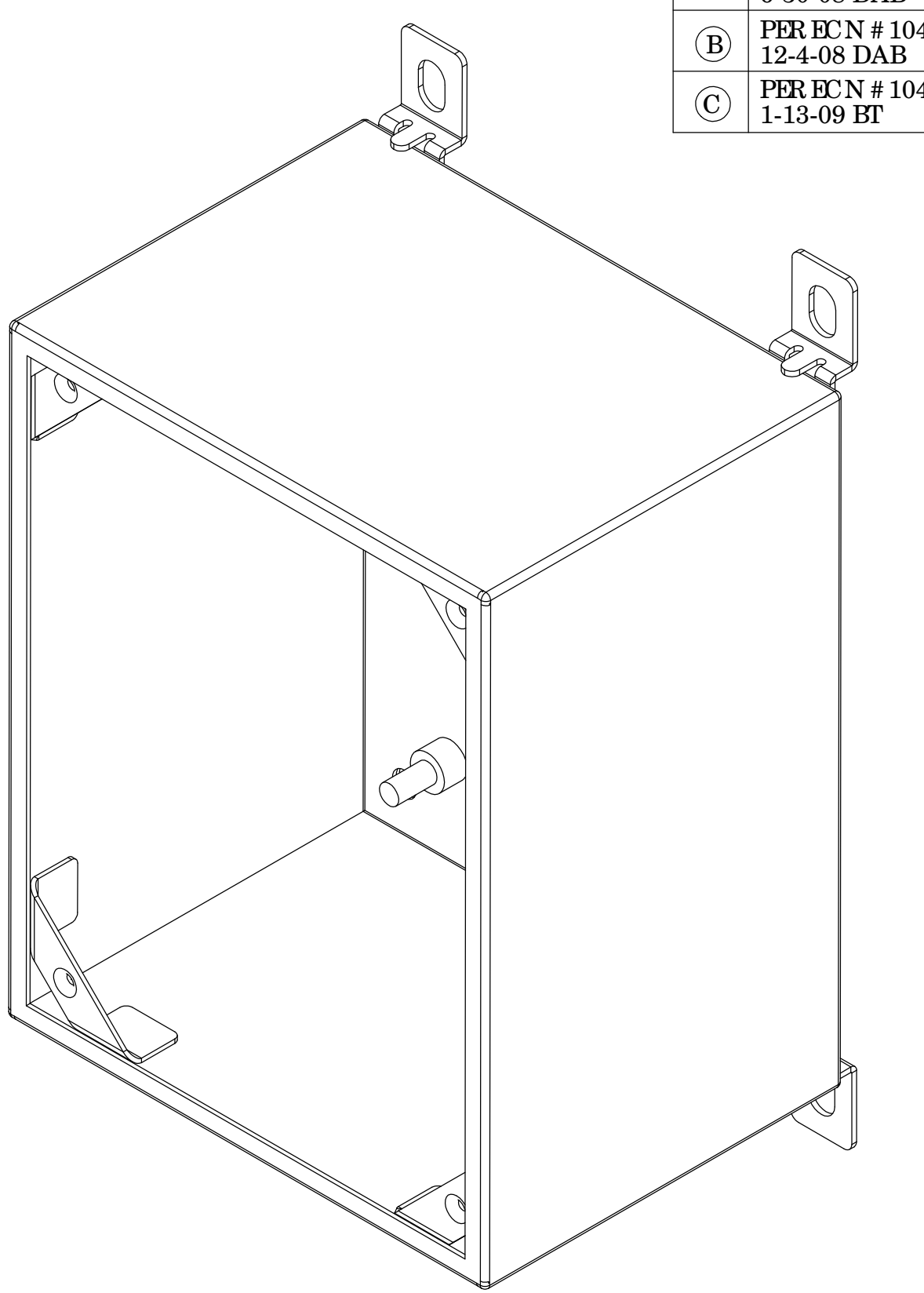
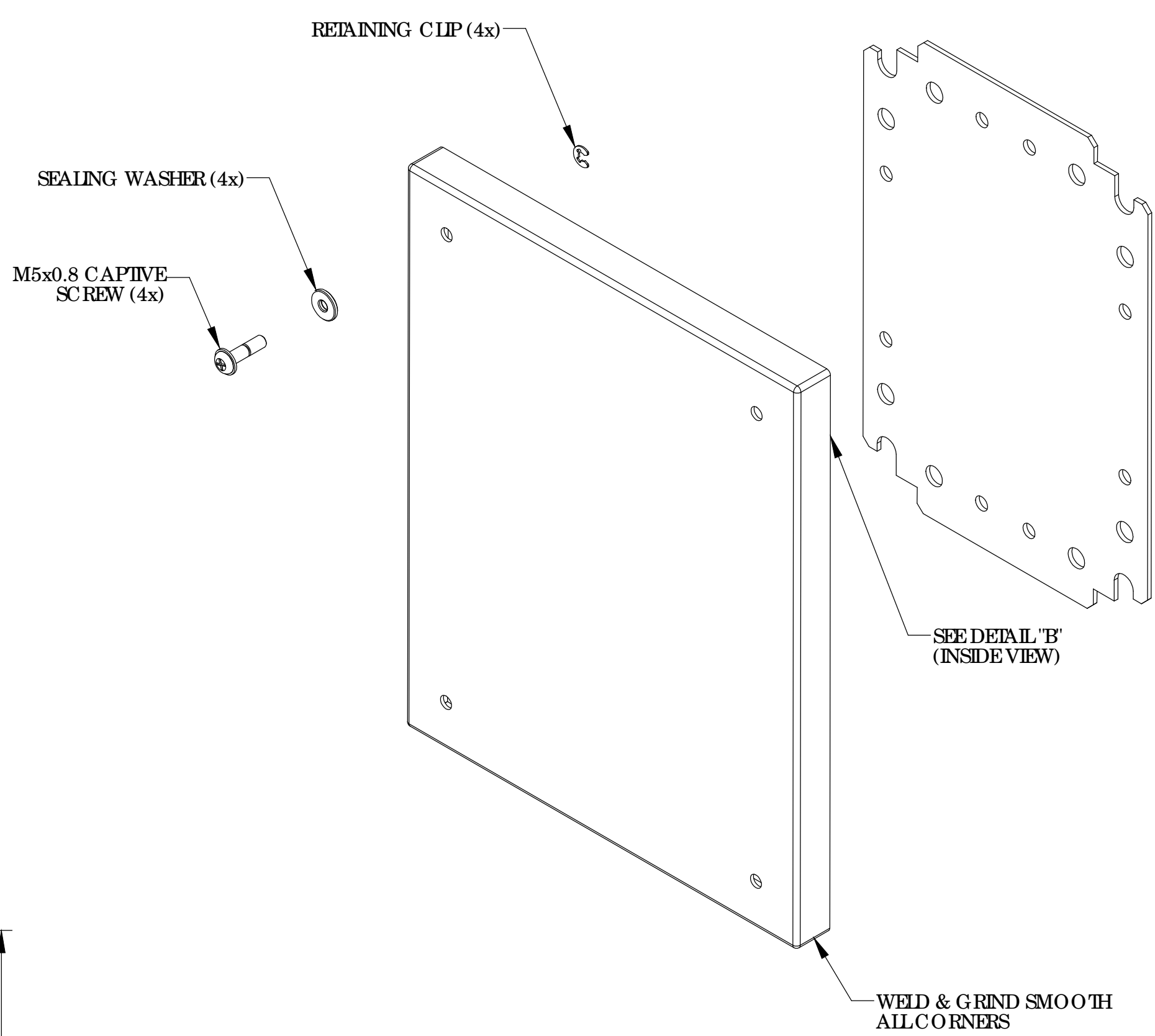
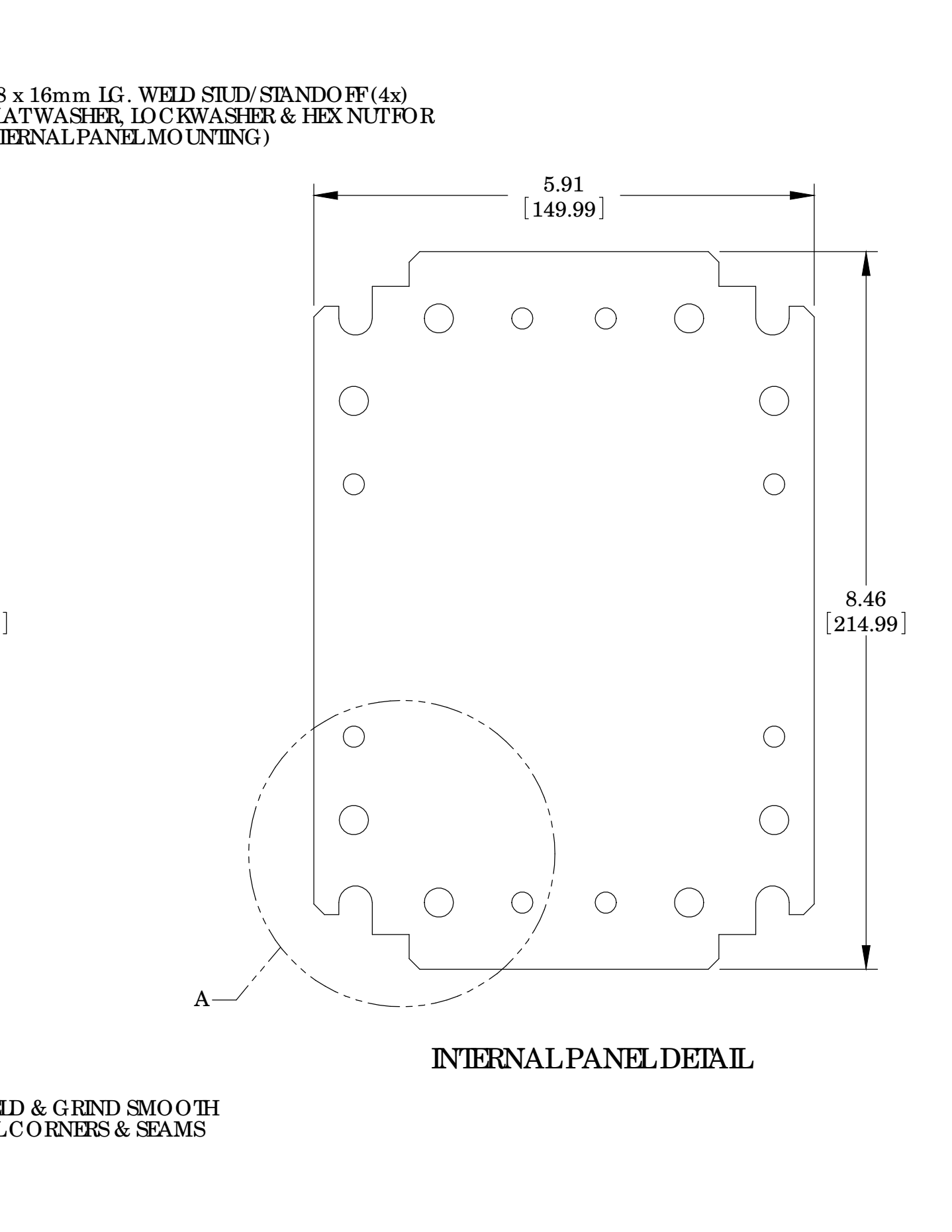
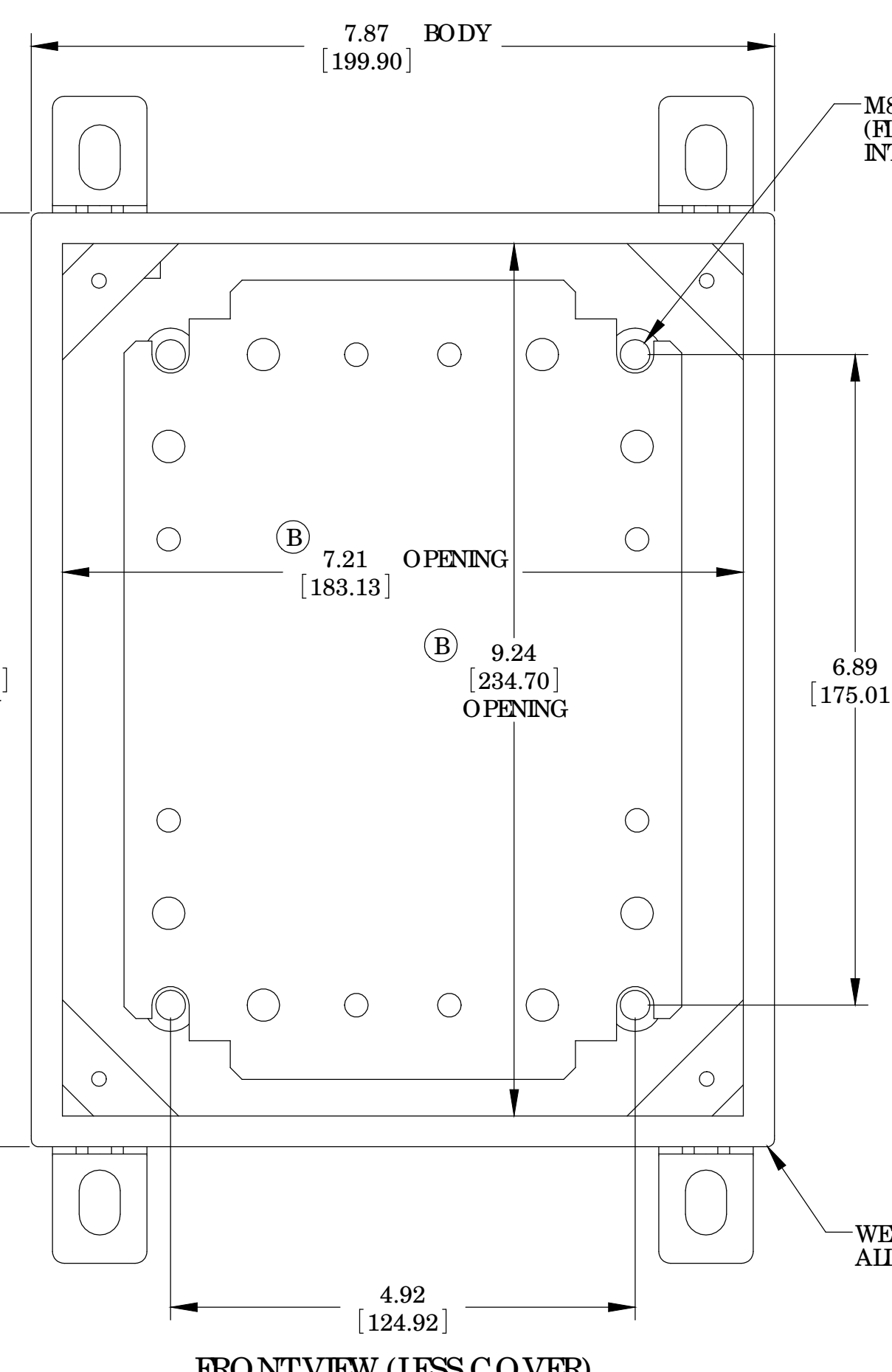
SNC-3750	
ISSUE	REVISIONS
(A)	REVISED DESIGN 6-30-08 DAB
(B)	PER BCN # 10404 12-4-08 DAB
(C)	PER BCN # 10446 1-13-09 BT



MATERIAL:
 BODY, COVER MOUNTING BRACKETS, COVER - 16 GA. [1.5mm] C.R.S.
 INTERNAL PANEL - 14 GA. [2.0mm] C.R.S.
 WALL MOUNTING BRACKETS - 14 GA. [2.0mm] STAINLESS STEEL
 HARDWARE - STAINLESS STEEL
 GASKET - .25 [6.35] THICK NEO PRENE (BLACK) OR EQUIVALENT
 SEALING WASHERS - BLACK NEO PRENE OR EQUIVALENT

FINISH:
 BODY & COVER - LIGHT GRAY SMOOTH POWDER COAT
 INTERNAL PANEL - ZINC CHROMATE
 WALL MOUNTING BRACKETS - NATURAL

WALL MOUNTING BRACKET KIT TO CONTAIN THE FOLLOWING:
 (4) BRACKETS, (4) BOLTS, (4) SEALING WASHERS, (4) FLAT WASHERS, (4) LOCKWASHERS & (4) HEX NUTS



WELD & GRIND SMOOTH ALL CORNERS & SEAMS

WELD & GRIND SMOOTH ALL CORNERS

DETAIL B SCALE 2 : 2.75

DETAIL A SCALE 2 : 2.75

PARTS LIST		BUD INDUSTRIES INC.	
UNLESS OTHERWISE SPECIFIED ALL DIMENSIONS ARE IN INCHES	CAD GENERATED DRAWING DO NOT MANUALLY UPDATE		
DRWING NO. 5-5-08	APPROVALS DATE		
DRAWN BY DAB	DATE 5-5-08		
MATERIAL AS NOTED	APPROVED		
FINISH AS NOTED	DATE		
SCALE	CAD FILE		
QTY.	USED ON	SCALE	DATE
	DO NOT SCALE DRAWING		

NEMA SHEET METAL BOX w/LIFT-OFF SCREW COVER
 DWG. NO. SNC-3750
 SCALE 1 OF 1