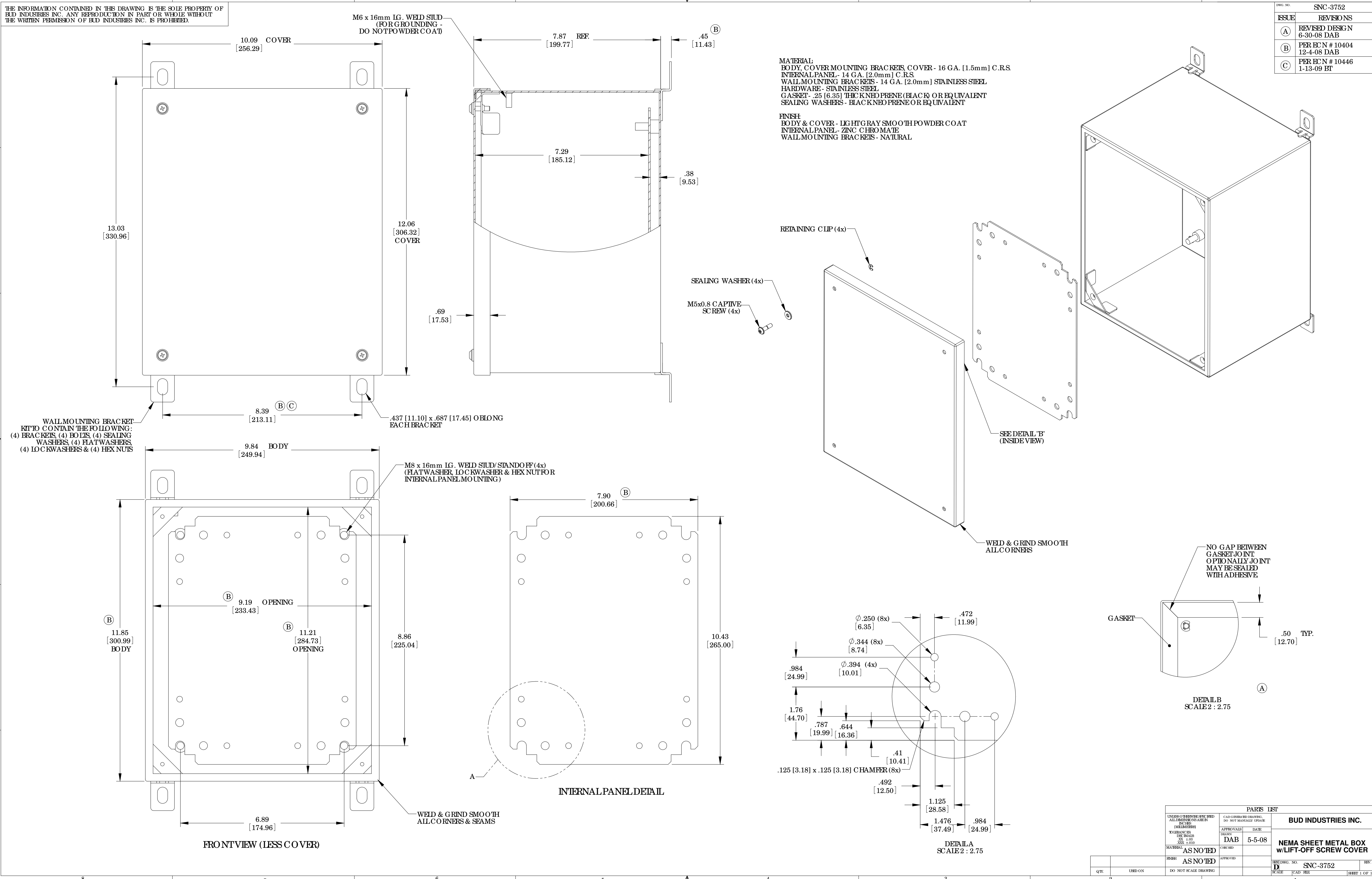


THE INFORMATION CONTAINED IN THIS DRAWING IS THE SOLE PROPERTY OF BUD INDUSTRIES INC. ANY REPRODUCTION IN PART OR WHOLE WITHOUT THE WRITTEN PERMISSION OF BUD INDUSTRIES INC. IS PROHIBITED.

ISSUE		REVISIONS
(A)	REVISION	6-30-08 DAB
(B)	PER BCN # 10404	12-4-08 DAB
(C)	PER BCN # 10446	1-13-09 BT

MATERIAL:
 BODY, COVER MOUNTING BRACKETS, COVER - 16 GA. [1.5mm] C.R.S.
 INTERNAL PANEL - 14 GA. [2.0mm] C.R.S.
 WALL MOUNTING BRACKETS - 14 GA. [2.0mm] STAINLESS STEEL
 HARDWARE - STAINLESS STEEL
 GASKET - .25 [6.35] THICK NBR PRENE (BLACK) OR EQUIVALENT
 SEALING WASHERS - BLACK NBR PRENE OR EQUIVALENT

FINISH:
 BODY & COVER - LIGHT GRAY SMOOTH POWDER COAT
 INTERNAL PANEL - ZINC CHROMATE
 WALL MOUNTING BRACKETS - NATURAL



WALL MOUNTING BRACKET KIT TO CONTAIN THE FOLLOWING:
 (4) BRACKETS, (4) BOLTS, (4) SEALING WASHERS, (4) FLAT WASHERS, (4) LOCKWASHERS & (4) HEX NUTS

M8 x 16mm LG. WELD STUD/STANDOFF (4x) (FLAT WASHER, LOCKWASHER & HEX NUT FOR INTERNAL PANEL MOUNTING)

RETAINING CLIP (4x)

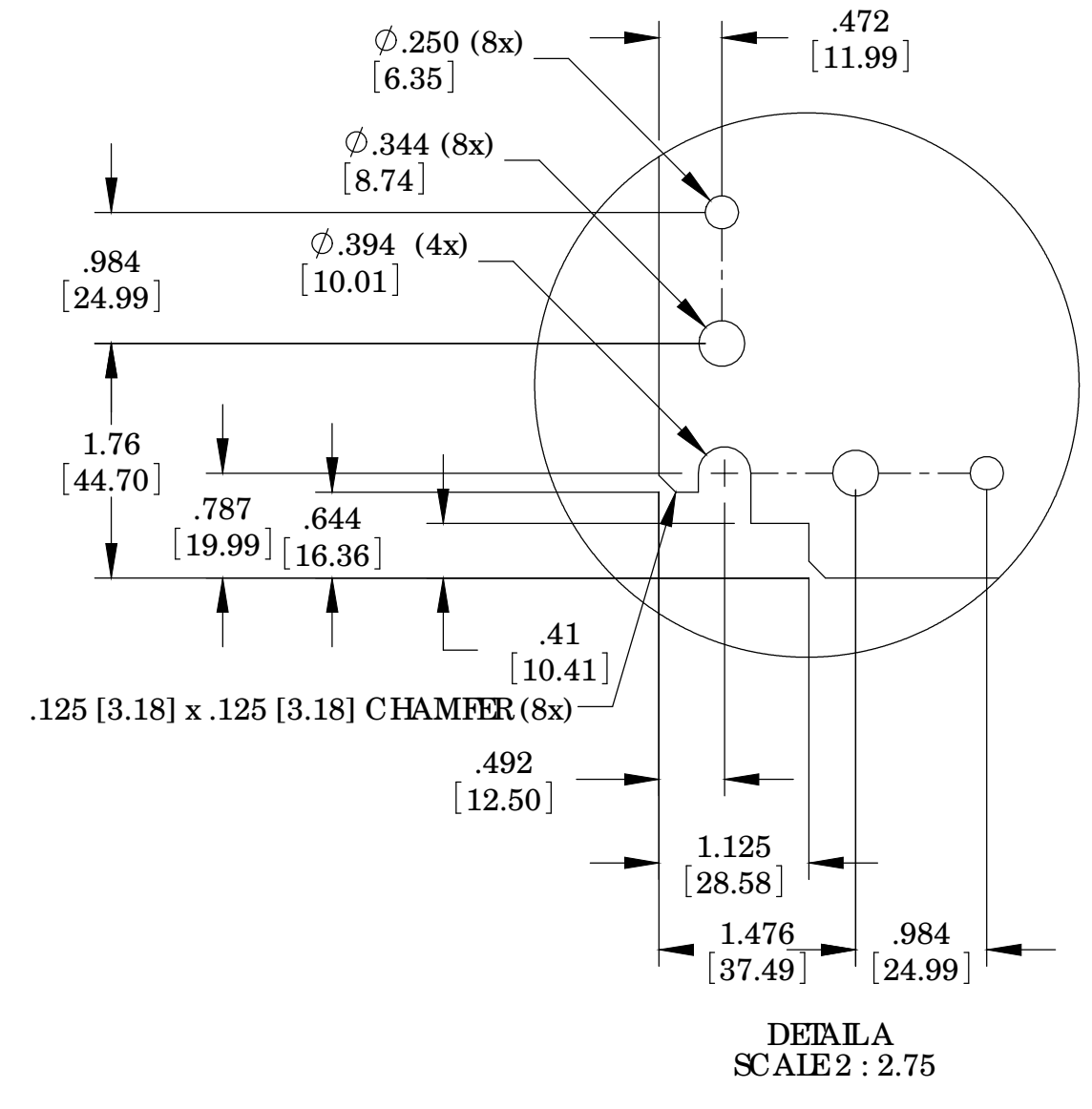
SEALING WASHER (4x)
 M5x0.8 CAPTIVE SCREW (4x)

SEE DETAIL 'B' (INSIDE VIEW)

WELD & GRIND SMOOTH ALL CORNERS

NO GAP BETWEEN GASKET JOINT. OPTIONALLY JOINT MAY BE SEALED WITH ADHESIVE

DETAIL B SCALE 2 : 2.75



DETAIL A SCALE 2 : 2.75

UNLESS OTHERWISE SPECIFIED ALL DIMENSIONS ARE IN INCHES		CAD GENERATED DRAWING DO NOT MANUALLY UPDATE		BUD INDUSTRIES INC.	
DATE	APPROVALS	DATE	APPROVALS	REV	DESCRIPTION
05/05/08	DAB	05-05-08			NEMA SHEET METAL BOX w/LIFT-OFF SCREW COVER
AS NOTED		AS NOTED		SCALE	CAD FILE

QTY	USED ON	DO NOT SCALE DRAWING	SCALE	CAD FILE	SHEET NO.	TOTAL SHEETS
				SNC-3752	1	1