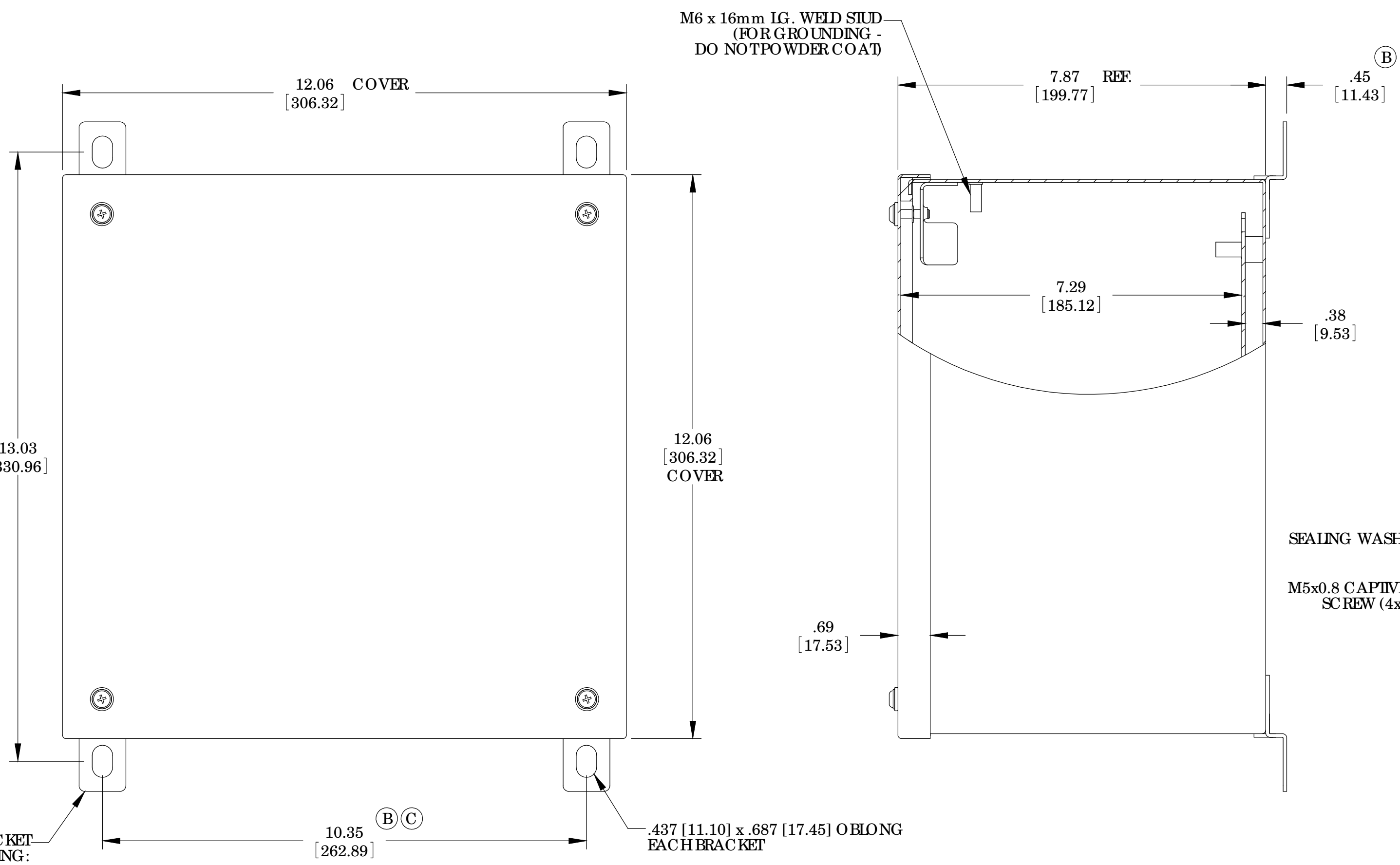


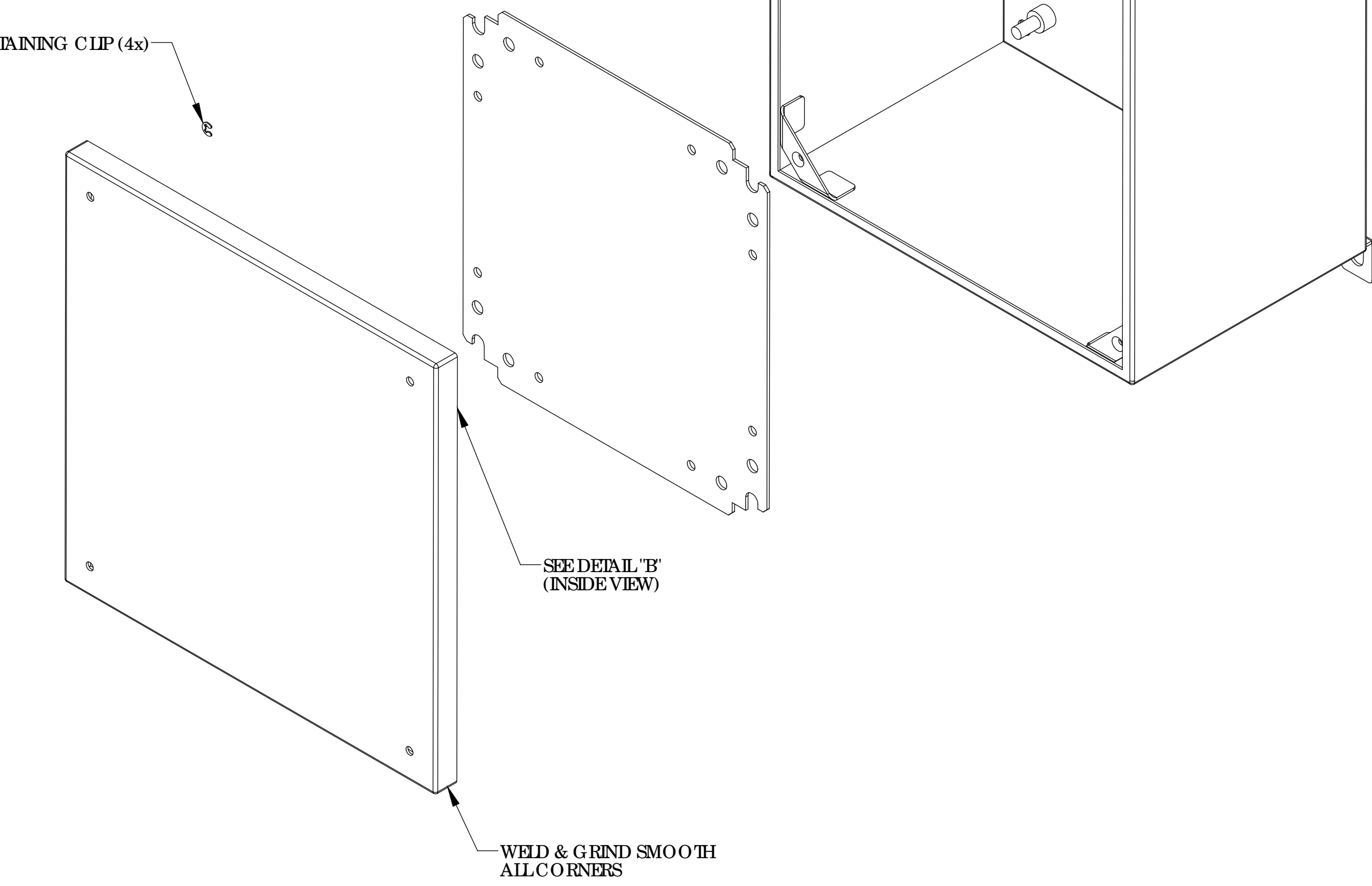
THE INFORMATION CONTAINED IN THIS DRAWING IS THE SOLE PROPERTY OF BUD INDUSTRIES INC. ANY REPRODUCTION IN PART OR WHOLE WITHOUT THE WRITTEN PERMISSION OF BUD INDUSTRIES INC. IS PROHIBITED.

ISSUE	REVISIONS
(A)	REVISED DESIGN 6-30-08 DAB
(B)	PER ECN # 10404 12-4-08 DAB
(C)	PER ECN # 10446 1-13-09 BT

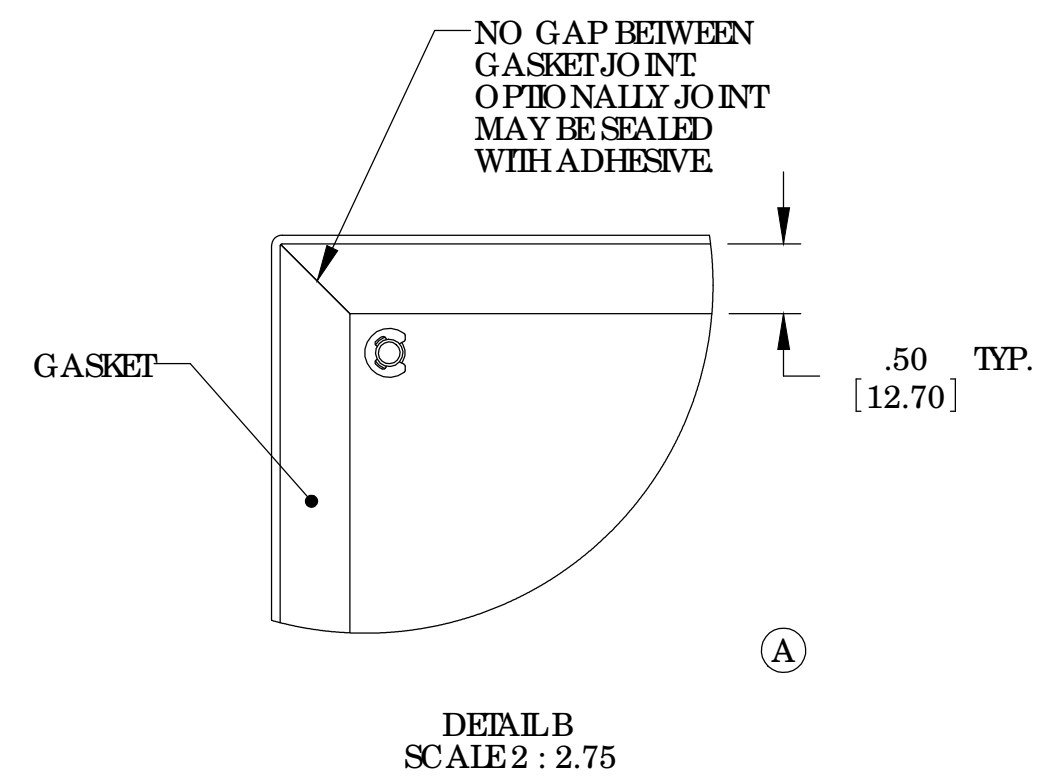
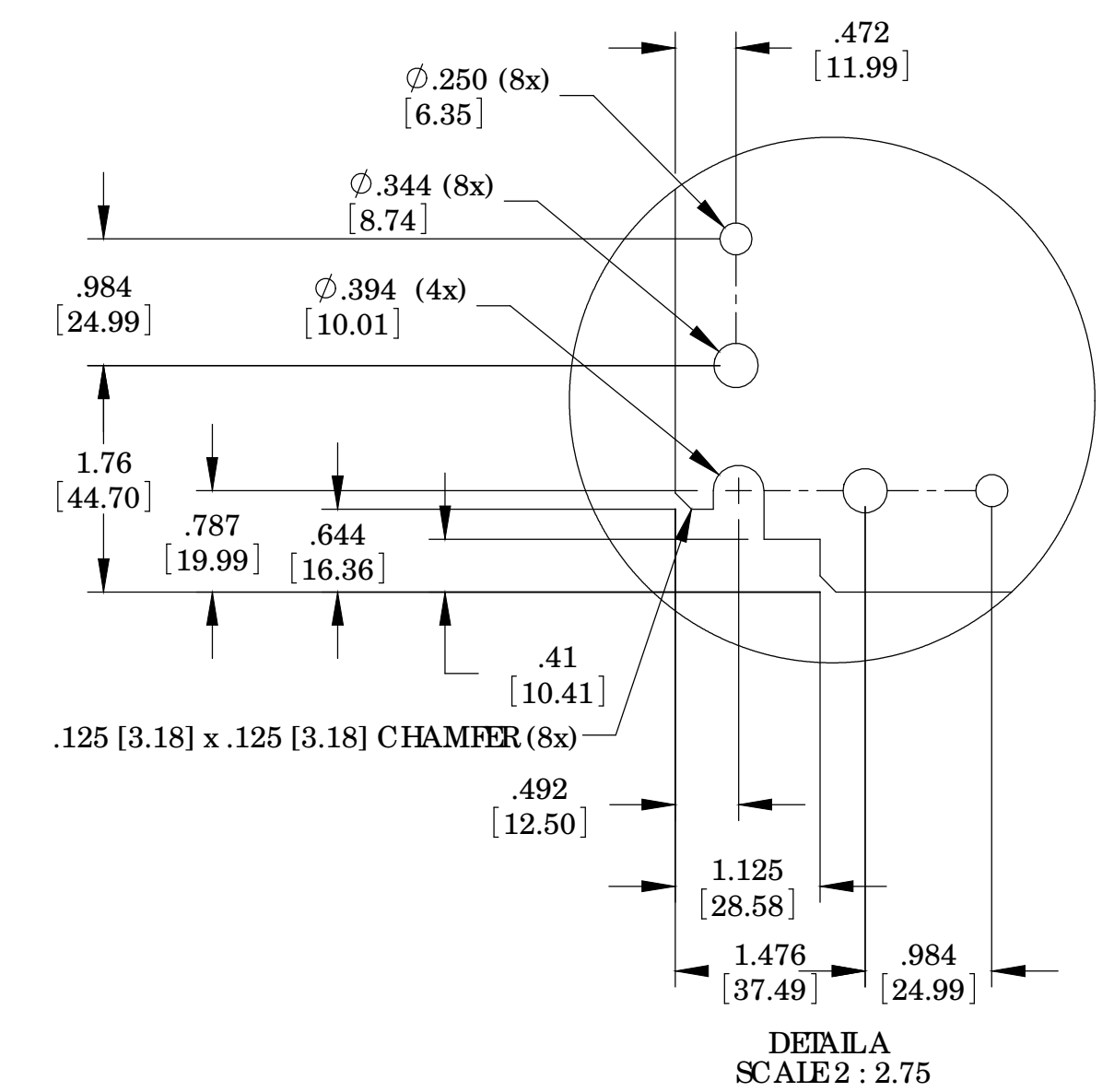
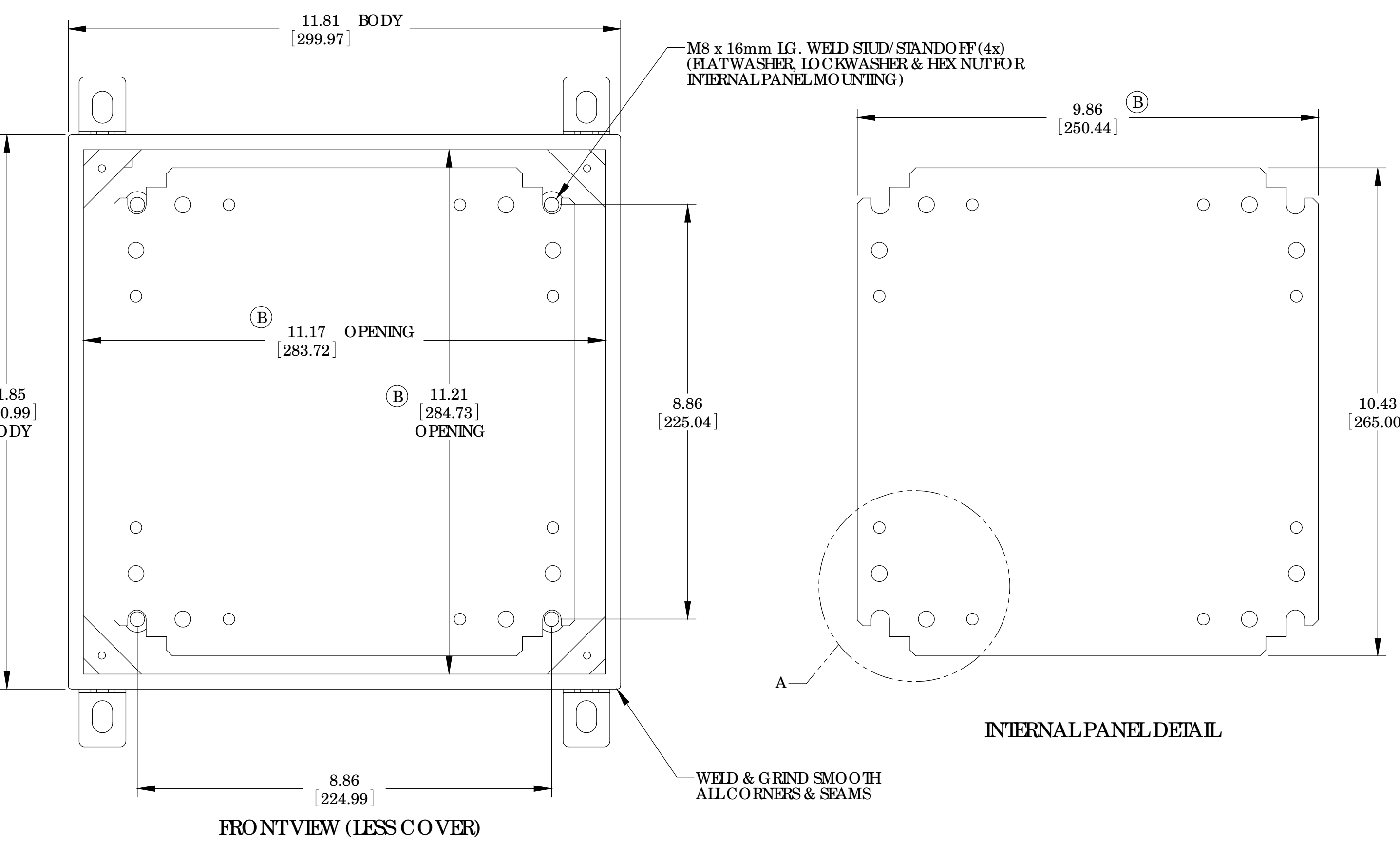


**MATERIAL:**  
 BODY, COVER MOUNTING BRACKETS, COVER - 16 GA. [1.5mm] C.R.S.  
 INTERNAL PANEL - 14 GA. [2.0mm] C.R.S.  
 WALL MOUNTING BRACKETS - 14 GA. [2.0mm] STAINLESS STEEL  
 HARDWARE - STAINLESS STEEL  
 GASKET - .25 [6.35] THICK NED PRENE (BLACK) OR EQUIVALENT  
 SEALING WASHERS - BLACK NED PRENE OR EQUIVALENT

**FINISH:**  
 BODY & COVER - LIGHT GRAY SMOOTH POWDER COAT  
 INTERNAL PANEL - ZINC CHROMATE  
 WALL MOUNTING BRACKETS - NATURAL



WALL MOUNTING BRACKET KIT TO CONTAIN THE FOLLOWING:  
 (4) BRACKETS, (4) BOLTS, (4) SEALING WASHERS, (4) FLAT WASHERS, (4) LOCKWASHERS & (4) HEX NUTS



UNLESS OTHERWISE SPECIFIED ALL DIMENSIONS ARE IN INCHES		CAD GENERATED DRAWING. DO NOT MANUALLY UPDATE.		BUD INDUSTRIES INC.	
DESIGNED BY	DAB	DATE	5-5-08	NEMA SHEET METAL BOX w/LIFT-OFF SCREW COVER	
AS NOTED		APPROVED		SCALE: CAD FILE	
QTY.	USED ON	DO NOT SCALE DRAWING		REV.	SNC-3754