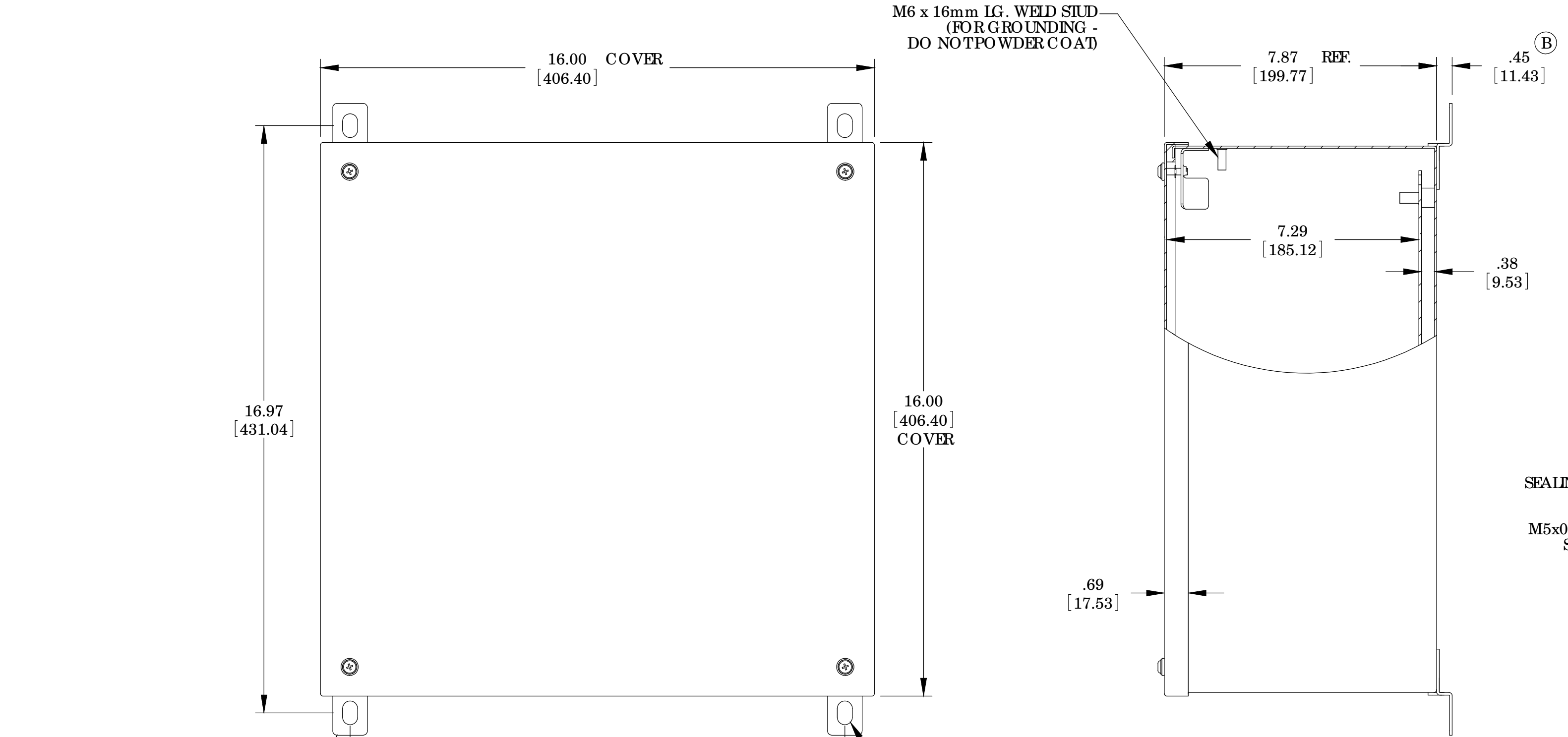


THE INFORMATION CONTAINED IN THIS DRAWING IS THE SOLE PROPERTY OF BUD INDUSTRIES INC. ANY REPRODUCTION IN PART OR WHOLE WITHOUT THE WRITTEN PERMISSION OF BUD INDUSTRIES INC. IS PROHIBITED.

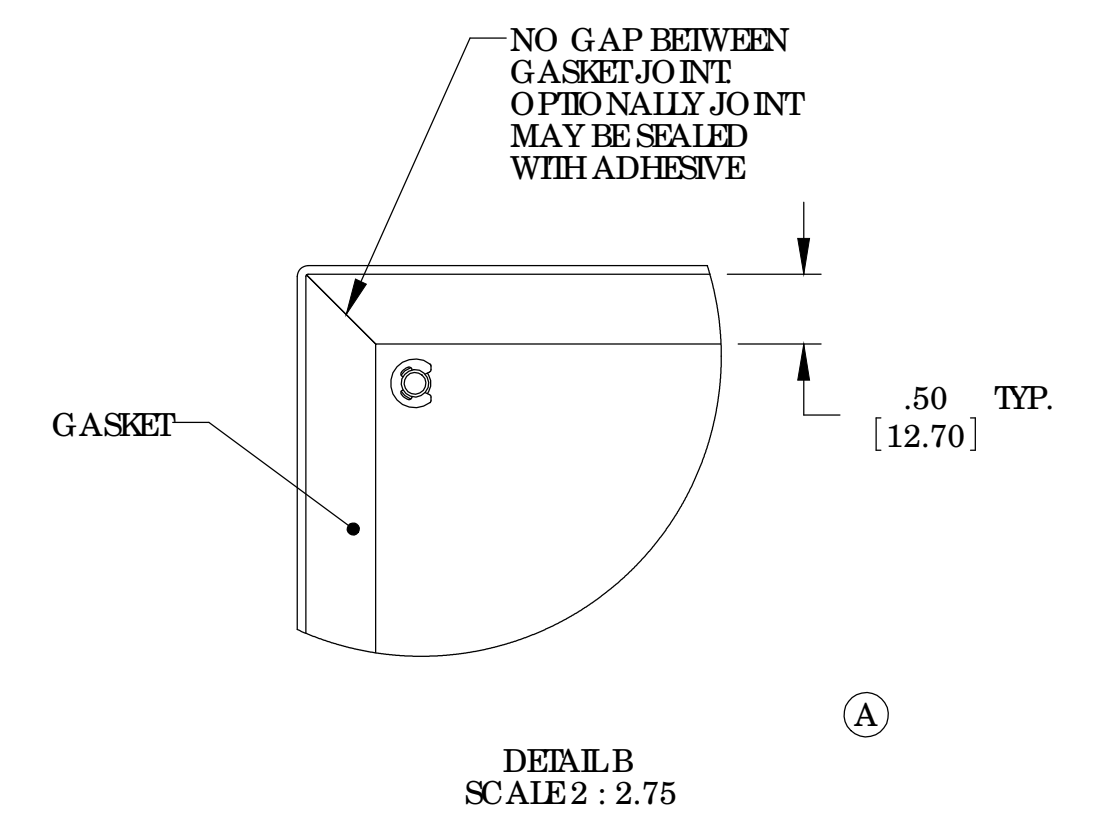
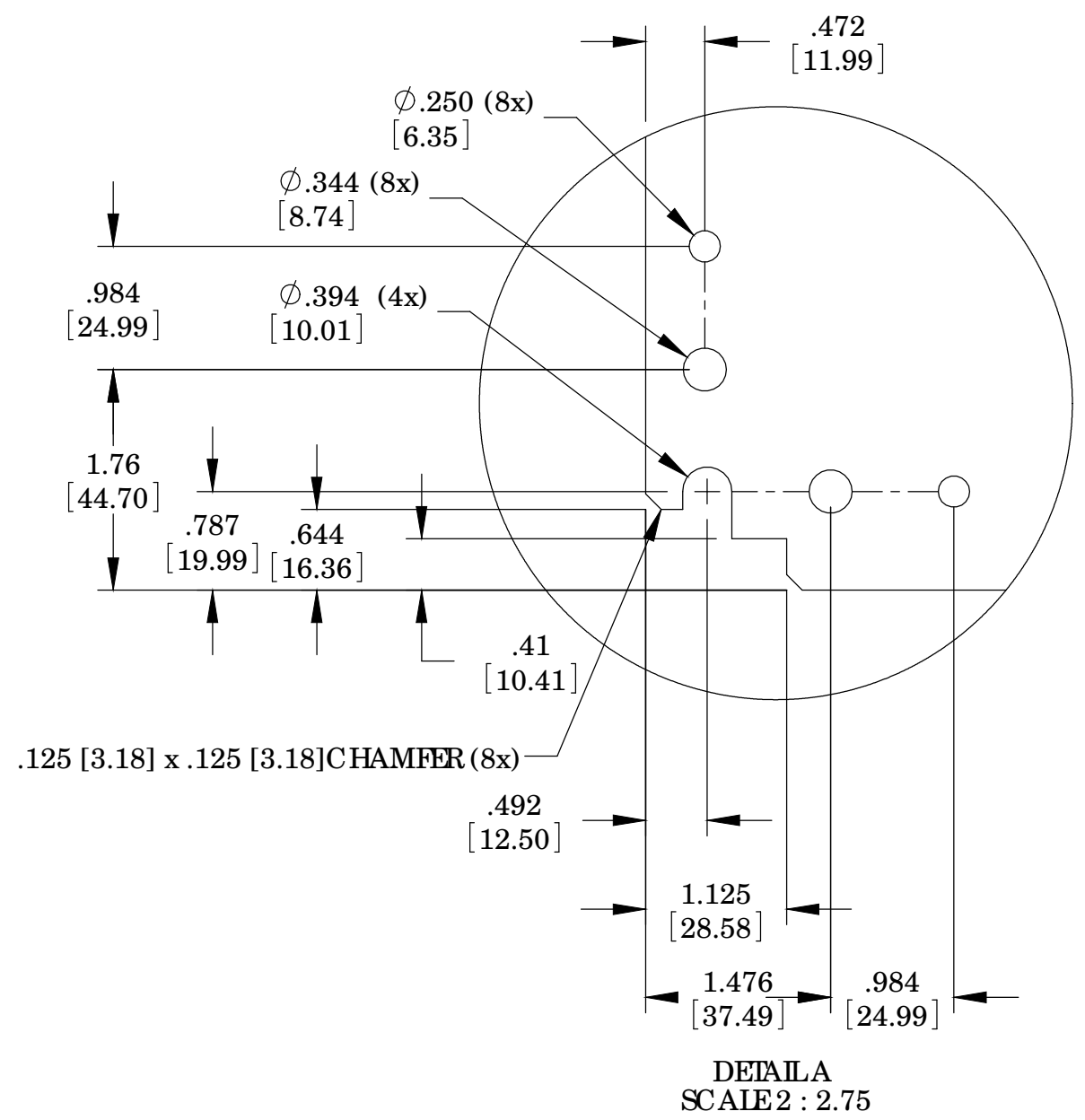
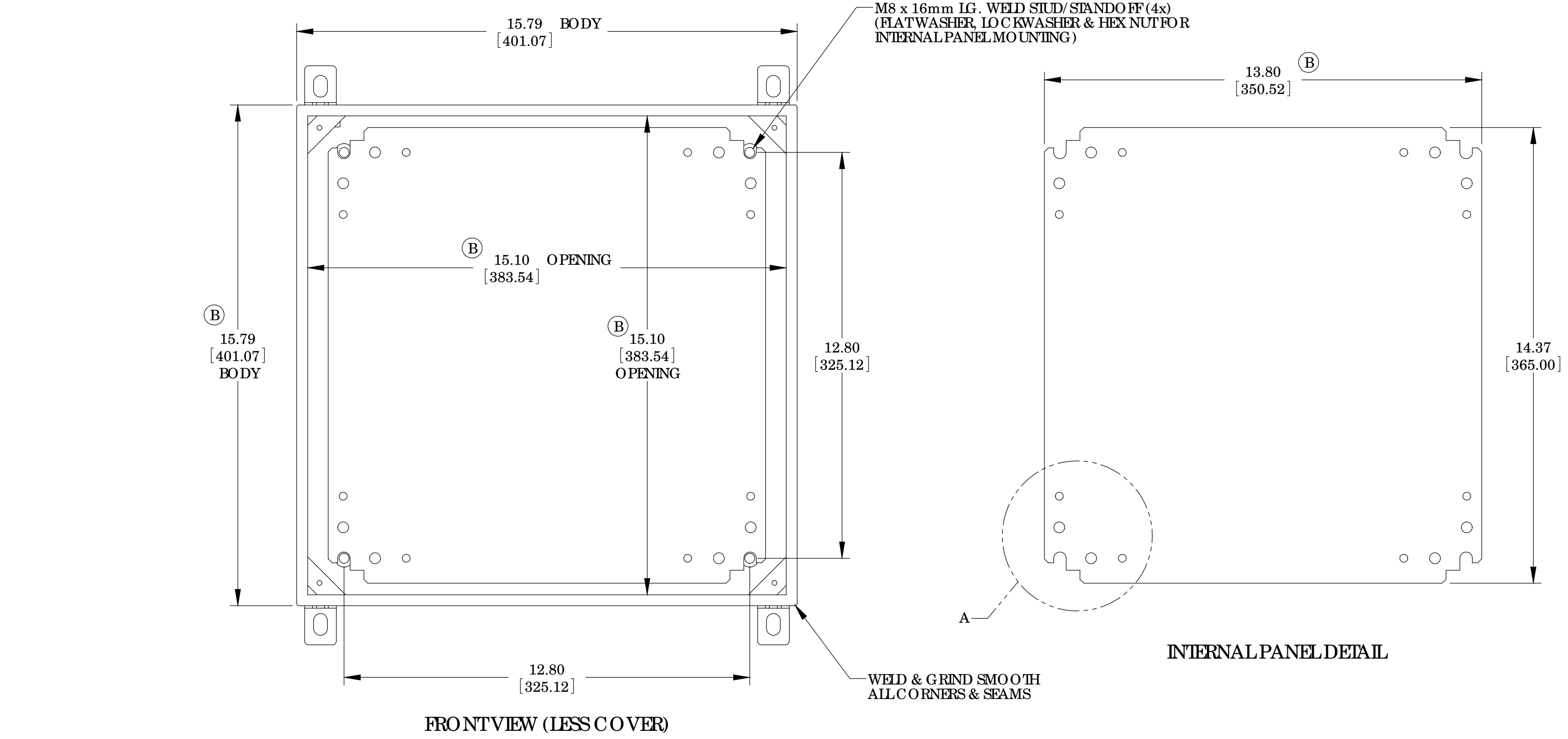
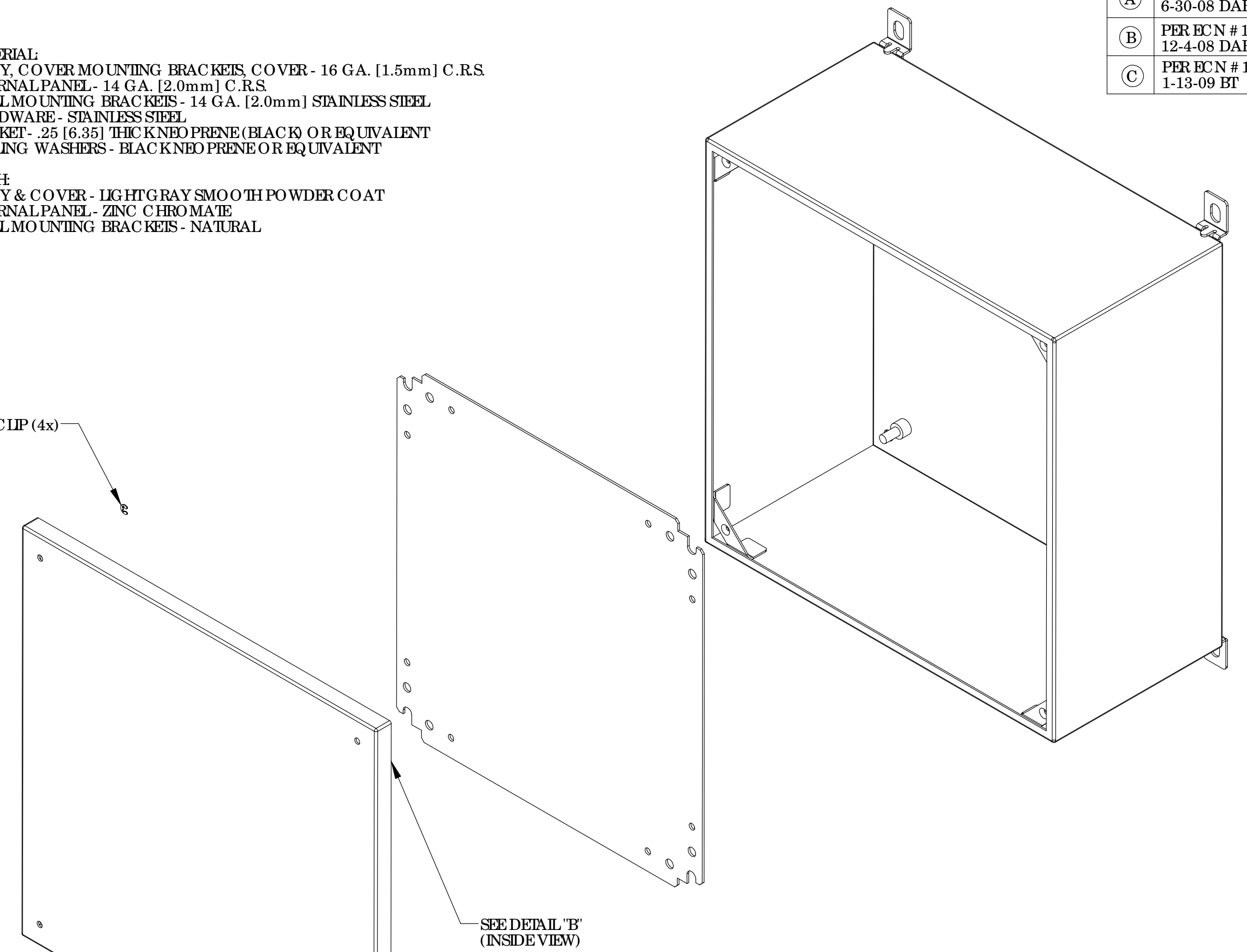
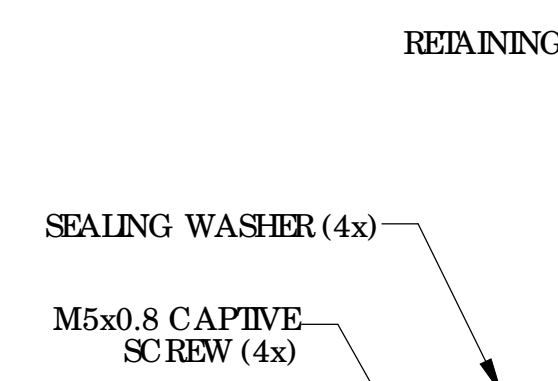
SNC-3757	
ISSUE	REVISIONS
(A)	REVISED DESIGN 6-30-08 DAB
(B)	PER ECN # 10404 12-4-08 DAB
(C)	PER ECN # 10446 1-13-09 BT



MATERIAL:
 BODY, COVER MOUNTING BRACKETS, COVER - 16 GA. [1.5mm] C.R.S.
 INTERNAL PANEL - 14 GA. [2.0mm] C.R.S.
 WALL MOUNTING BRACKETS - 14 GA. [2.0mm] STAINLESS STEEL
 HARDWARE - STAINLESS STEEL
 GASKET - .25 [6.35] THICK NED PRENE (BLACK OR EQUIVALENT)
 SEALING WASHERS - BLACK NED PRENE OR EQUIVALENT

FINISH:
 BODY & COVER - LIGHT GRAY SMOOTH POWDER COAT
 INTERNAL PANEL - ZINC CHROMATE
 WALL MOUNTING BRACKETS - NATURAL

WALL MOUNTING BRACKET KIT TO CONTAIN THE FOLLOWING:
 (4) BRACKETS, (4) BOLTS, (4) SEALING WASHERS, (4) FLAT WASHERS, (4) LOCKWASHERS & (4) HEX NUTS



FRONT VIEW (LESS COVER)

INTERNAL PANEL DETAIL

DETAIL A SCALE 2 : 2.75

PARTS LIST		BUD INDUSTRIES INC.	
UNLESS OTHERWISE SPECIFIED ALL DIMENSIONS ARE IN INCHES	CAD GENERATED DRAWING DO NOT MANUALLY UPDATE		
FOR BRANCHES USE DRAWING NO. 2.000	APPROVALS DATE	DAB	5-5-08
MATERIAL	CHANGED		
AS NOTED		NEMA SHEET METAL BOX w/LIFT-OFF SCREW COVER	
FINISH	APPROVED	SCALE	CAD FILE