



PART NAME

NEMA SHEET METAL BOX

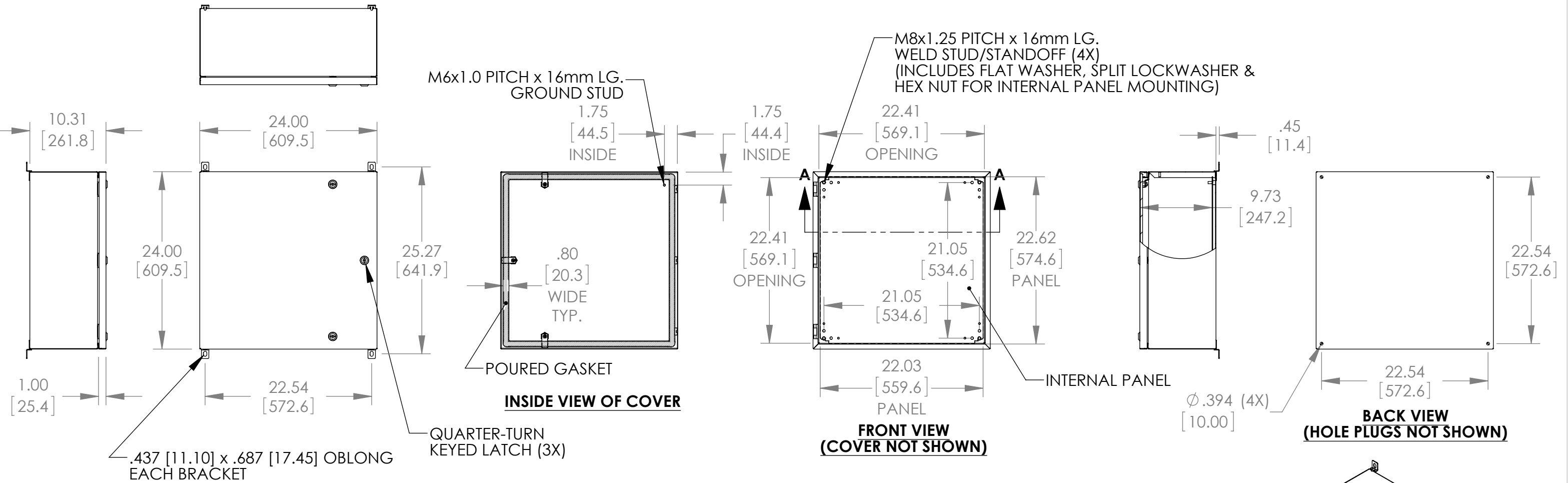
PART No.

SNB-3754

REVISION DATE

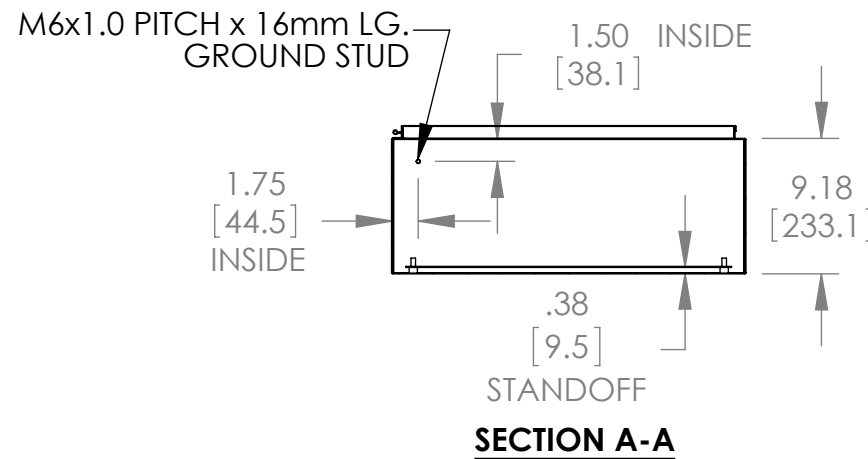
6-7-13

DESIGNED TO MEET NEMA 1, 2, 4, 4X, 12, 13 AND IP-66
UL LISTED AND TESTED TO UL508A. UL FILE #E194432



- MATERIAL:**
- BODY & COVER - 16 GA. [1.5mm] C.R.S.
 - INTERNAL PANEL - 14 GA. [2.0mm] C.R.S.
 - WALL MOUNTING BRACKETS - 14 GA. [2.0mm] TYPE 430 STAINLESS STEEL
 - STRIKERS - 11 GA. STAINLESS STEEL 304
 - HINGE PINS & WALL MOUNTING HARDWARE - TYPE 201 STAINLESS STEEL
 - INTERNAL PANEL MOUNTING HARDWARE & GROUND STUD HARDWARE - PLAIN STEEL
 - LATCHES - ZINC DIE CAST
 - LATCH GASKET WASHER - BLACK ACRYLONITRILE-BUTADIENE RUBBER
 - POURED GASKET - BLACK POLYURETHANE FOAM
 - SEALING WASHERS - BLACK NEOPRENE
 - HOLE PLUGS - LIGHT GRAY NEOPRENE

- FINISH:**
- BODY & COVER - LIGHT GRAY SMOOTH POWDER COAT
 - INTERNAL PANEL, INTERNAL PANEL MOUNTING HARDWARE & GROUND STUD HARDWARE - CLEAR ZINC PLATED
 - WALL MOUNTING BRACKETS, STRIKERS & HINGE PINS - NATURAL
 - LATCHES - CHROME PLATED



- SUPPLIED WALL MOUNTING BRACKET KIT CONTAINS:**
- QTY. (4) WALL MOUNTING BRACKETS
 - QTY. (4) HEX HEAD BOLT M10x1.5 PITCH x 19.5mm LG.
 - QTY. (8) SEALING WASHERS
 - QTY. (4) FLAT WASHERS M10
 - QTY. (4) SPLIT LOCKWASHERS M10
 - QTY. (4) HEX NUTS M10x1.5

- SUPPLIED GROUNDING KIT CONTAINS:**
- QTY. (1) GROUND WIRE 14-16 GA. YELLOW/GREEN WITH RING TERMINAL (M6) AT EACH END
 - QTY. (4) FLAT WASHER M6
 - QTY. (2) SPLIT LOCKWASHER M6
 - QTY. (2) HEX NUT M6x1.0

