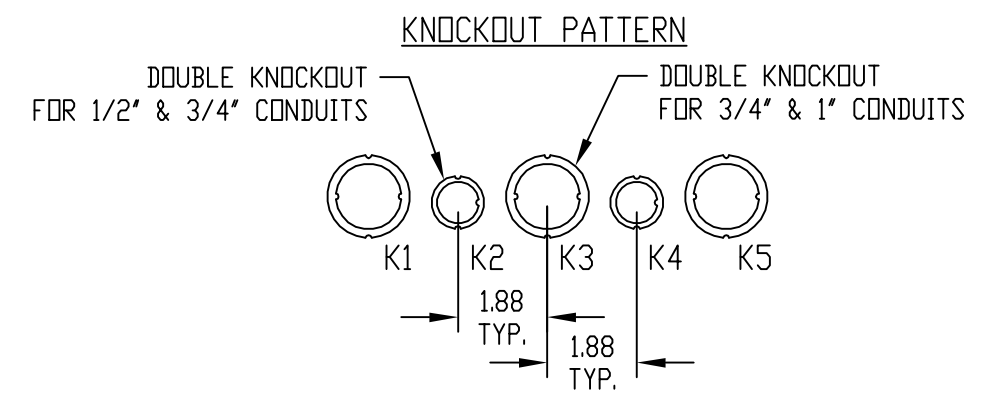
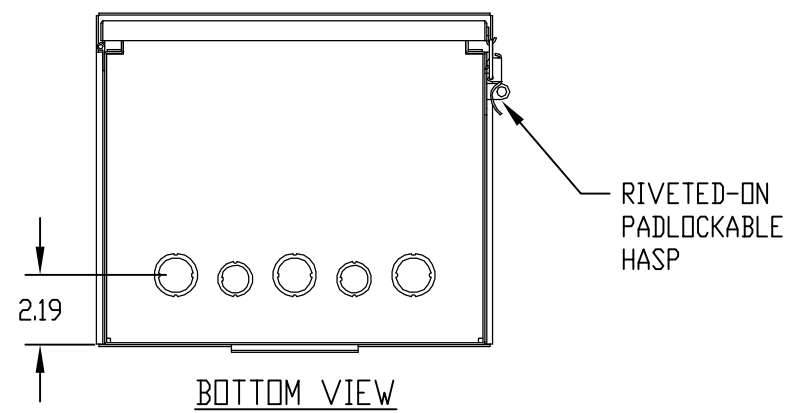


(2) HINGES ARE WELDED TO BODY & COVER - EXCEPT N3R-5801 HAS ONE HINGE ON THE CENTER OF COVER

MATERIAL:
BOX & PANEL - 16 GA. STEEL

FINISH:
BOX & PANEL - LIGHT GRAY SMOOTH POWDERCOAT

GASKET - 6mm THICK BLACK NEOPRENE



PART NO.	A	B	C	D	E	F	G	KNOCKOUT PATTERN
N3R-5801	6.00	4.00	4.00	7.00	8.00	4.25	2.25	K2-K3
N3R-5802	6.00	6.00	4.00	7.00	8.00	4.25	4.25	K2-K3-K4
N3R-5803	8.00	6.00	4.00	9.00	10.00	6.25	4.25	K2-K3-K4
N3R-5804	8.00	8.00	6.00	9.00	10.00	6.25	6.25	K2-K3-K4-K5
N3R-5805	10.00	8.00	6.00	11.00	12.00	8.25	6.25	K2-K3-K4-K5
N3R-5806	12.00	10.00	6.00	13.00	14.00	10.25	8.25	K1-K2-K3-K4-K5
N3R-5807	12.00	12.00	6.00	13.00	14.00	10.25	10.25	K1-K2-K3-K4-K5
N3R-5808	12.00	12.00	10.00	13.00	14.00	10.25	10.25	K1-K2-K3-K4-K5