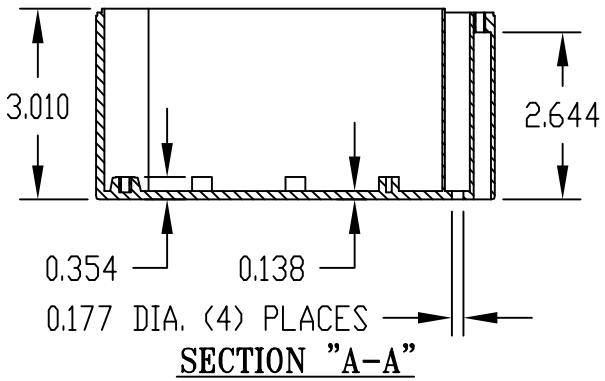
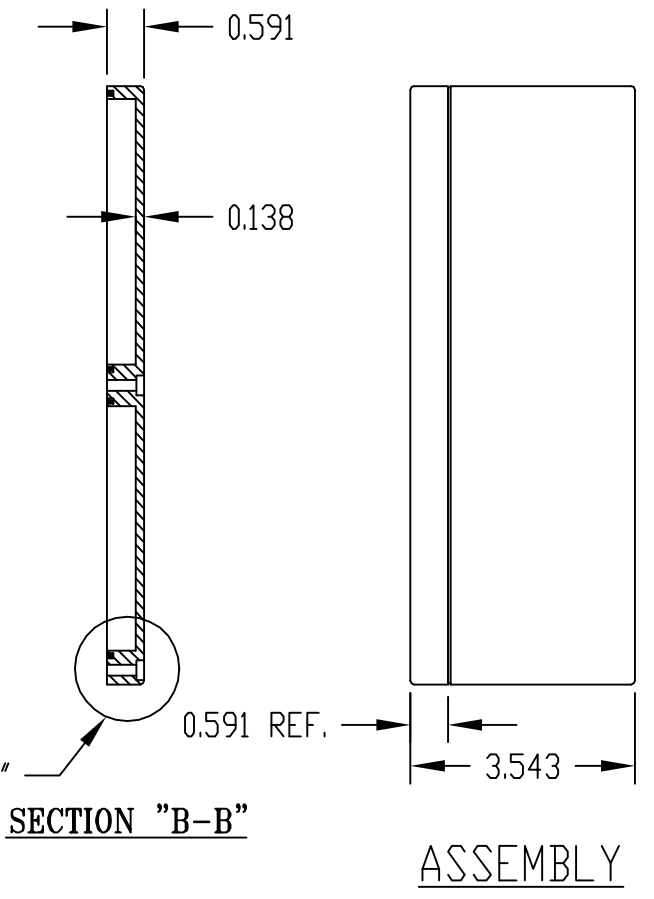
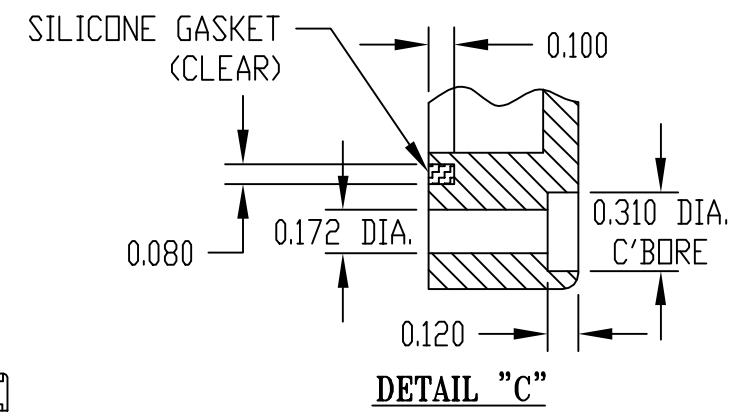
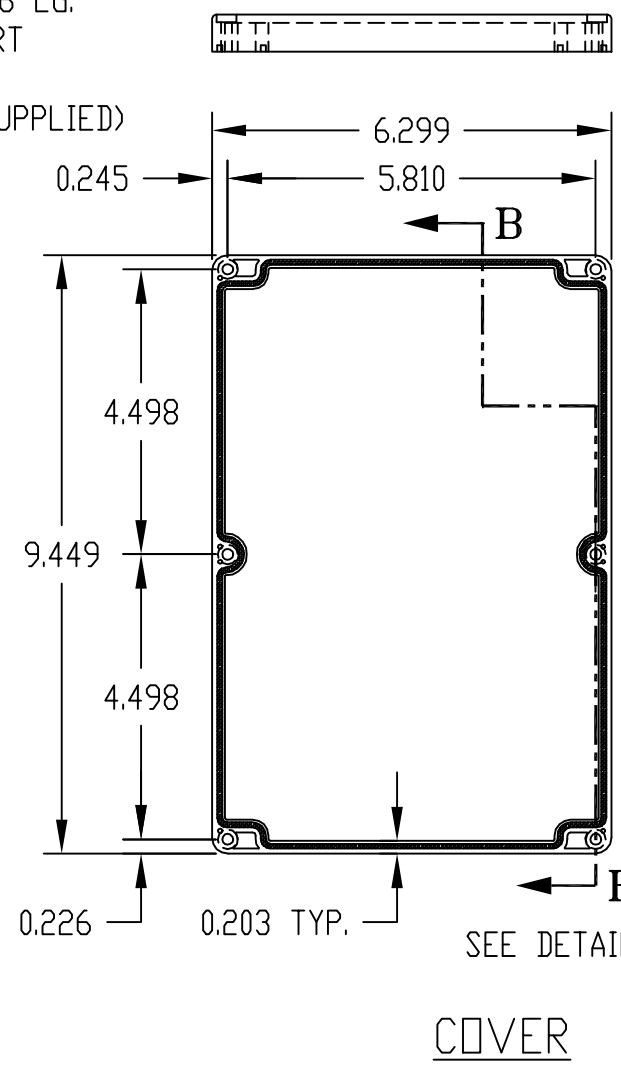
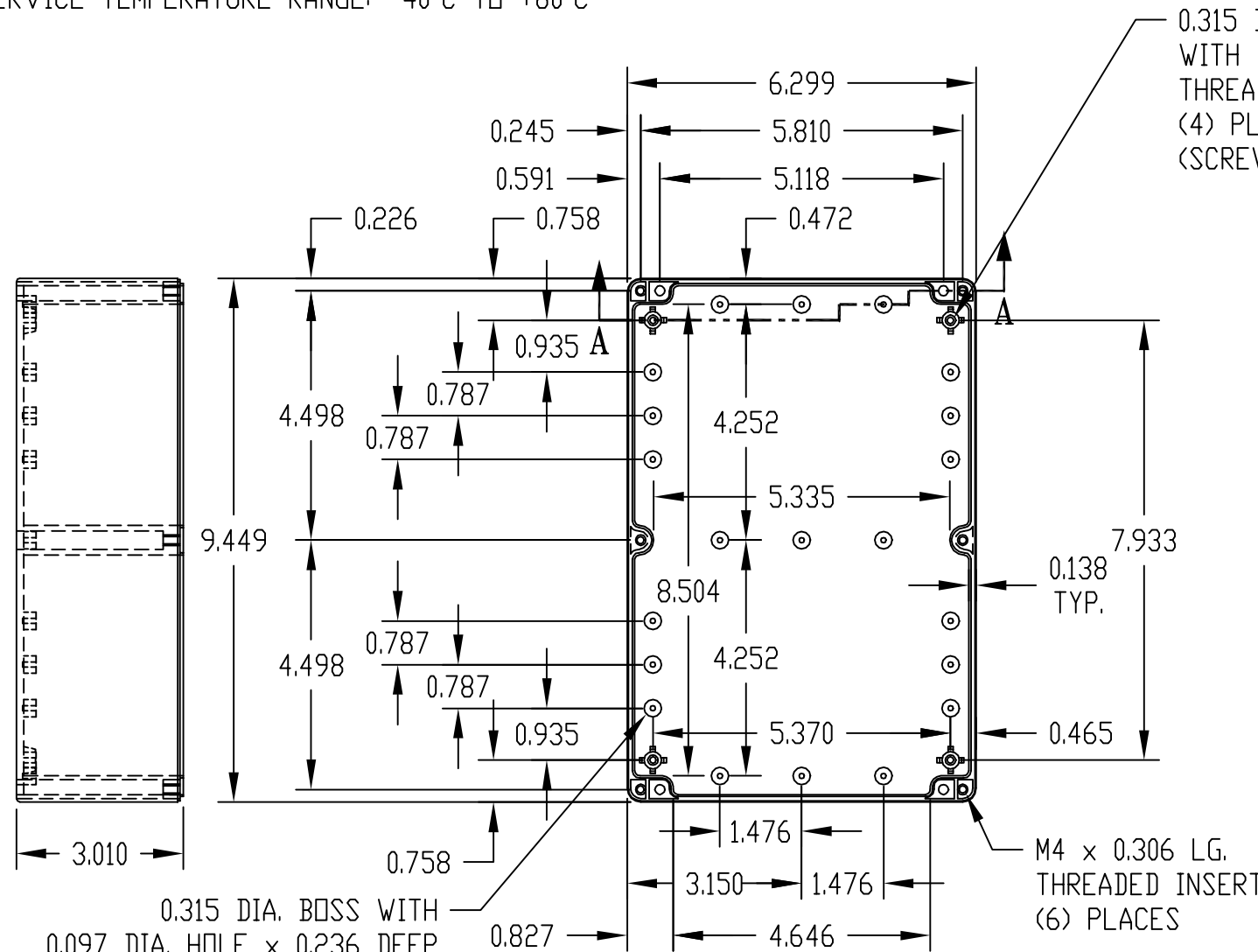


INDUSTRY STANDARDS:  
POLYCARBONATE (LIGHT GRAY AND CLEAR)  
 UL94-HB FLAMMABILITY RATING (UL FILE #E41613)  
 UV STABILIZED  
 SERVICE TEMPERATURE RANGE: -40°C TO +120°C  
ABS (DARK GRAY)  
 UL94-HB FLAMMABILITY RATING (ULFILE #E560700)  
 SERVICE TEMPERATURE RANGE: -40°C TO +80°C



NOTE: ALL DIMENSIONS HAVE ±0.015 TOLERANCE UNLESS OTHERWISE SPECIFIED.

PART NUMBER	MATERIAL		FINISH		HARDWARE KIT
	BODY	COVER	BODY	COVER	
PN-1340	POLYCARBONATE		LIGHT GRAY		KIT CONTAINS (6) M4 x 20mm (0.787") LG. SCREWS FOR ASSEMBLY
PN-1340-C	POLYCARBONATE		LIGHT GRAY	CLEAR	
PN-1340-DG	HIGH-IMPACT ABS		DARK GRAY		