

PART NAME

NEMA 4X ENCLOSURE

PART No.

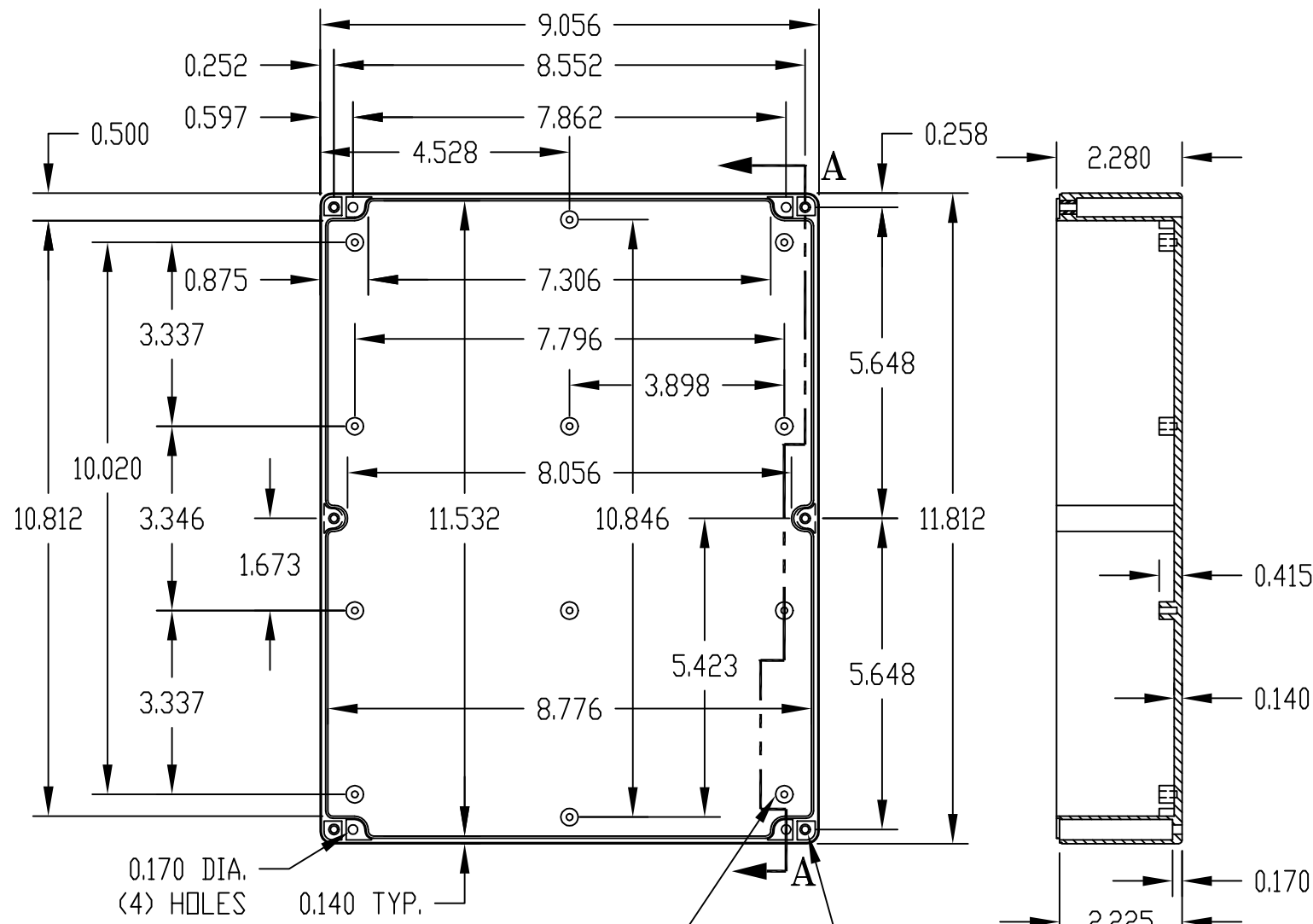
PN-1342, PN-1342-C AND PN-1342-DG

REV. DATE

11-17-08

INDUSTRY STANDARDS:

- POLYCARBONATE (LIGHT GRAY AND CLEAR)
- UL94-HB FLAMMABILITY RATING (UL FILE #E41613)
- UV STABILIZED
- SERVICE TEMPERATURE RANGE: -40°C TO +120°C
- ABS (DARK GRAY)
- UL94-HB FLAMMABILITY RATING (ULFILE #E560700)
- SERVICE TEMPERATURE RANGE: -40°C TO +80°C

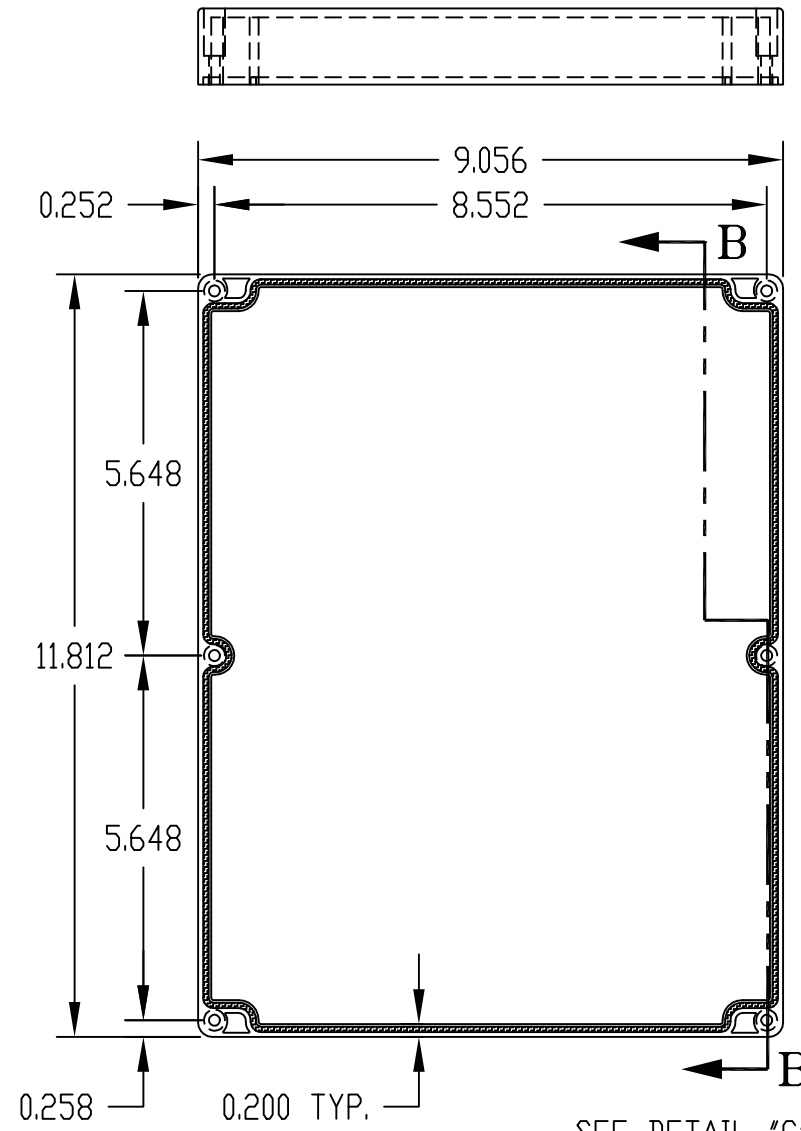
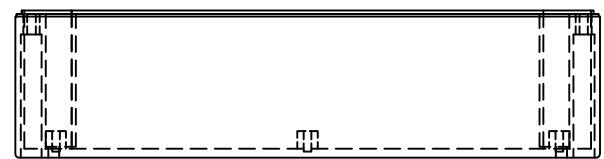


SECTION "A-A"

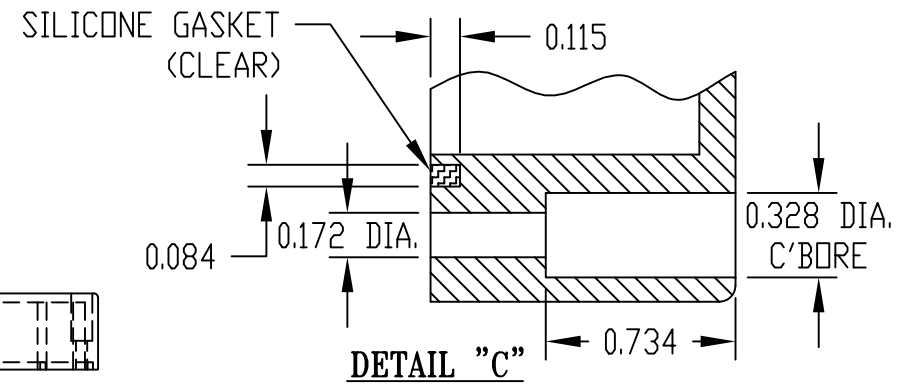
0.315 DIA. BOSS WITH  
0.120 DIA. HOLE x 0.320 DEEP  
(12) PLACES  
MOUNTING BOSSSES USE EITHER  
M3 METRIC OR #6 STD. SHEET  
METAL SCREWS x 0.312 LG.  
(NOT SUPPLIED)

M4 x 0.315 LG.  
THREADED INSERT  
(6) PLACES

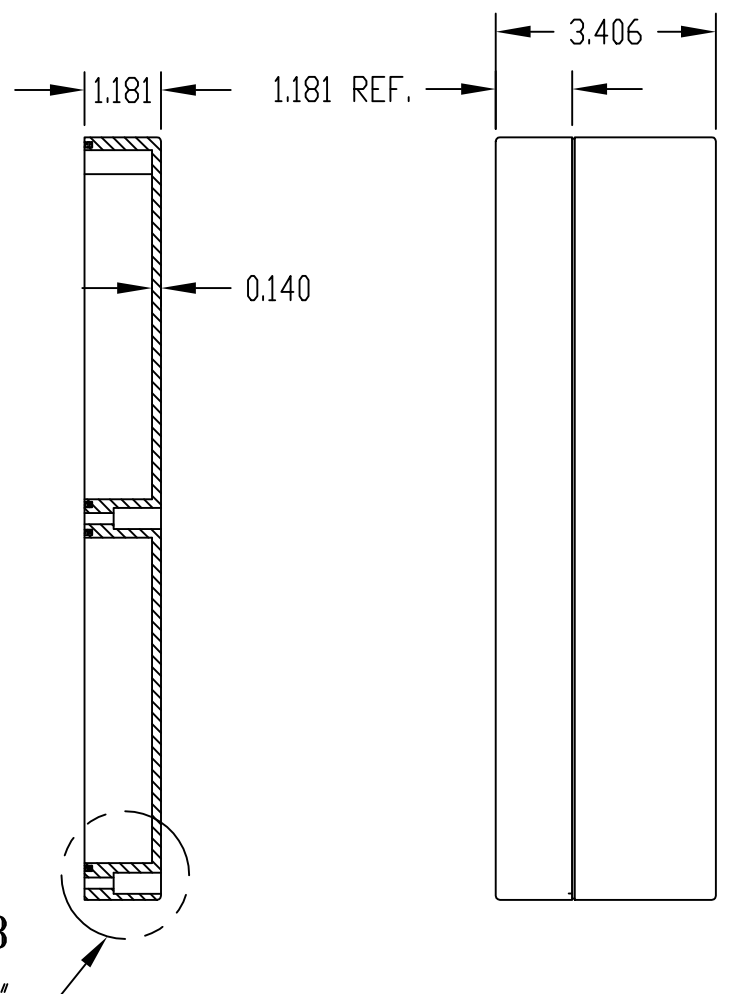
BODY



COVER



DETAIL "C"



SECTION "B-B"

NOTE: ALL DIMENSIONS HAVE ±0.015 TOLERANCE UNLESS OTHERWISE SPECIFIED.

PART NUMBER	MATERIAL		FINISH		HARDWARE KIT
	BODY	COVER	BODY	COVER	
PN-1342	POLYCARBONATE		LIGHT GRAY		KIT CONTAINS (6) M4 x 25mm (1.000") LG. SCREWS FOR ASSEMBLY
PN-1342-C	POLYCARBONATE		LIGHT GRAY	CLEAR	
PN-1342-DG	HIGH-IMPACT ABS		DARK GRAY		