

PART NAME

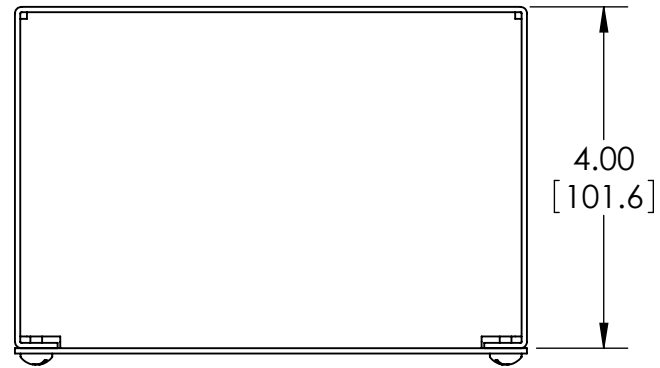
JUNCTION BOX

PART No.

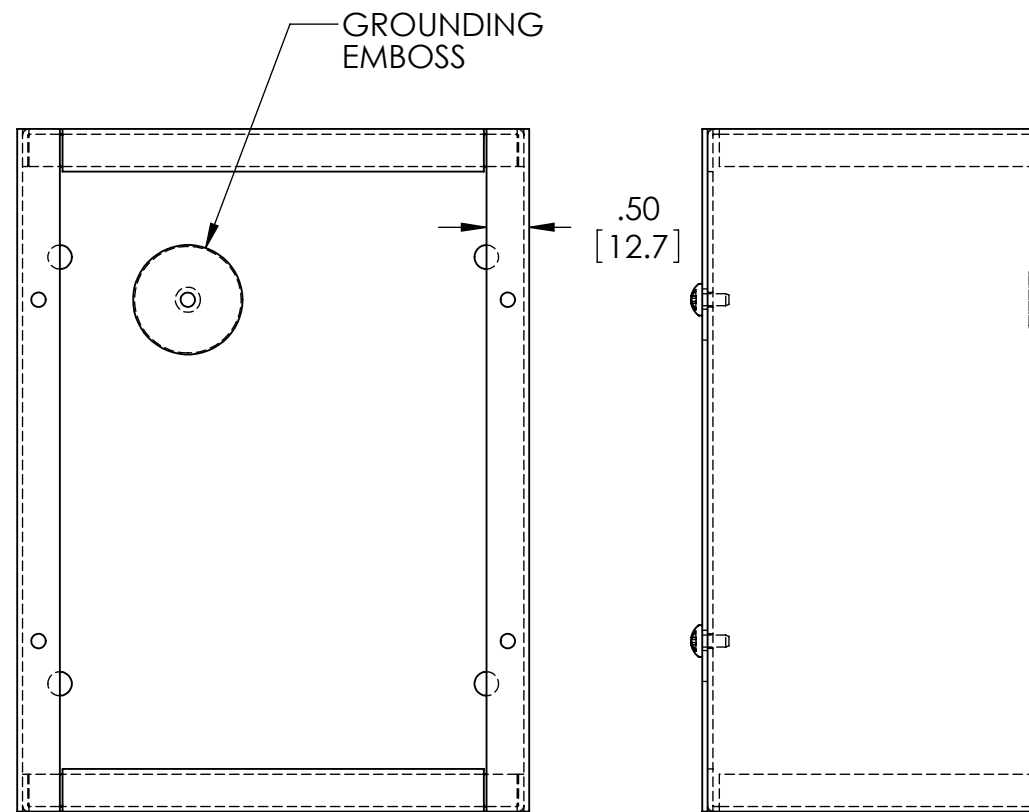
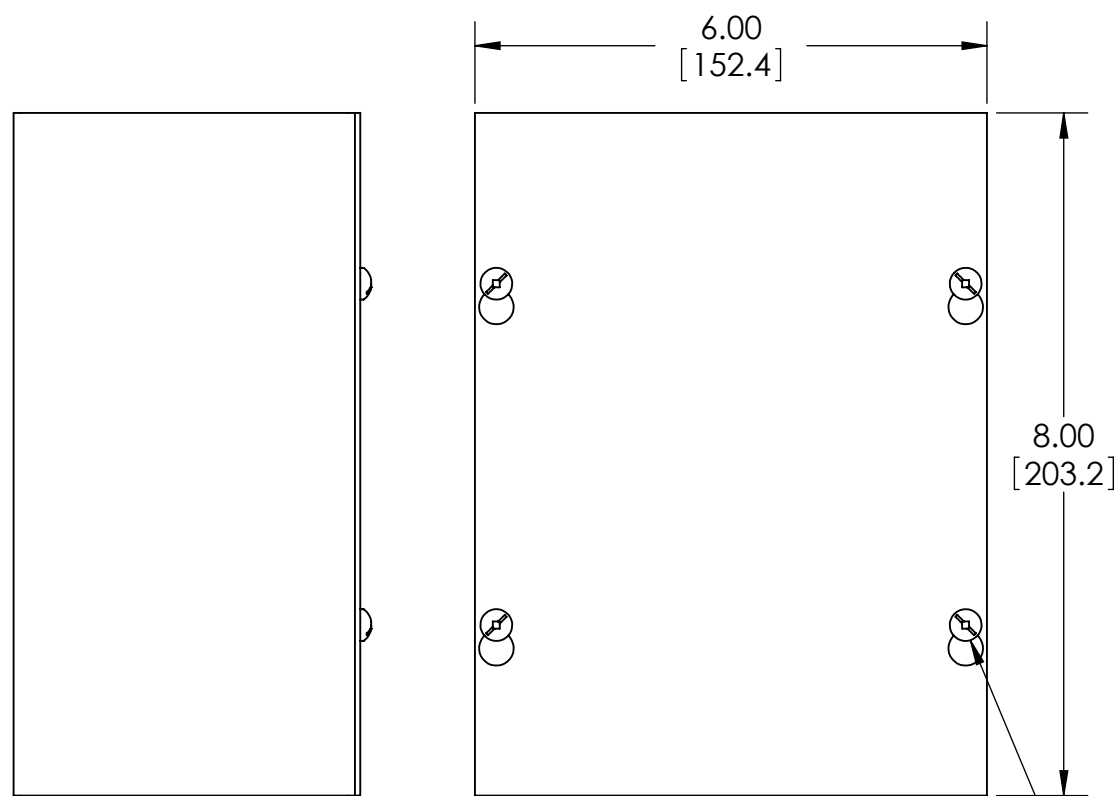
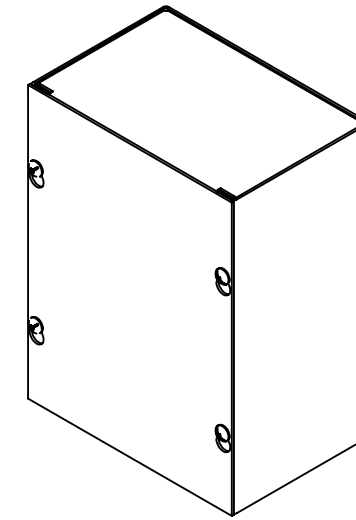
JB-3956

REVISION DATE

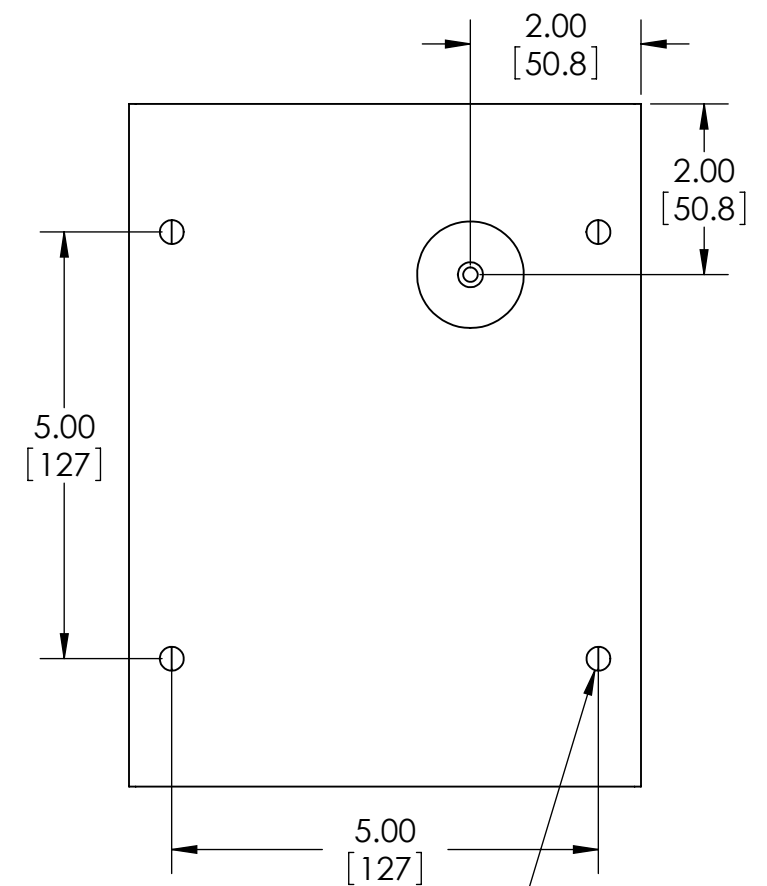
7-18-11



MATERIAL - 16 GA. [1.5mm] STEEL
 FINISH - SMOOTH GRAY POWDERCOAT



COVER REMOVED



Ø.281
[7.14]

SCREWS: #10-32 x .31" [8mm] LG.
 MACHINE, PAN HEAD, SLOTTED/SQUARE
 COMBINATION STYLE DRIVE, STEEL, ZINC PLATED.
 (SUPPLIED FOR COVER MOUNTING AND
 FOR GROUND POINT).