

PART NAME

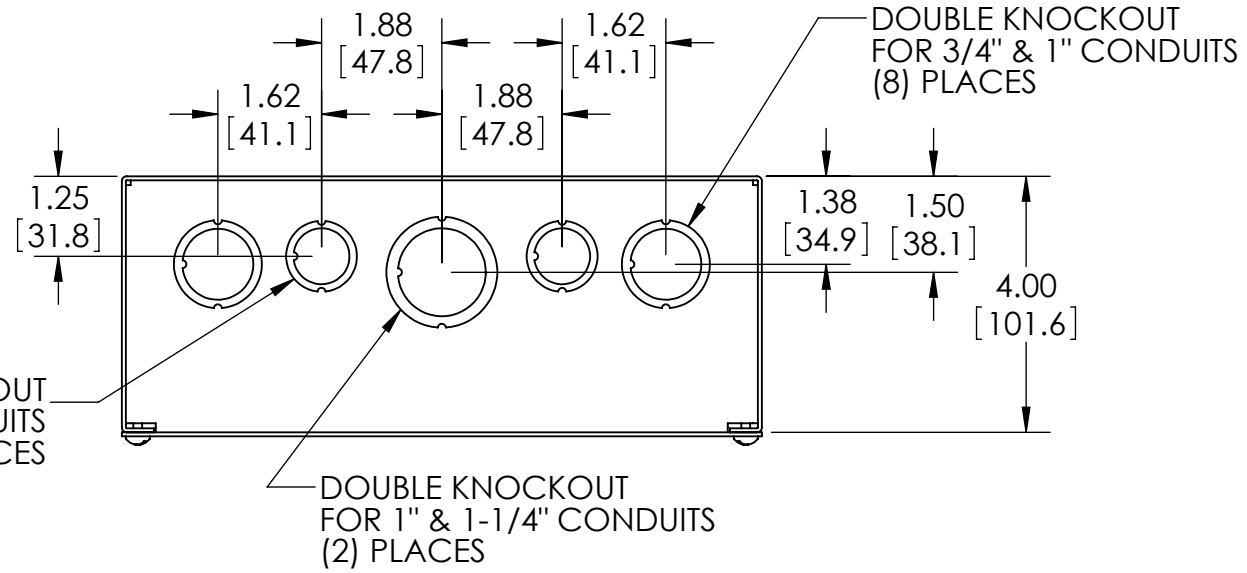
# JUNCTION BOX w / KNOCKOUTS

PART No.

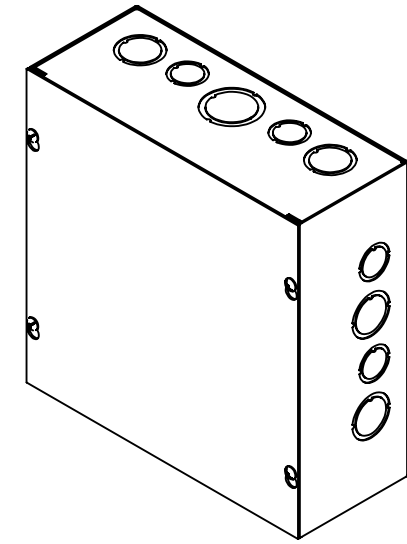
JB-3960-KO

REVISION DATE

7-18-11

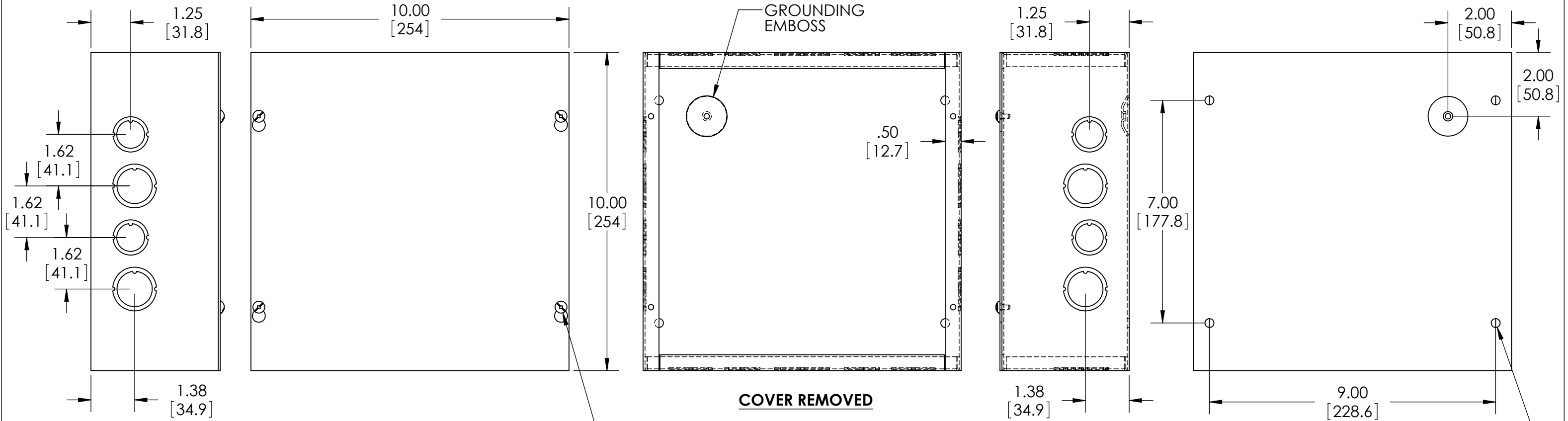


MATERIAL - 16 GA. [1.5mm] STEEL  
 FINISH - SMOOTH GRAY POWDERCOAT



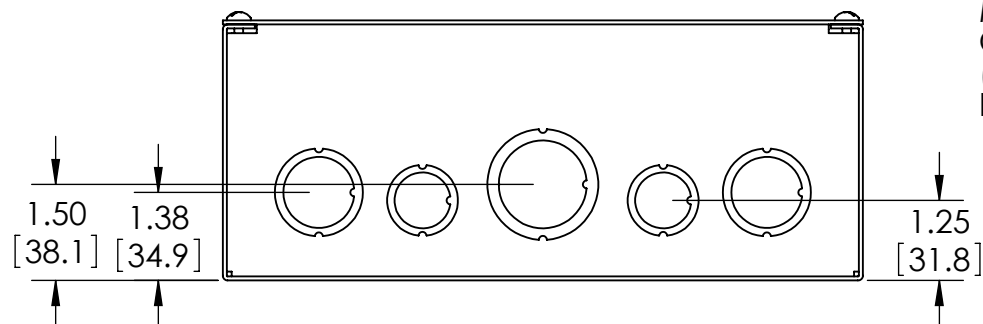
DOUBLE KNOCKOUT FOR 1/2" & 3/4" CONDUITS (8) PLACES

DOUBLE KNOCKOUT FOR 1" & 1-1/4" CONDUITS (2) PLACES



**COVER REMOVED**

SCREWS: #10-32 x .31" [8mm] LG. MACHINE, PAN HEAD, SLOTTED/SQUARE COMBINATION STYLE DRIVE, STEEL, ZINC PLATED. (SUPPLIED FOR COVER MOUNTING AND FOR GROUND POINT).



$\phi$ .281 [7.14]