

PART  
NAME

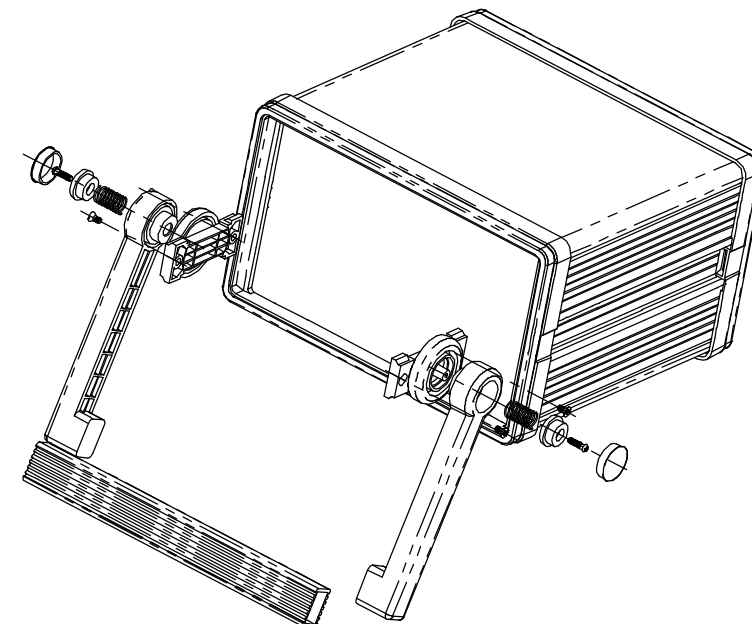
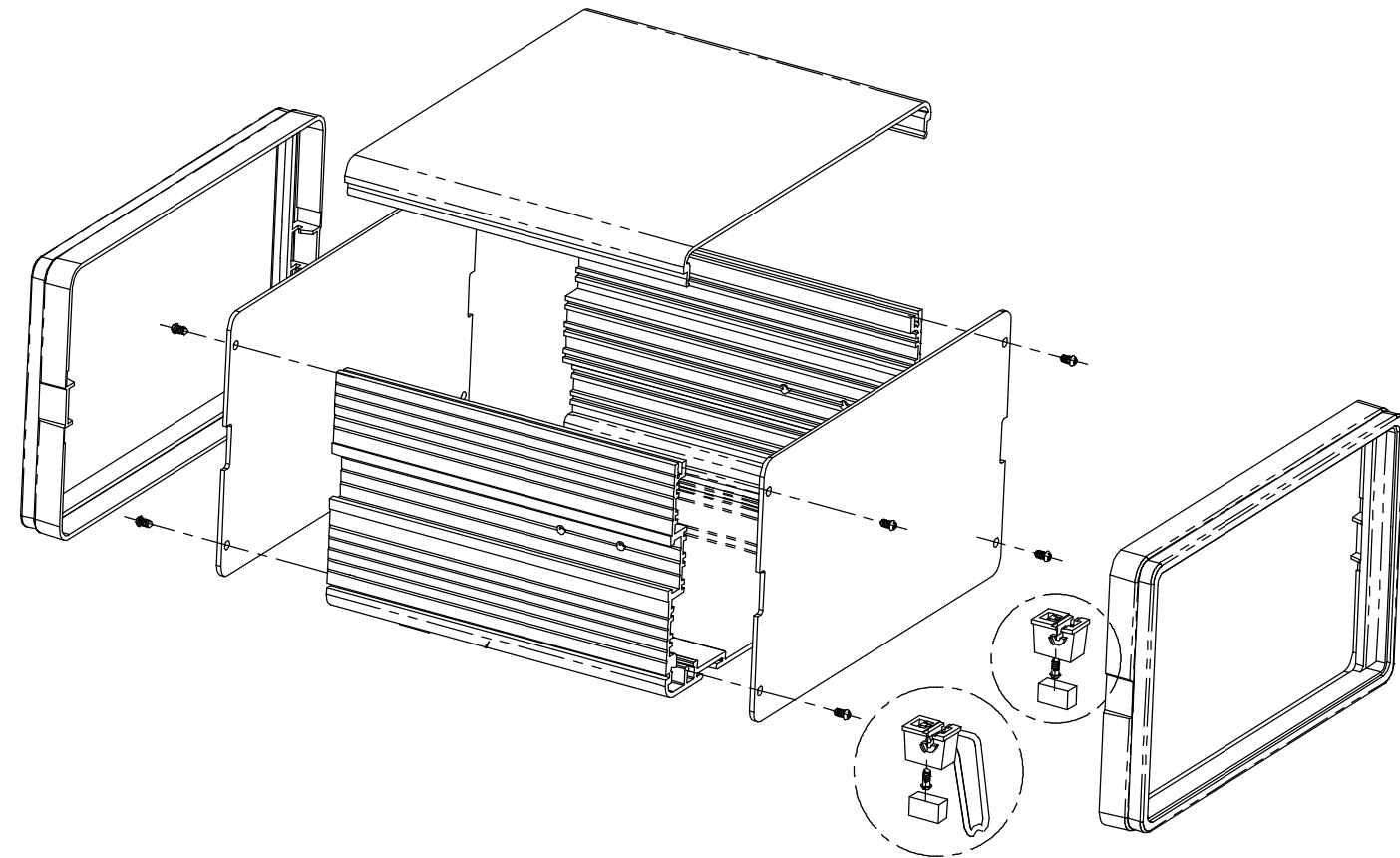
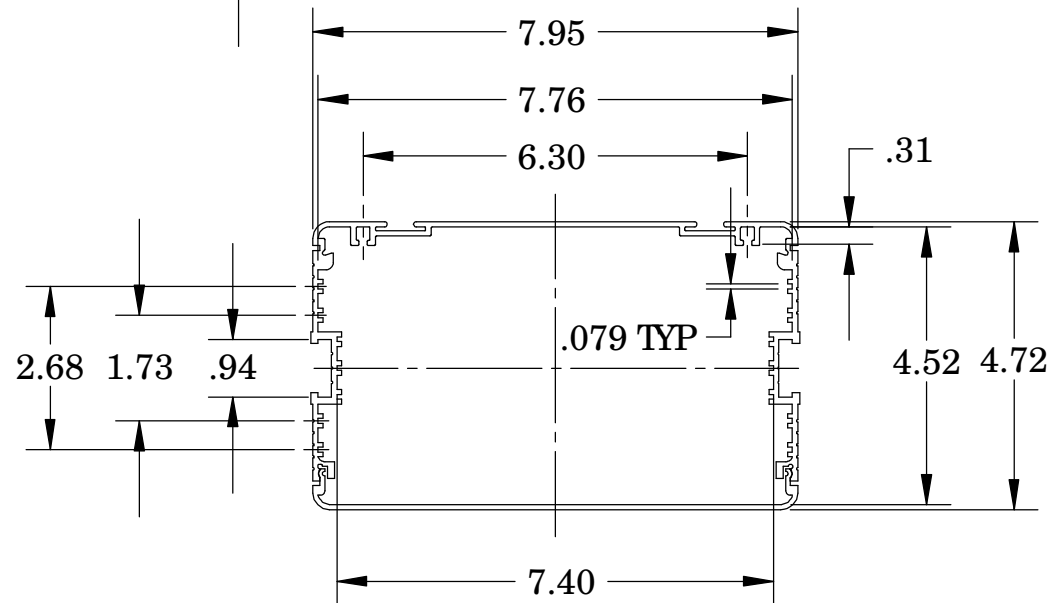
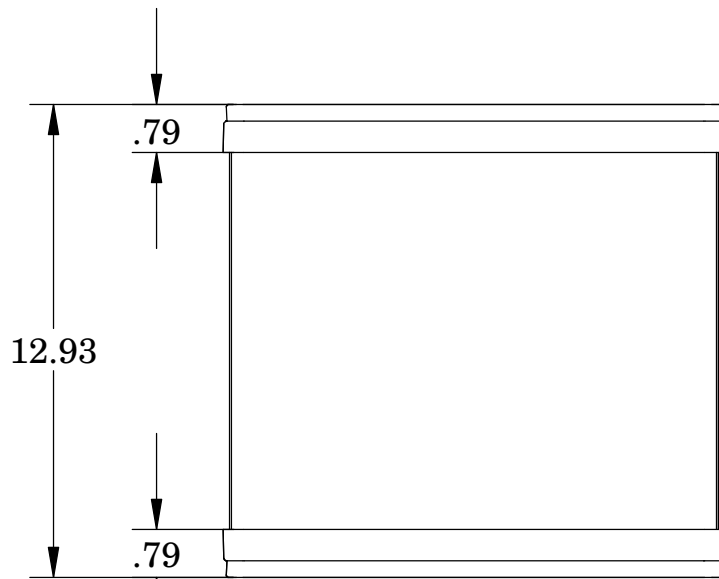
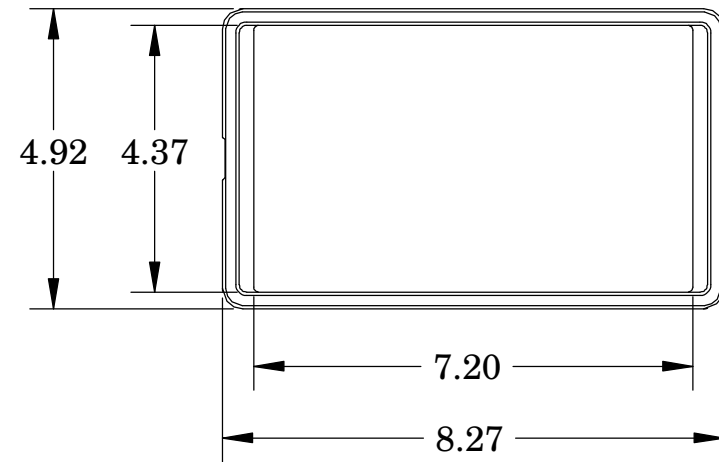
ALUMINUM INSTRUMENT CASE

PART  
No.

IA-6162

REVISION  
DATE

-



MATERIAL AND FINISH:  
 BODY: EARTH TONE POWDER COATED ALUMINUM EXTRUSION  
 BEZELS: LIGHT BROWN PLASTIC  
 PANELS: NATURAL ALUMINUM  
 HANDLE: LIGHT GRAY PLASTIC / ANODIZED ALUMINUM EXTRUSION

DIMENSIONS ARE IN INCHES