

PART
NAME

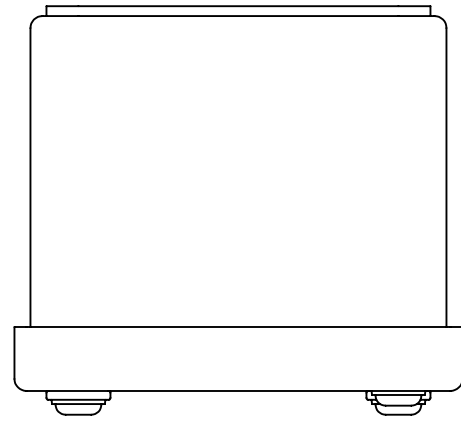
30.5mm PUSHBUTTON ENCLOSURE

PART
No.

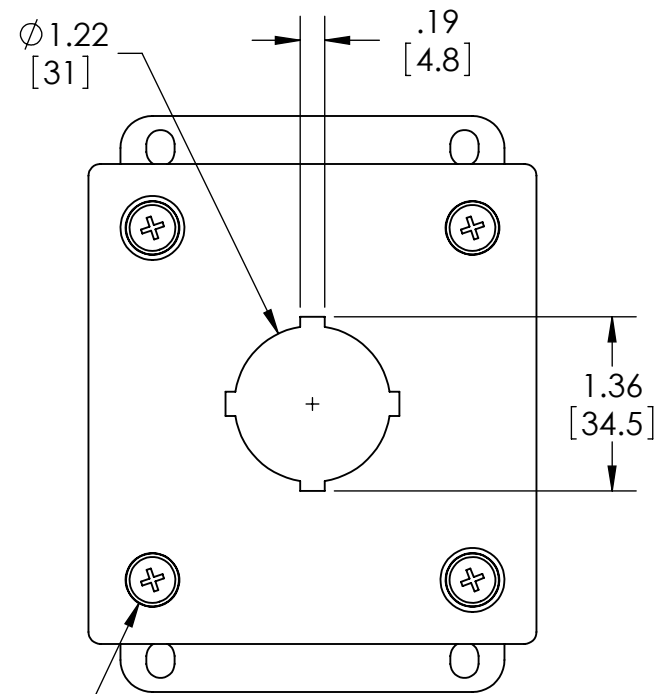
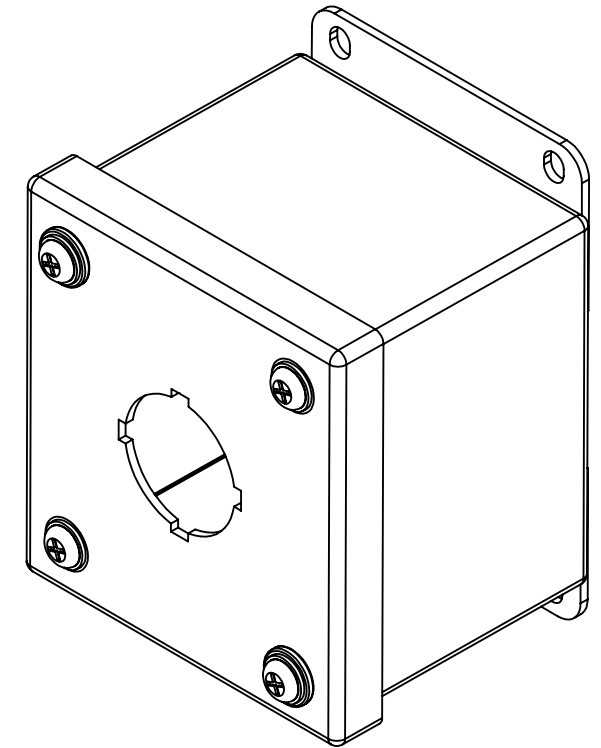
SPB-3921

REVISION
DATE

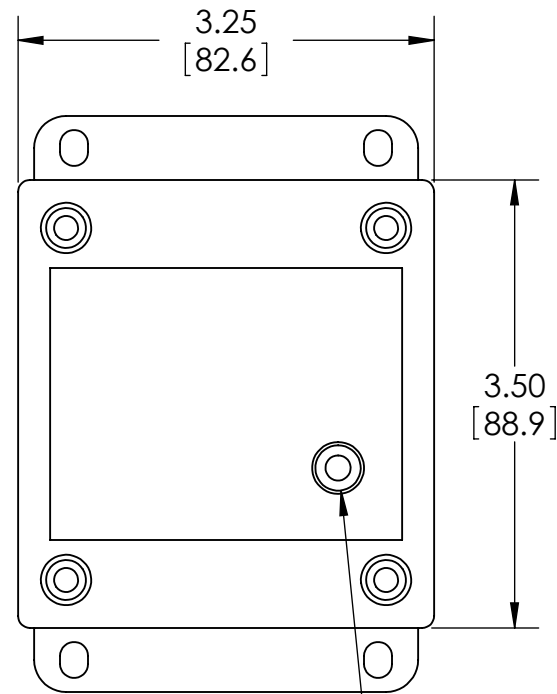
1-31-11



MATERIAL - 14 GA. [2.0mm] STEEL
 FINISH - SMOOTH GRAY POWDERCOAT
 UL LISTED TYPE DTOV2

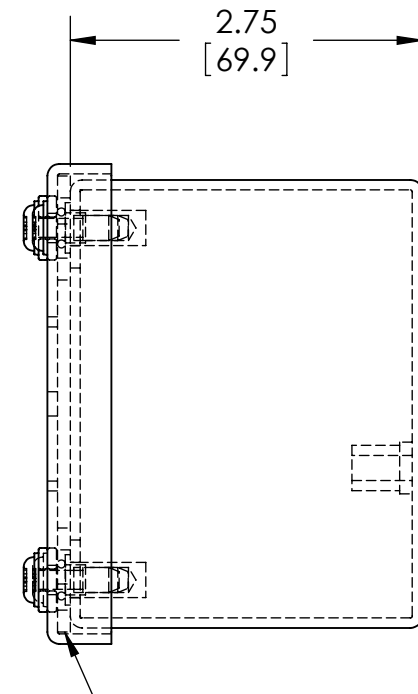


CAPTIVE SCREW M5x0.8 x 16mm LG.,
 WASHER HEAD, PHILLIPS DRIVE, STEEL,
 ZINC PLATED, WITH SEALING WASHER,
 NEOPRENE, BLACK AND O-RING,
 BUNA-N, BLACK

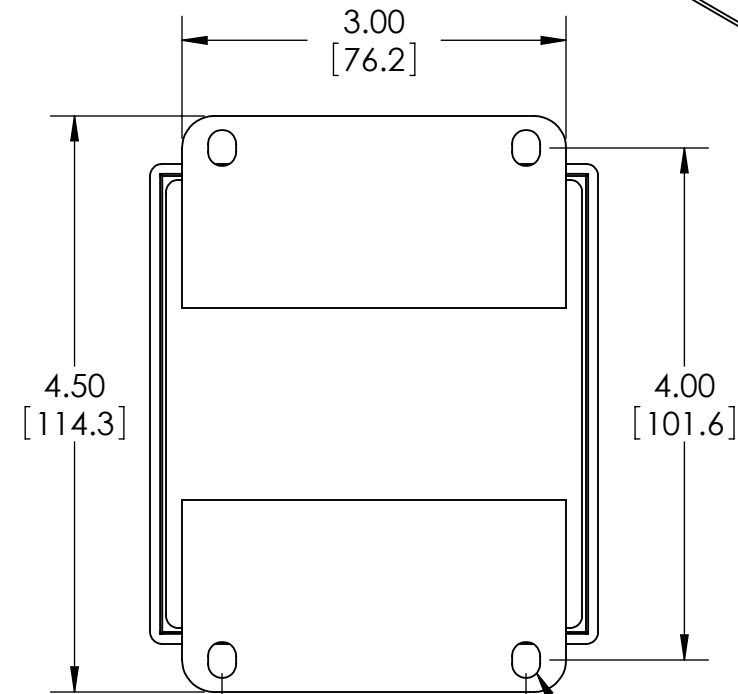


COVER REMOVED

WELD STANDOFF M5x0.8 x 12mm LG.
 FOR GROUNDING [SUPPLIED WITH
 (1) SCREW M5x0.8 x 10mm LG., PAN HEAD,
 PHILLIPS DRIVE, STEEL, ZINC PLATED
 AND (1) LOCKWASHER, INTERNAL TOOTH,
 STEEL, ZINC PLATED]



ONE-PIECE DIE-CUT GASKET
 (.25[6.3] THK. PORON #4701-41-15250-04
 - BLACK) INSIDE COVER.



2.38 [60.3] .22 [5.6] x .28 [7.1] OBLONG