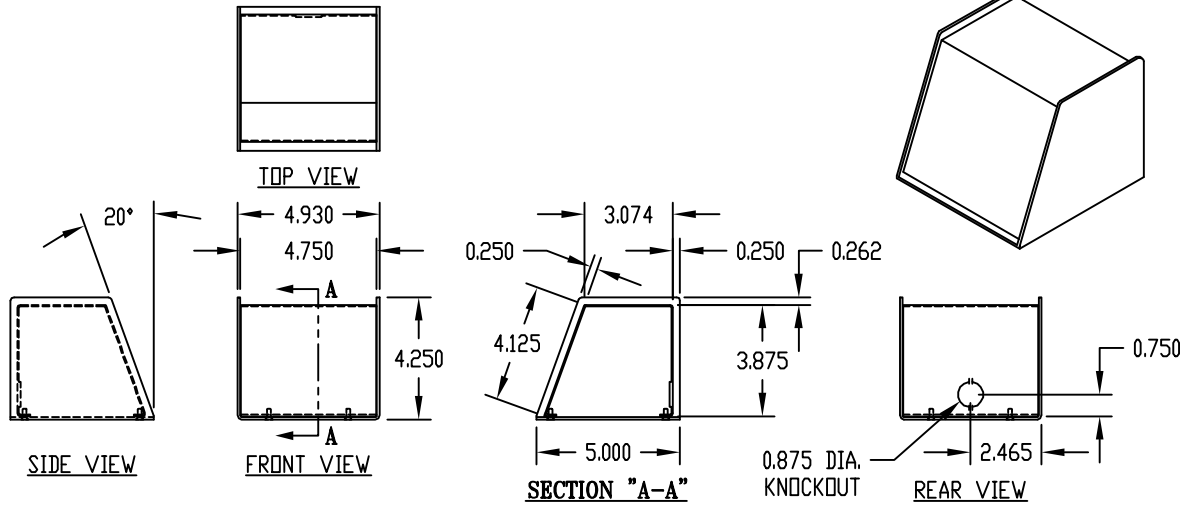


PART NAME

SLOPE ENCLOSURE

PART No.

SC-12100



MATERIAL:

BASE ____ 0.090 THK. ALUMINUM
COVER ____ 0.050 THK. ALUMINUM

FINISH:

BASE ____ BLACK TEXTURED
COVER ____ WHITE (PREPAINTED)
FEET ____ BLACK

SHIPPED UNASSEMBLED

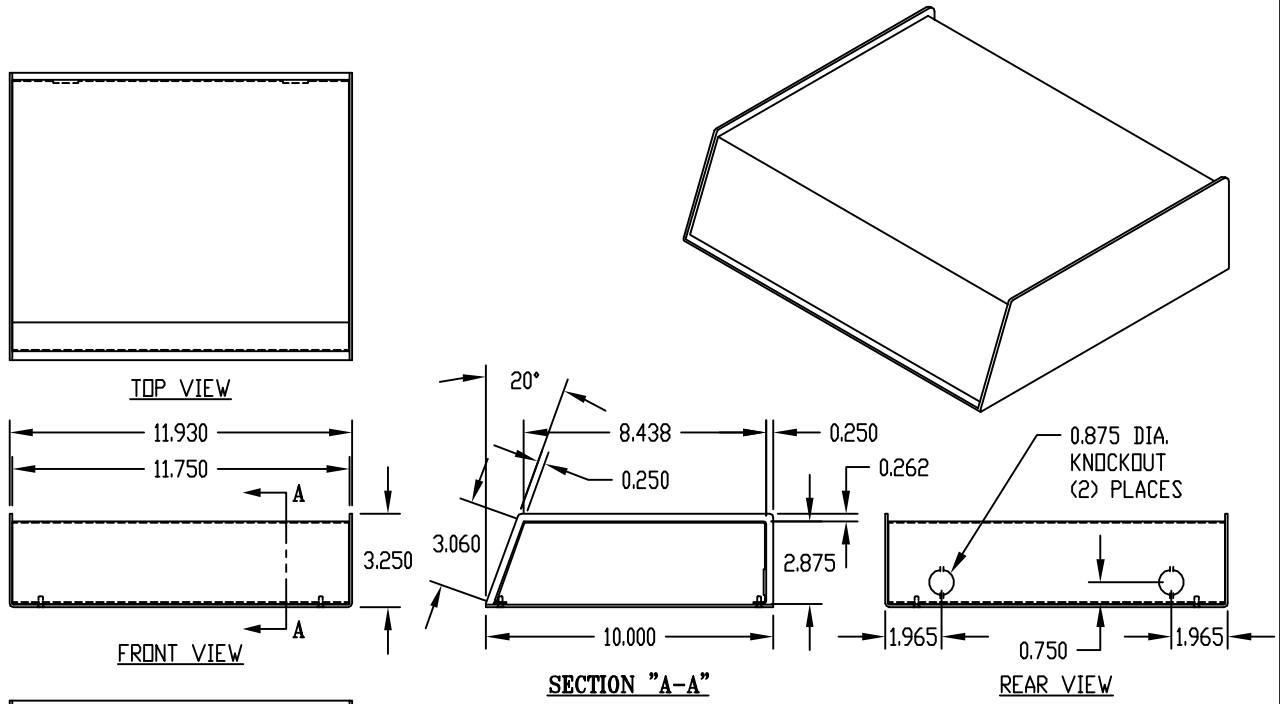
SUPPLIED WITH FOUR (4) #6-32 x 3/8 LG. SCREWS
AND FOUR (4) SELF-ADHESIVE FEET.

PART NAME

SLOPE ENCLOSURE

PART No.

SC-12101



MATERIAL:

BASE ____ 0.090 THK. ALUMINUM
COVER ____ 0.050 THK. ALUMINUM

FINISH:

BASE ____ BLACK TEXTURED
COVER ____ WHITE (PREPAINTED)
FEET ____ BLACK

SHIPPED UNASSEMBLED

SUPPLIED WITH FOUR (4) #6-32 x 3/8 LG. SCREWS
AND FOUR (4) SELF-ADHESIVE FEET.

BOTTOM VIEW