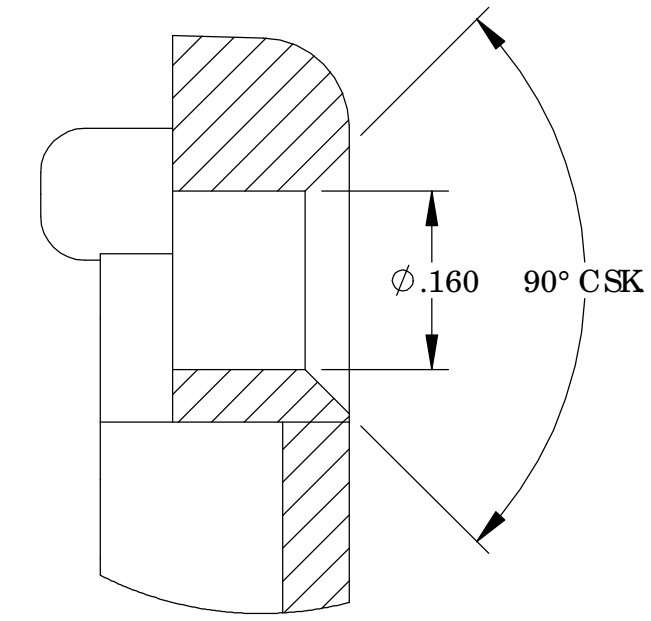
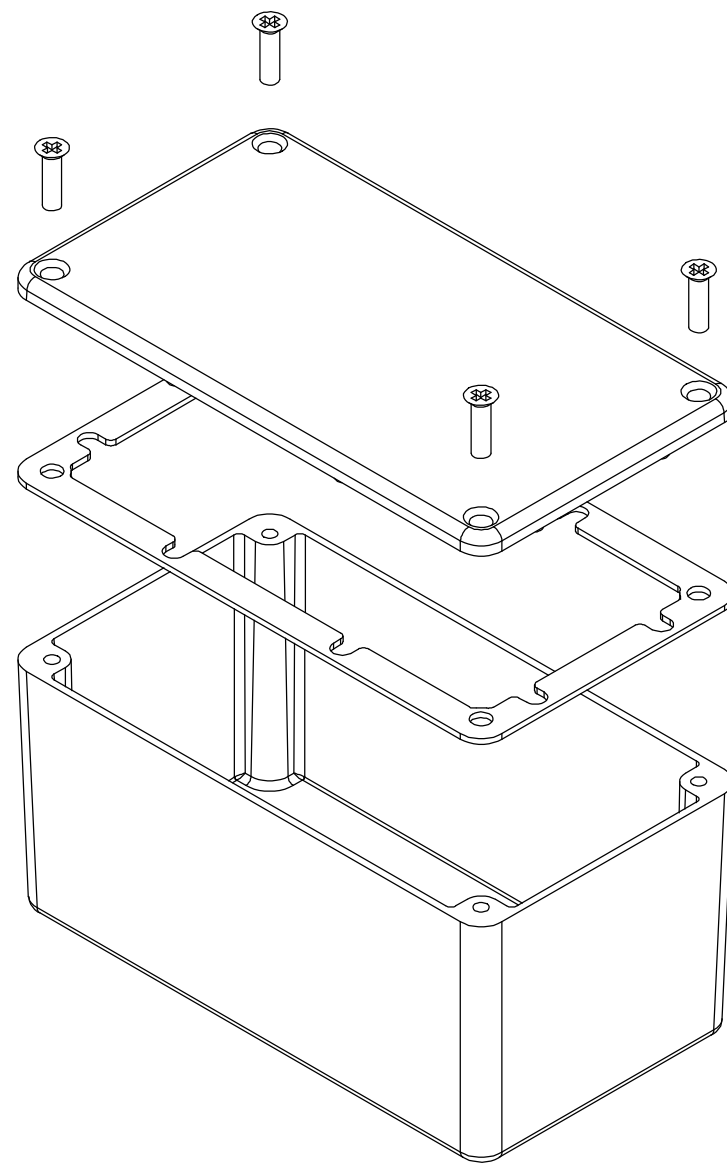


THE INFORMATION CONTAINED IN THIS DRAWING IS THE SOLE PROPERTY OF BUD INDUSTRIES INC. ANY REPRODUCTION IN PART OR WHOLE WITHOUT THE WRITTEN PERMISSION OF BUD INDUSTRIES INC. IS PROHIBITED.

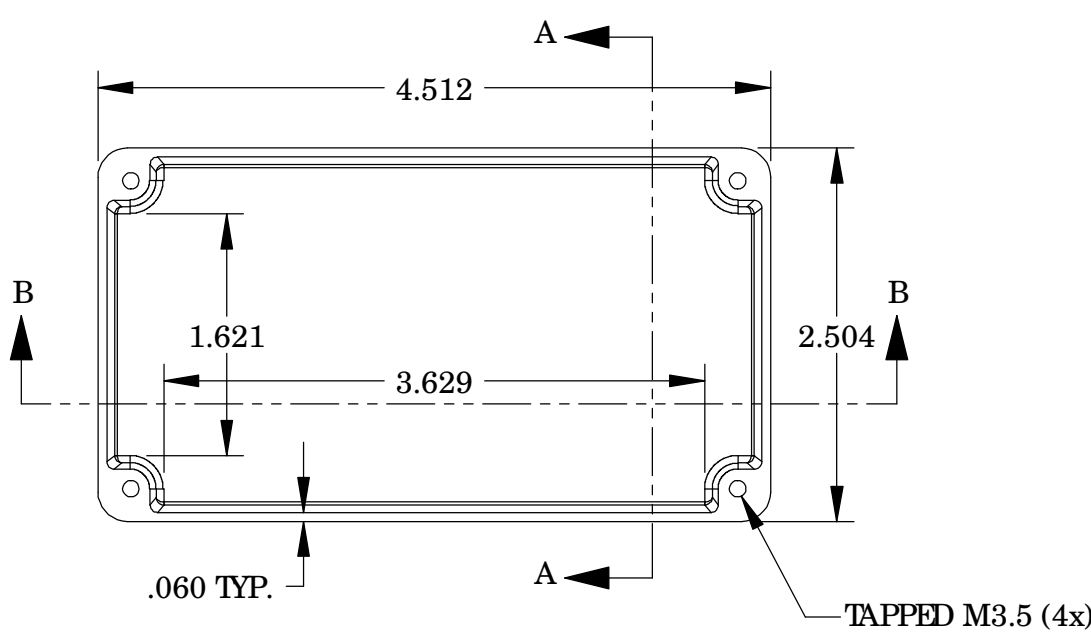
DWG. NO.	CN-5704
ISSUE	REVISIONS

MATERIAL - ALUMINUM ALLOY # ADC-12  
 FINISH - NATURAL (CONTACT BUD FACTORY FOR ALTERNATE FINISHES)  
 GASKET - RATED IP65 NEO PRENE, SELF-ADHESIVE, 3mm THICK, COLOR BLACK  
 SCREWS - STAINLESS STEEL, M3.5 x 12mm LG., CSK HEAD, SELF-THREADING

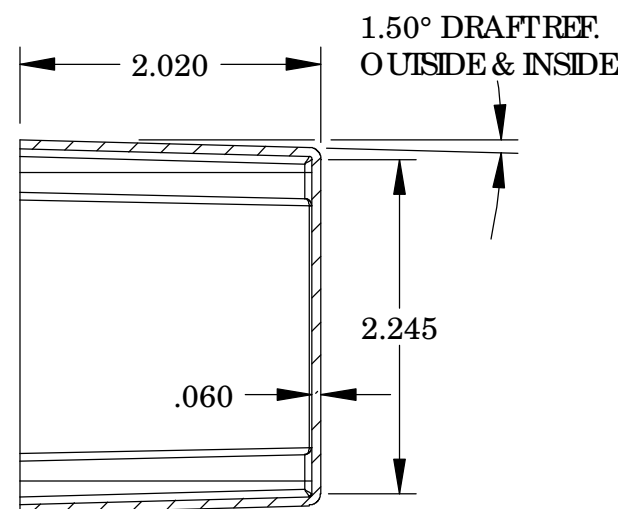
ALL HOLE DIAMETERS HAVE ±.005 TOLERANCE  
 ALL OTHER DIMENSIONS HAVE ±.015 TOLERANCE  
 ENCLOSURES ARE SHIPPED UNASSEMBLED WITH ALL ITEMS SHOWN.



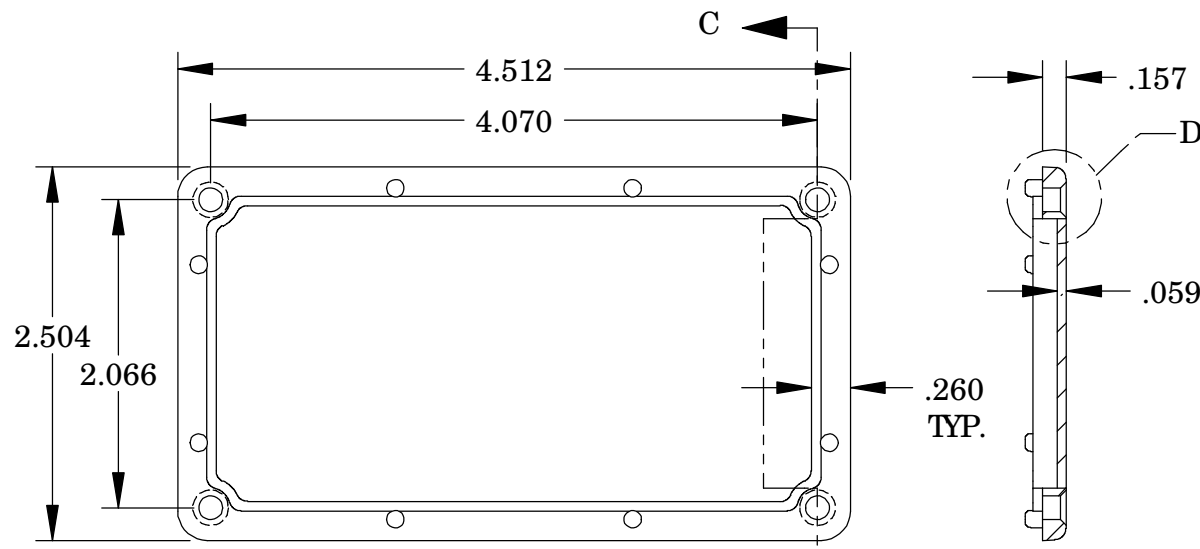
DETAIL D  
SCALE 6:1



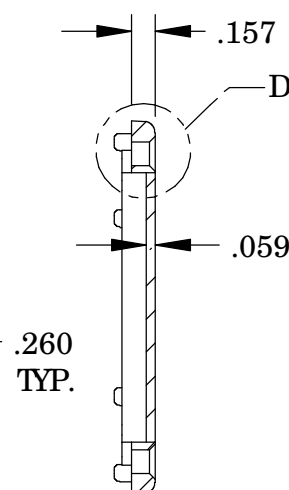
BODY



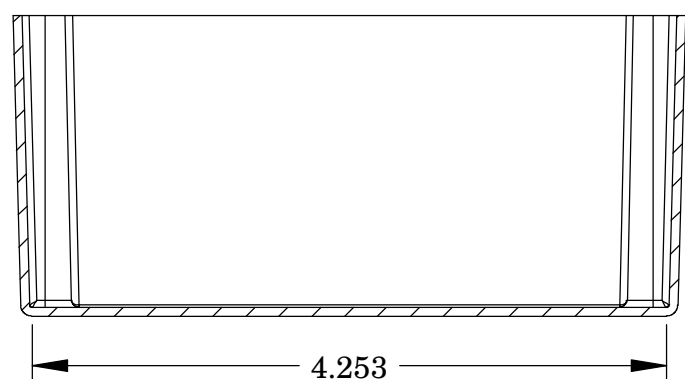
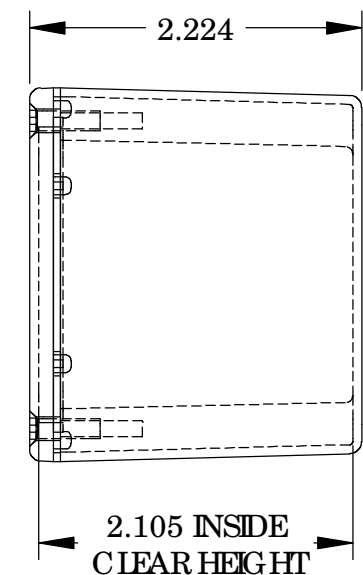
SECTION A-A



COVER



SECTION C-C



SECTION B-B

PARTS LIST		CAD GENERATED DRAWING, DO NOT MANUALLY UPDATE		BUD INDUSTRIES INC.	
APPROVALS	DATE	DRAWN		DIE CAST ALUMINUM ENCLOSURE	
DAB	3-31-06	CHECKED		DWG. NO. CN-5704	
AS NOTED	APPROVED	FINISH		REV.	
AS NOTED					
QTY.	USED ON	DO NOT SCALE DRAWING		SCALE CAD FILE	
				SUBSET 1 OF 1	