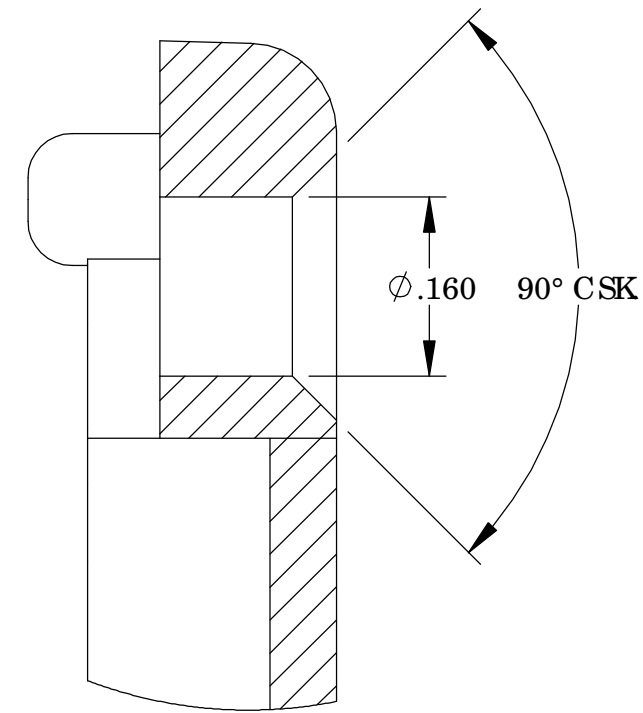
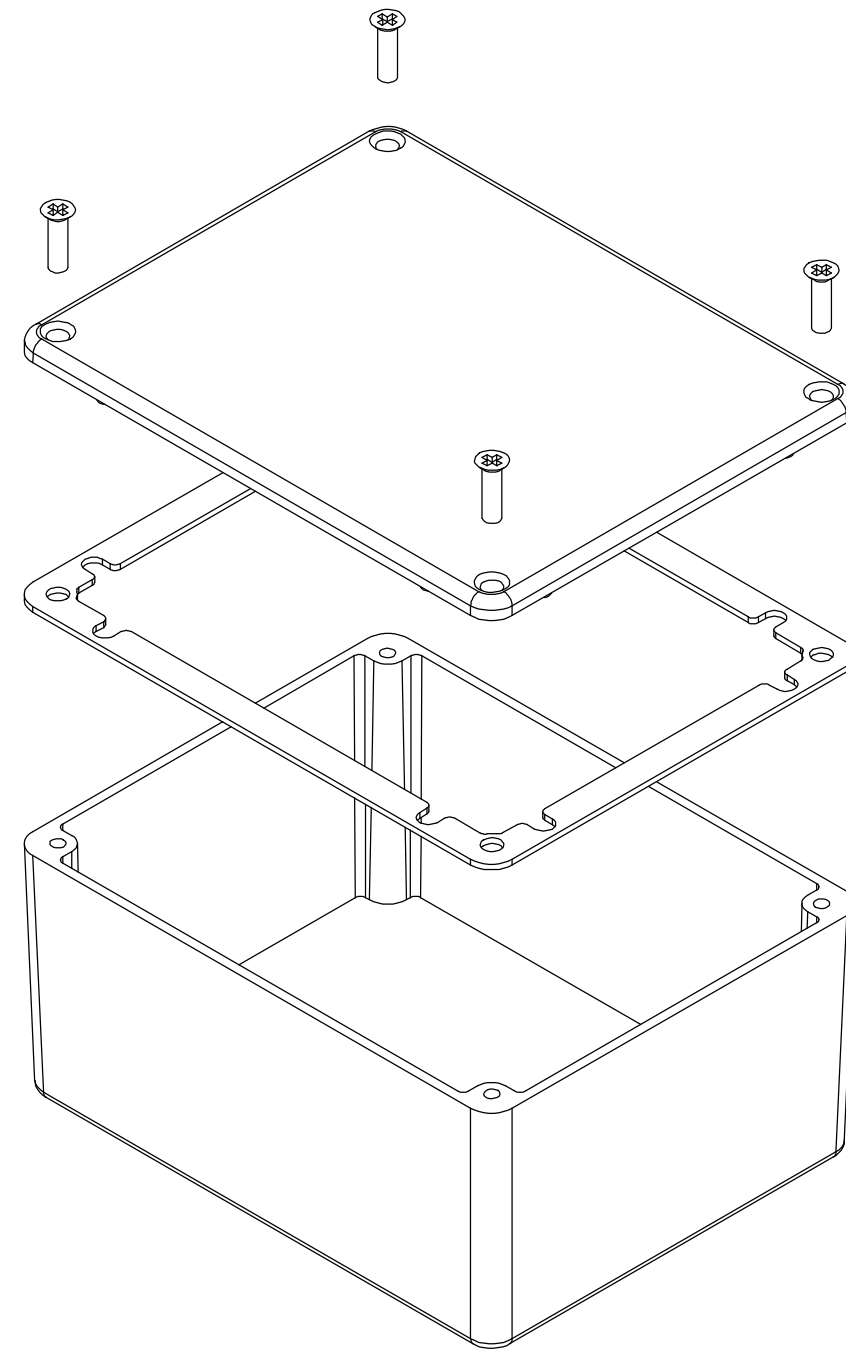


THE INFORMATION CONTAINED IN THIS DRAWING IS THE SOLE PROPERTY OF BUD INDUSTRIES INC. ANY REPRODUCTION IN PART OR WHOLE WITHOUT THE WRITTEN PERMISSION OF BUD INDUSTRIES INC. IS PROHIBITED.

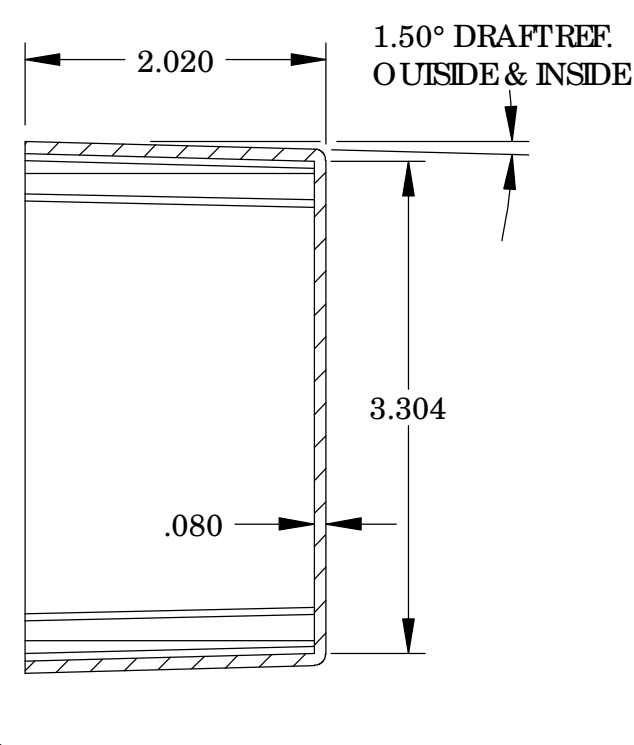
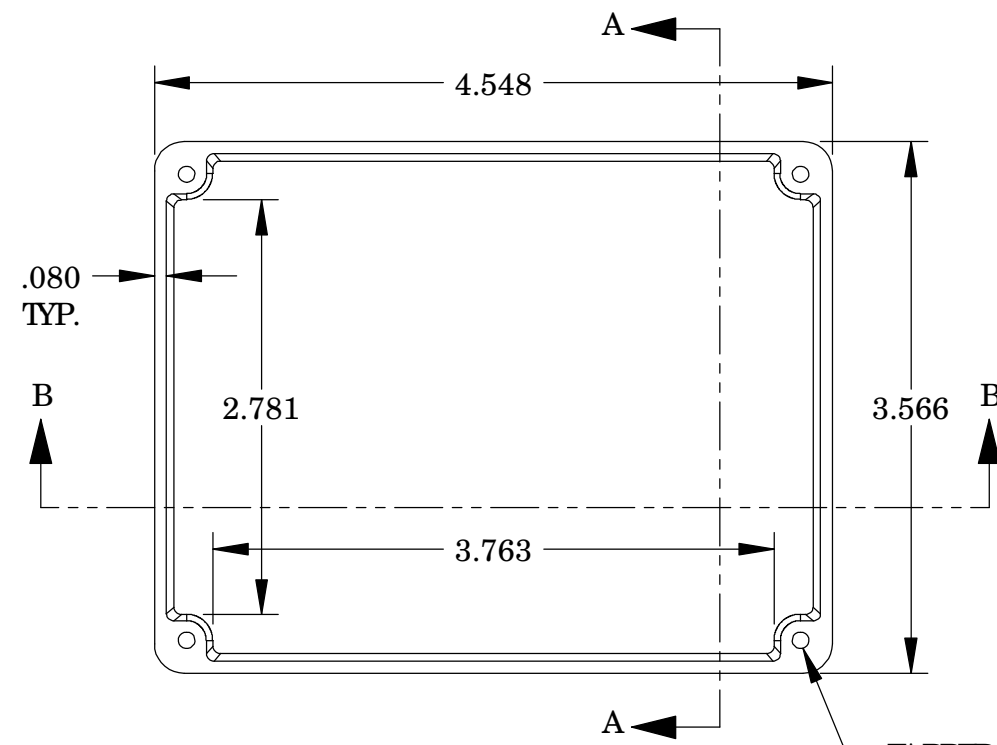
DWG. NO. CN-5705  
 ISSUE REVISIONS

MATERIAL- ALUMINUM ALLOY # ADC-12  
 FINISH - NATURAL (CONTACT BUD FACTORY FOR ALTERNATED FINISHES)  
 GASKET- RATED IP65 NEO PRENE, SELF-ADHESIVE, 3mm THICK, COLOR BLACK  
 SCREWS - STAINLESS STEEL, M3.5 x 12mm LG., CSK HEAD, SELF-THREADING

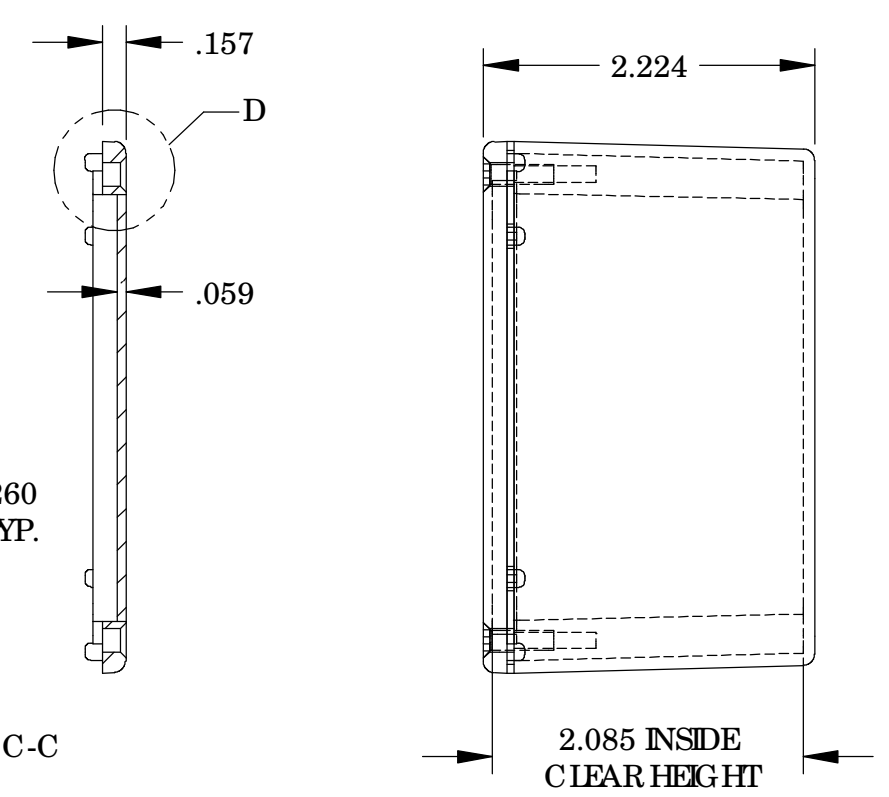
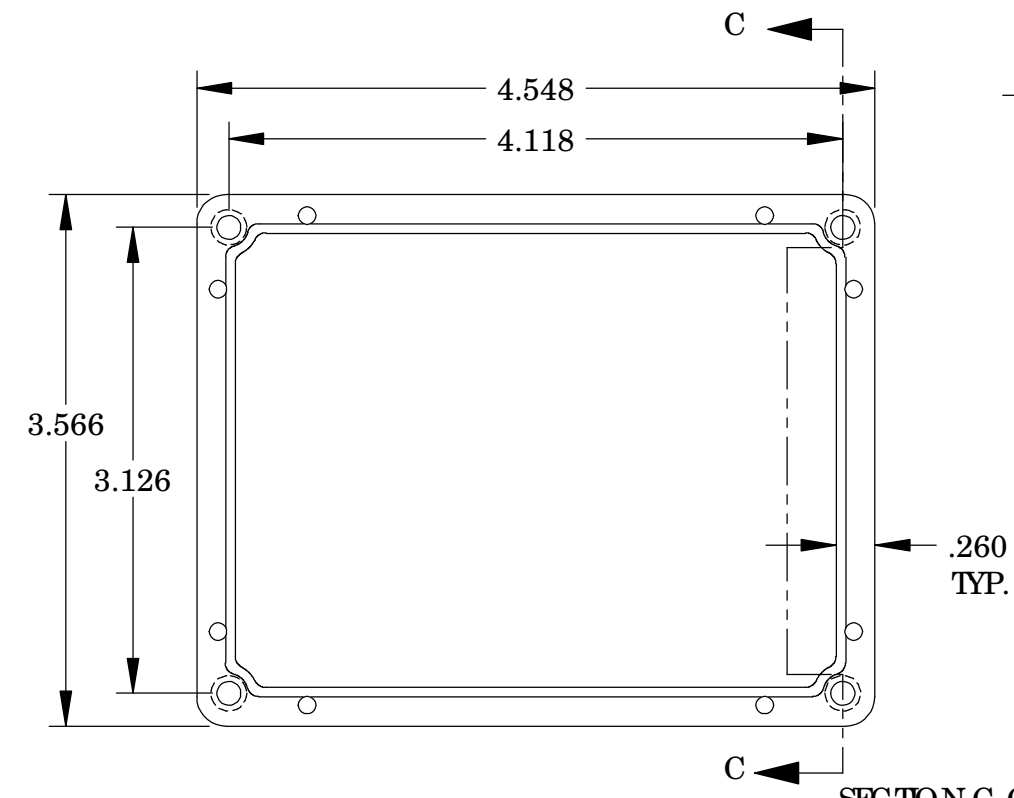
ALL HOLE DIAMETERS HAVE ±.005 TOLERANCE  
 ALL OTHER DIMENSIONS HAVE ±.015 TOLERANCE  
 ENCLOSURES ARE SHIPPED UNASSEMBLED WITH ALL ITEMS SHOWN.



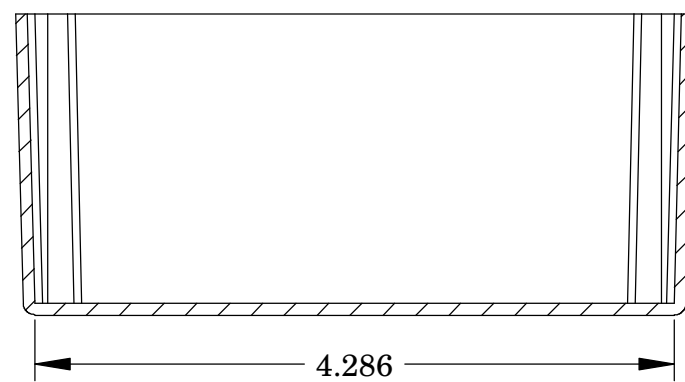
DETAIL D  
 SCALE 6:1



BODY



COVER



SECTION B-B

PARIS LIST		APPROVALS		DATE
±.005 BETWEEN HOLE CENTERS	CAD GENERATED DRAWING, DO NOT MANUALLY UPDATE	DRAWN	DAB	3-31-06
±.015 FROM SHEARED EDGE		CHECKED		
±.032 FROM A BENT SURFACE		APPROVED		
±.062 BETWEEN ASSEMBLED SURFACES				
UNLESS OTHERWISE SPECIFIED				
MATERIAL	AS NOTED			
FINISH	AS NOTED			
QTY.	USED ON	DO NOT SCALE DRAWING		

**BUD INDUSTRIES INC.**  
**DIE CAST ALUMINUM ENCLOSURE**

DWG. NO. CN-5705  
 SCALE CAD FILE SUBSET 1 OF 1