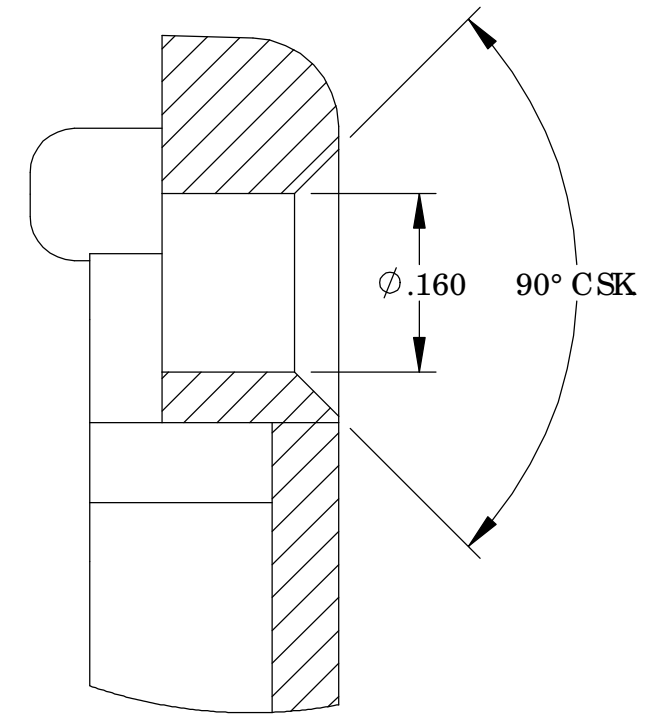
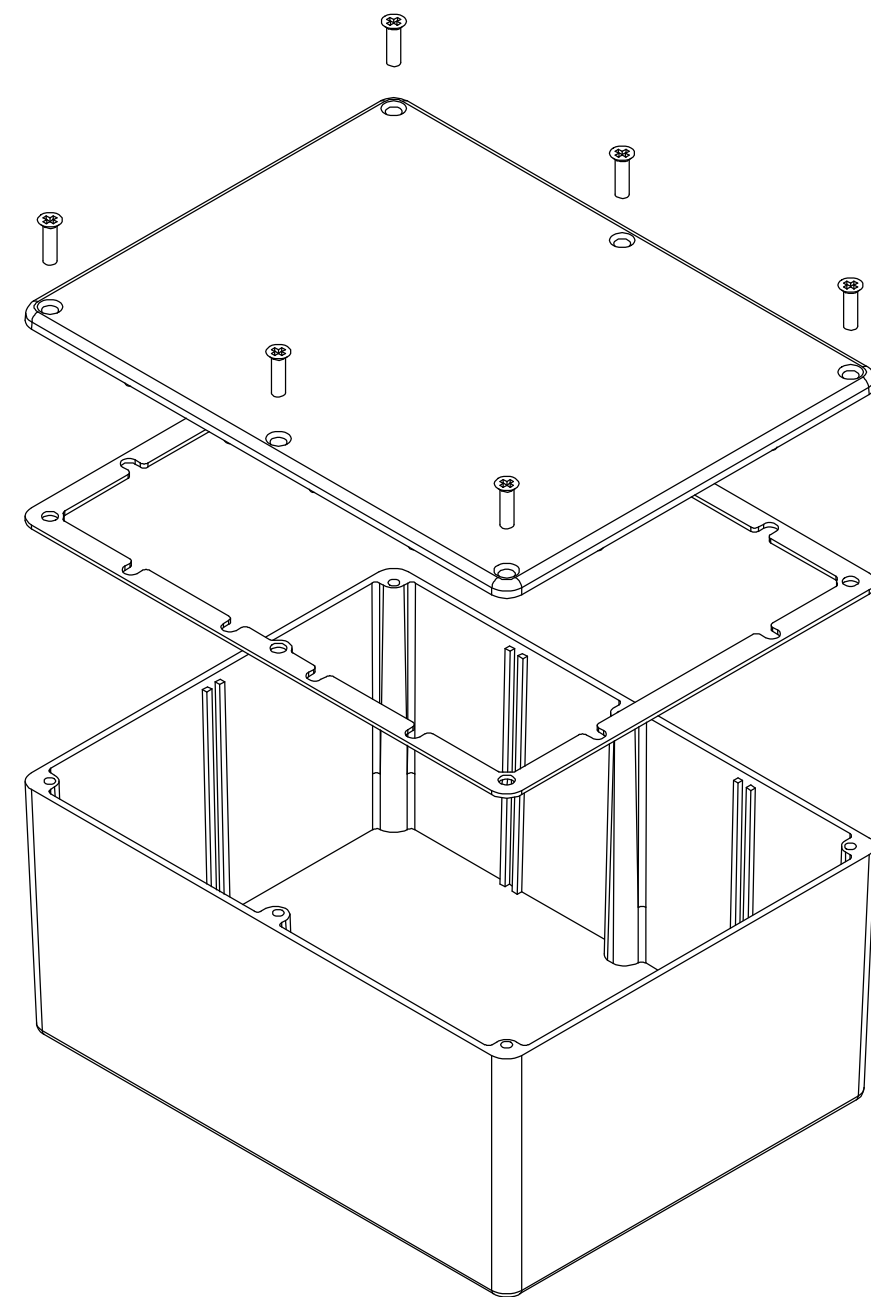


THE INFORMATION CONTAINED IN THIS DRAWING IS THE SOLE PROPERTY OF BUD INDUSTRIES INC. ANY REPRODUCTION IN PART OR WHOLE WITHOUT THE WRITTEN PERMISSION OF BUD INDUSTRIES INC. IS PROHIBITED.

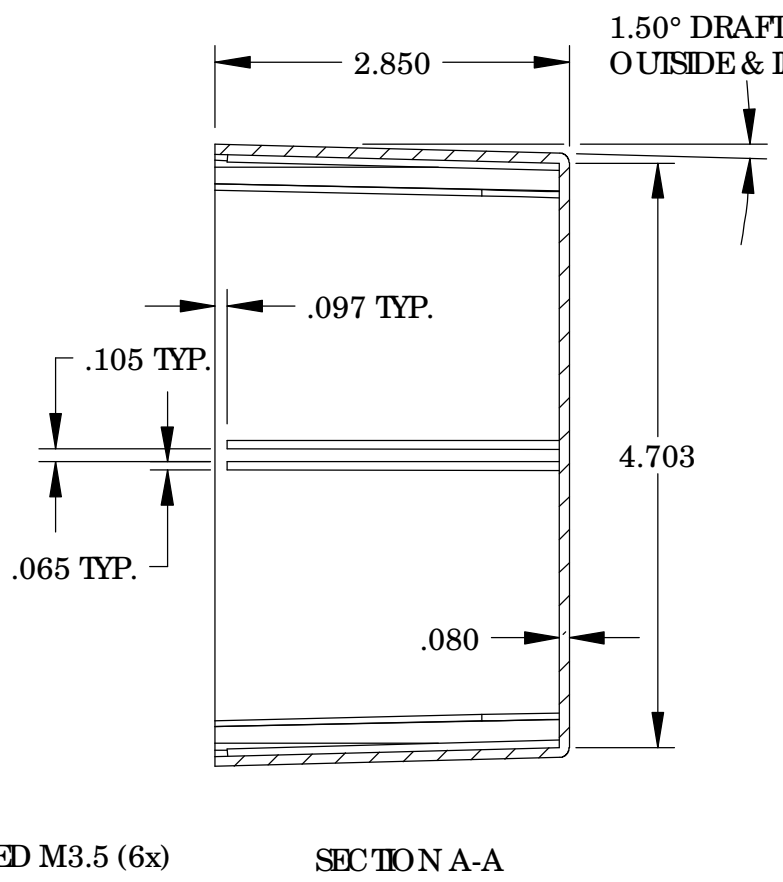
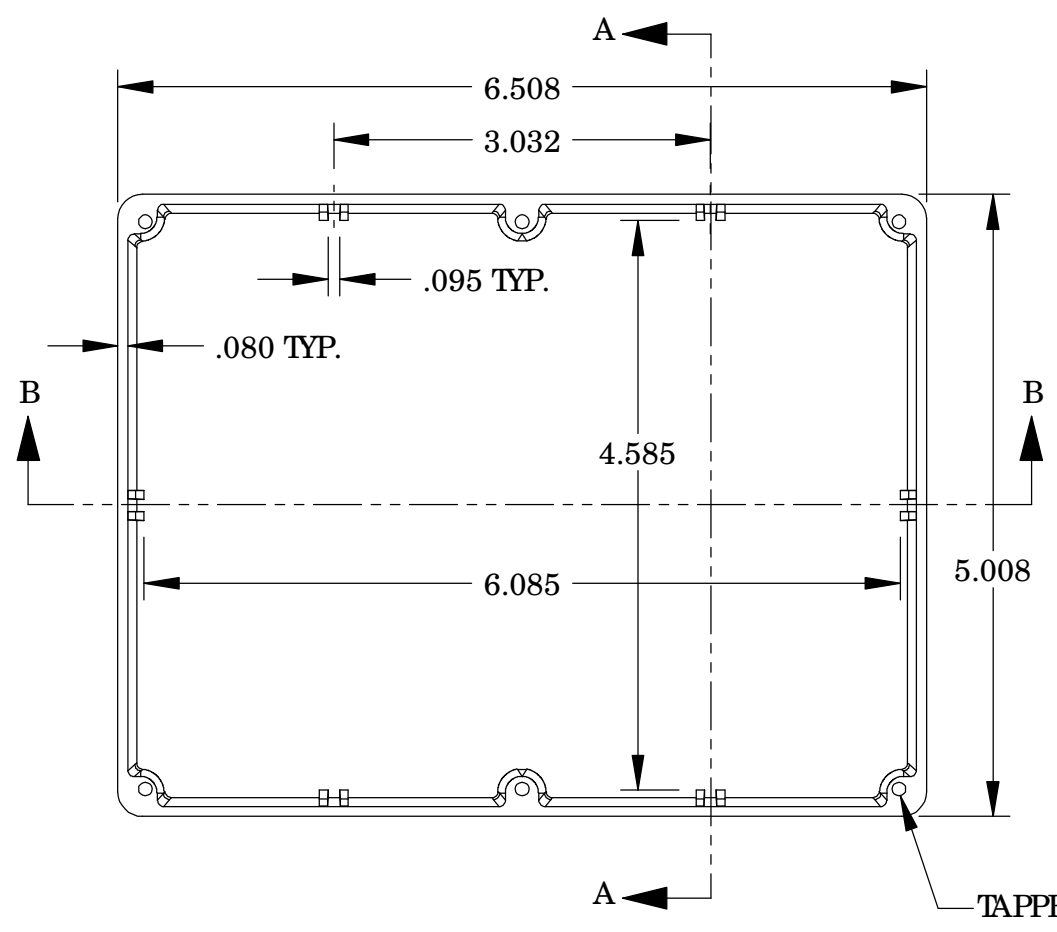
DWG. NO.	CN-5708
ISSUE	REVISIONS

MATERIAL- ALUMINUM ALLOY # ADC-12  
 FINISH- NATURAL (CONTACT BUD FACTORY FOR ALTERNATE FINISHES)  
 GASKET- RATED IP65 NEOPRENE, SELF-ADHESIVE, 3mm THICK, COLOR BLACK  
 SCREWS- STAINLESS STEEL, M3.5 x 12mm LG., CSK HEAD, SELF-THREADING

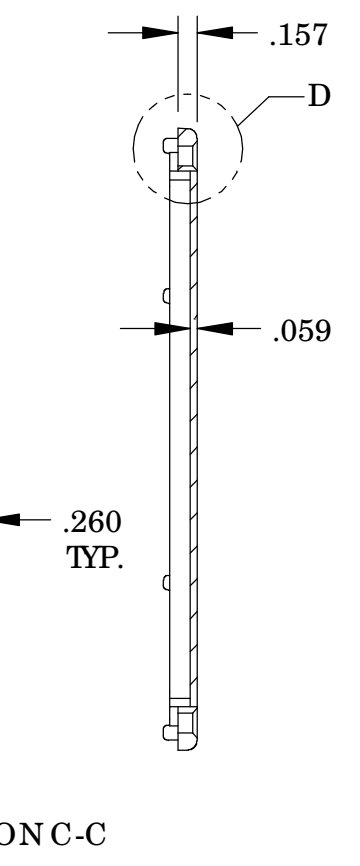
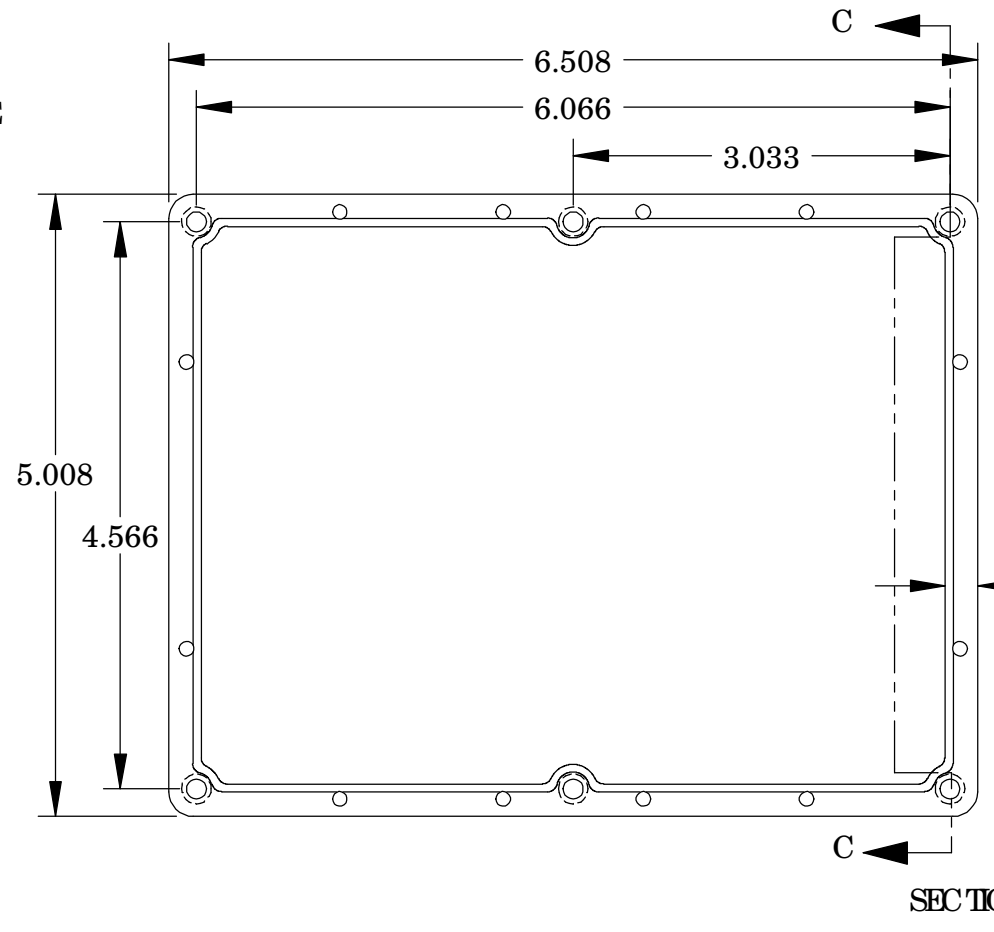
ALL HOLE DIAMETERS HAVE ±.005 TOLERANCE  
 ALL OTHER DIMENSIONS HAVE ±.015 TOLERANCE  
 ENCLOSURES ARE SHIPPED UNASSEMBLED WITH ALL ITEMS SHOWN.



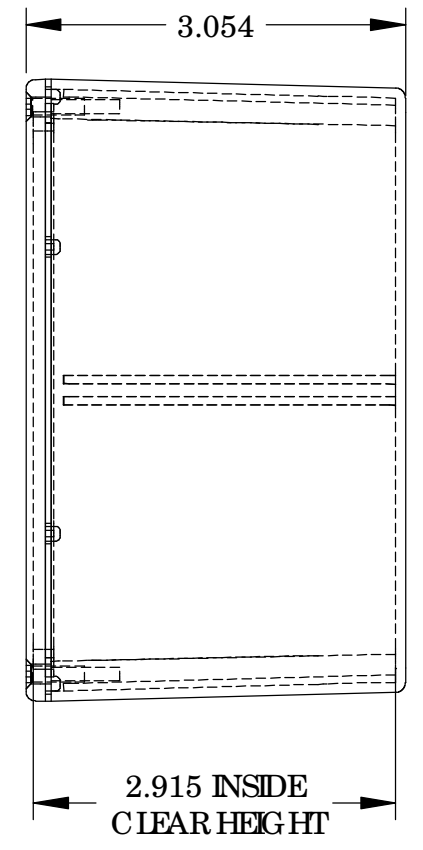
DETAIL D  
 SCALE 6:1



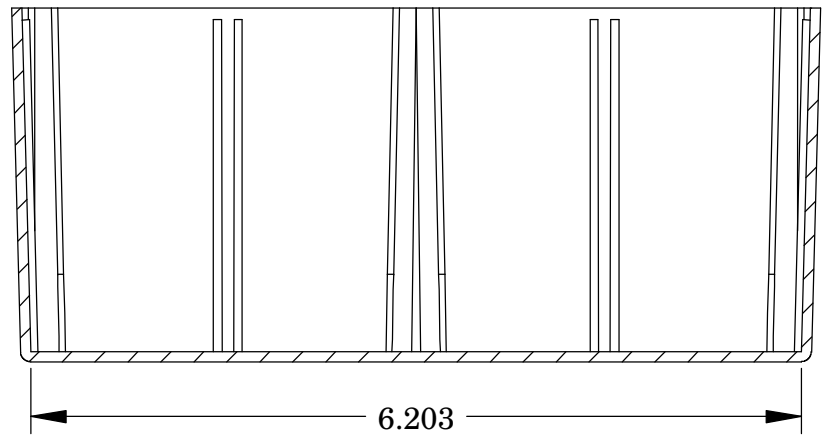
SECTION A-A



SECTION C-C



2.915 INSIDE CLEAR HEIGHT



SECTION B-B

BODY

COVER

TAPPED M3.5 (6x)

PARIS LIST		CAD GENERATED DRAWING, DO NOT MANUALLY UPDATE		BUD INDUSTRIES INC.	
APPROVALS	DATE	DRAWN		DIE CAST ALUMINUM ENCLOSURE	
DAB	3-31-06	CHECKED		DWG. NO. CN-5708	
AS NOTED		APPROVED		REV.	
AS NOTED		SCALE		SUBSET 1 OF 1	

QTY.	USED ON	DO NOT SCALE DRAWING
------	---------	----------------------