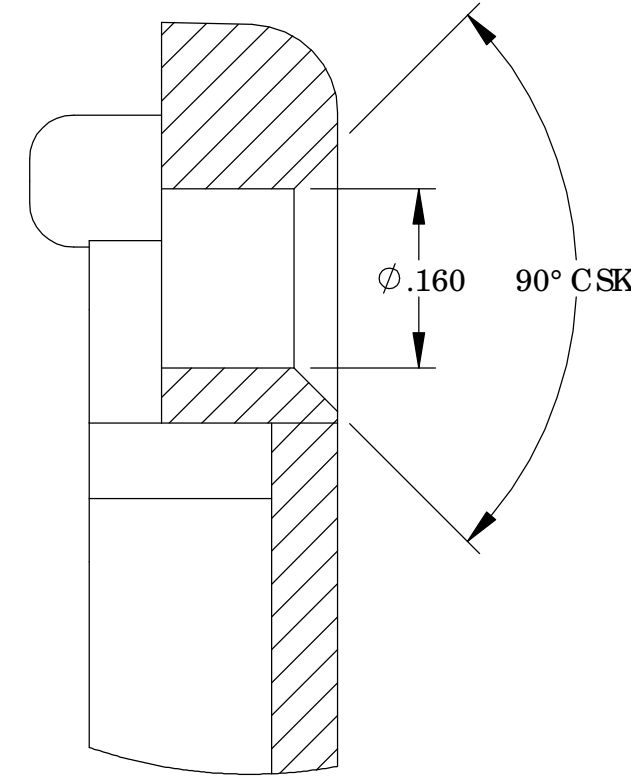
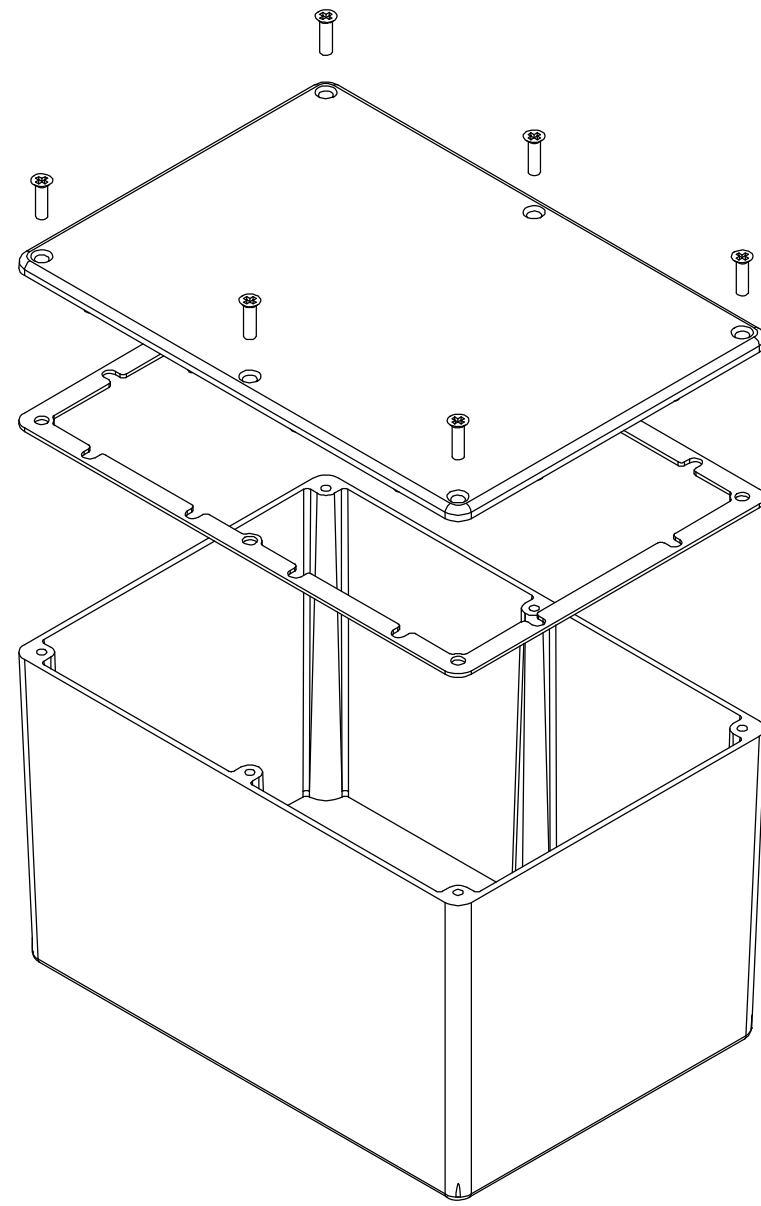


THE INFORMATION CONTAINED IN THIS DRAWING IS THE SOLE PROPERTY OF BUD INDUSTRIES INC. ANY REPRODUCTION IN PART OR WHOLE WITHOUT THE WRITTEN PERMISSION OF BUD INDUSTRIES INC. IS PROHIBITED.

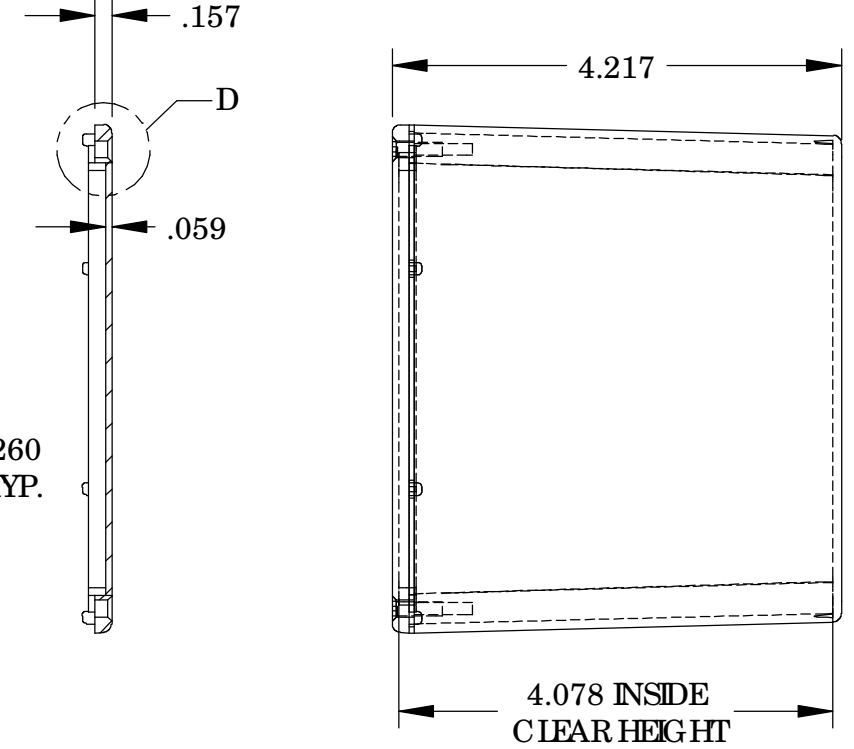
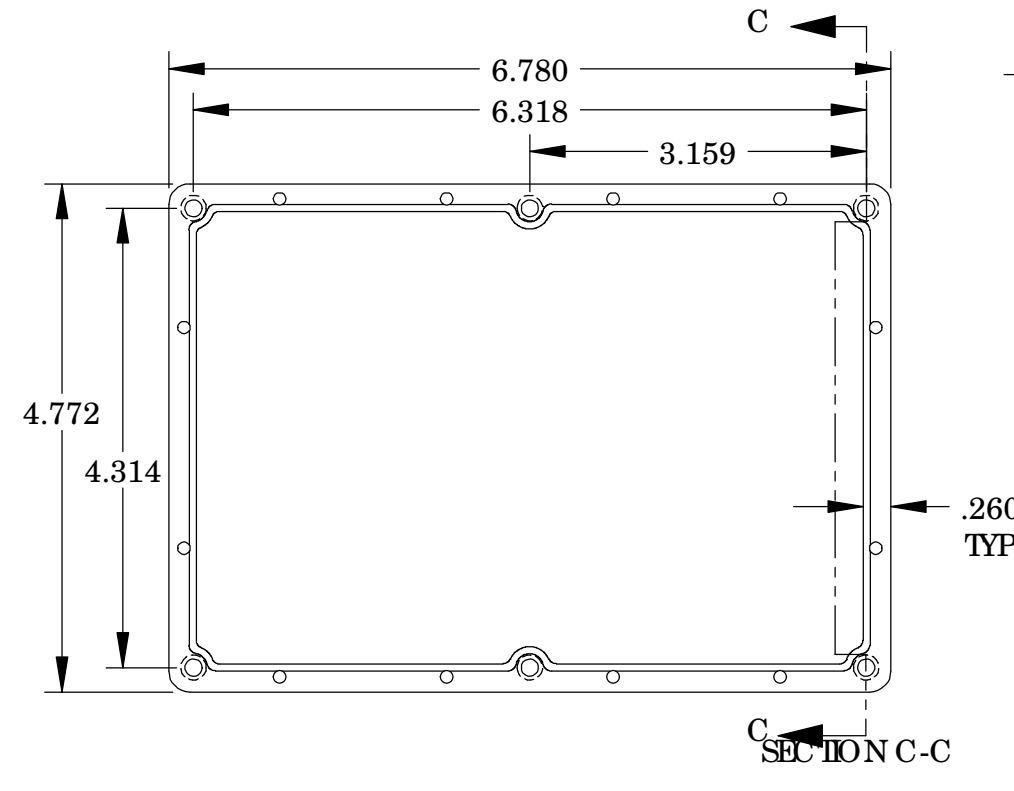
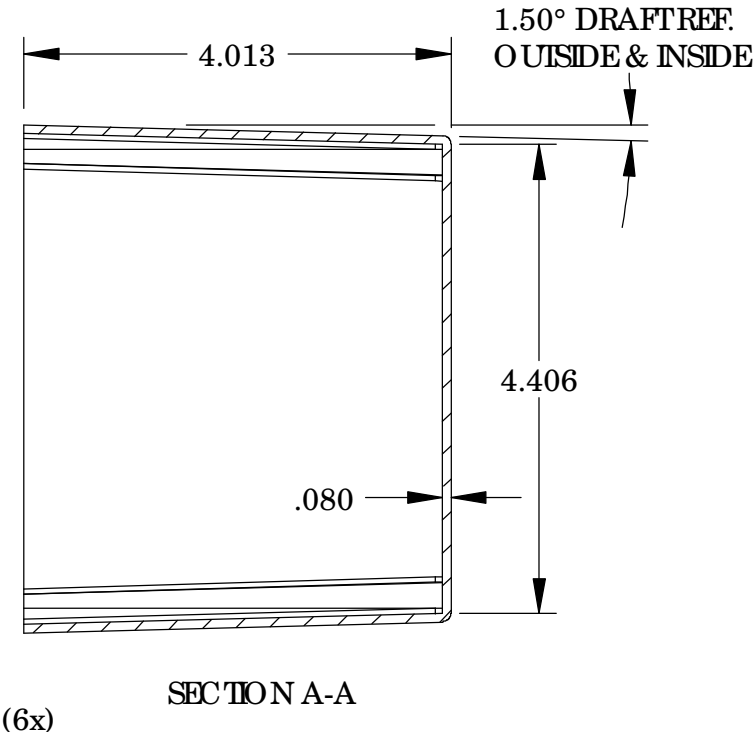
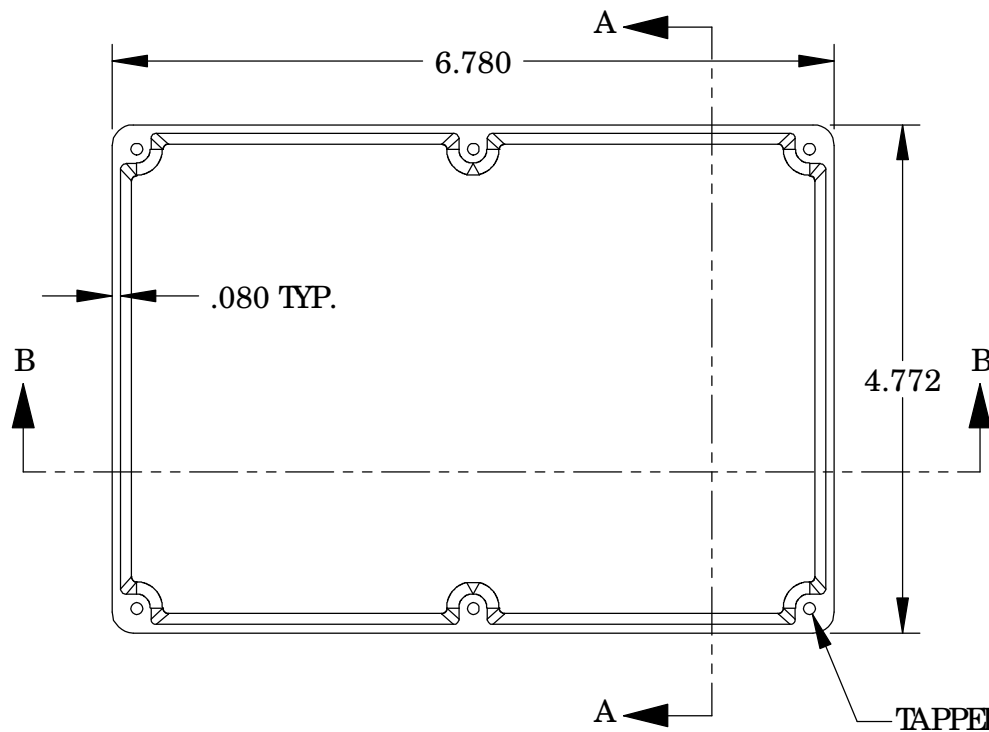
DWG. NO. CN-5710
 ISSUE REVISIONS

MATERIAL- ALUMINUM ALLOY # ADC-12
 FINISH- NATURAL (CONTACT BUD FACTORY FOR ALTERNATE FINISHES)
 GASKET- RATED IP65 NEO PRENE, SELF-ADHESIVE, 3mm THICK, COLOR BLACK
 SCREWS- STAINLESS STEEL, M3.5 x 12mm LG., CSK HEAD, SELF-THREADING

ALL HOLE DIAMETERS HAVE ±.005 TOLERANCE
 ALL OTHER DIMENSIONS HAVE ±.015 TOLERANCE
 ENCLOSURES ARE SHIPPED UNASSEMBLED WITH ALL ITEMS SHOWN.

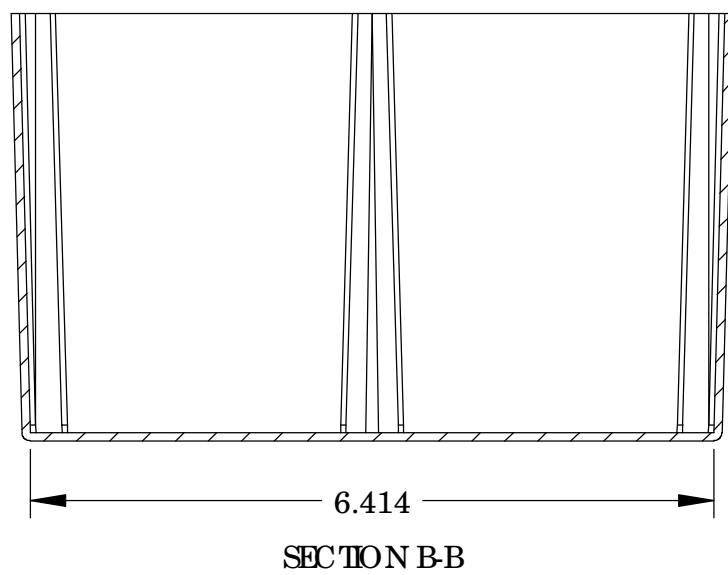


DETAIL D
 SCALE 6:1



BODY

COVER



SECTION B-B

PARIS LIST		BUD INDUSTRIES INC.	
±.005 BETWEEN HOLE CENTERS	CAD GENERATED DRAWING, DO NOT MANUALLY UPDATE	DIE CAST ALUMINUM ENCLOSURE DWG. NO. CN-5710 SUBSET 1 OF 1	
±.015 FROM SHEARED EDGE			
±.032 FROM A BENT SURFACE		APPROVALS	DATE
±.062 BETWEEN ASSEMBLED SURFACES		DRAWN: DAB	3-31-06
UNLESS OTHERWISE SPECIFIED		CHECKED:	
MATERIAL: AS NOTED		APPROVED:	
FINISH: AS NOTED			
QTY.	USED ON	DO NOT SCALE DRAWING	