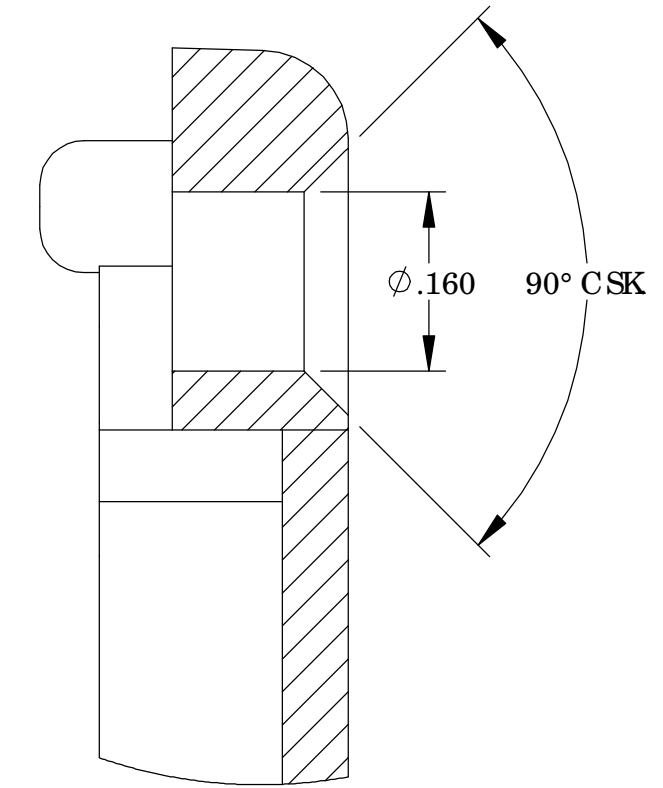
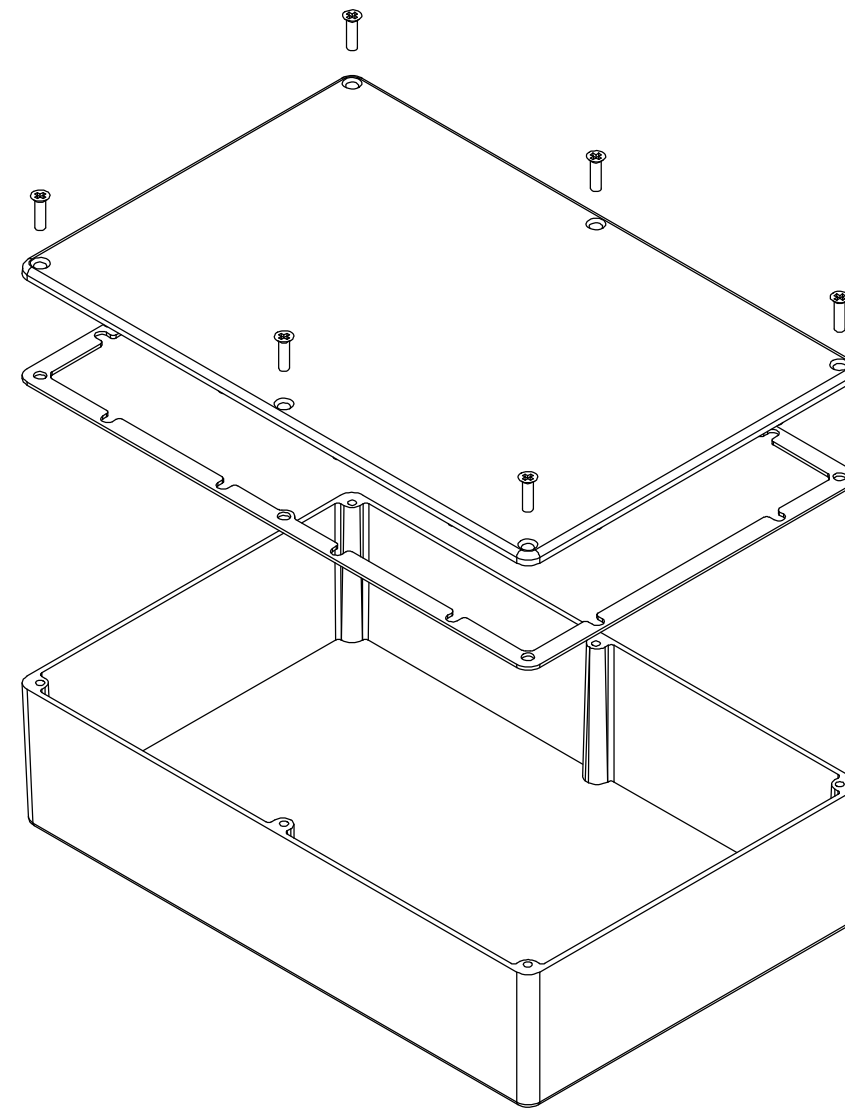


THE INFORMATION CONTAINED IN THIS DRAWING IS THE SOLE PROPERTY OF BUD INDUSTRIES INC. ANY REPRODUCTION IN PART OR WHOLE WITHOUT THE WRITTEN PERMISSION OF BUD INDUSTRIES INC. IS PROHIBITED.

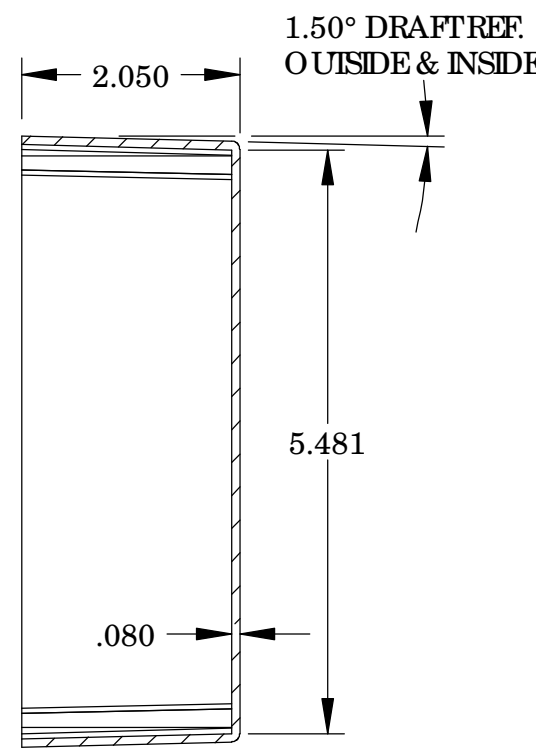
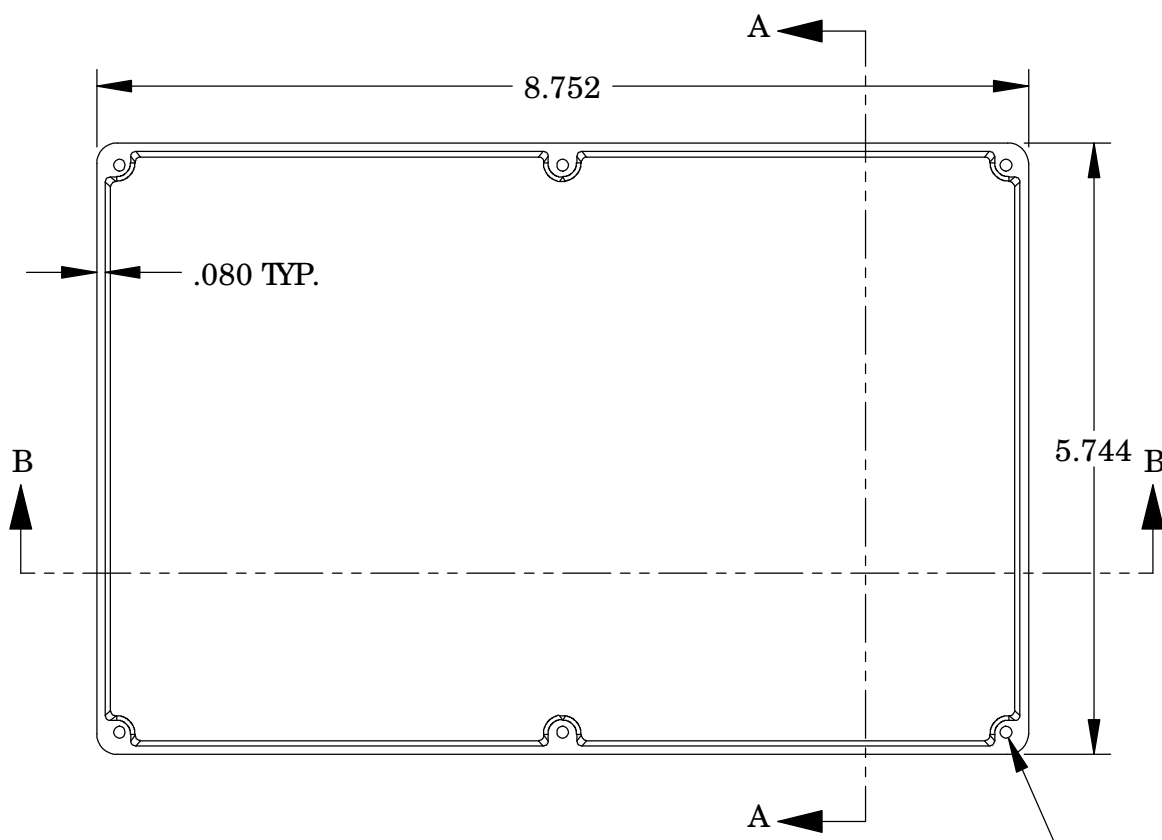
DWG. NO. CN-5711  
 ISSUE REVISIONS

MATERIAL- ALUMINUM ALLOY # ADC-12  
 FINISH - NATURAL (CONTACT BUD FACTORY FOR ALTERNATE FINISHES)  
 GASKET- RATED IP65 NEOPRENE, SELF-ADHESIVE, 3mm THICK, COLOR BLACK  
 SCREWS - STAINLESS STEEL, M3.5 x 12mm LG., C/SK HEAD, SELF-THREADING

ALL HOLE DIAMETERS HAVE ±.005 TOLERANCE  
 ALL OTHER DIMENSIONS HAVE ±.015 TOLERANCE  
 ENCLOSURES ARE SHIPPED UNASSEMBLED WITH ALL ITEMS SHOWN.



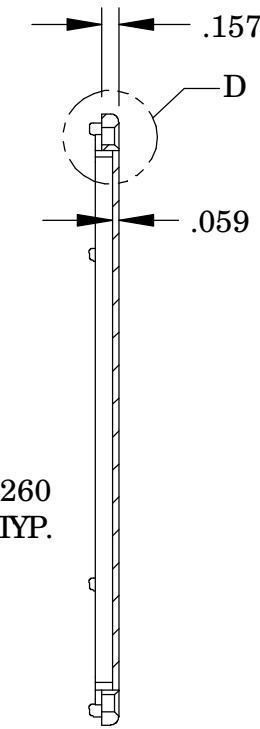
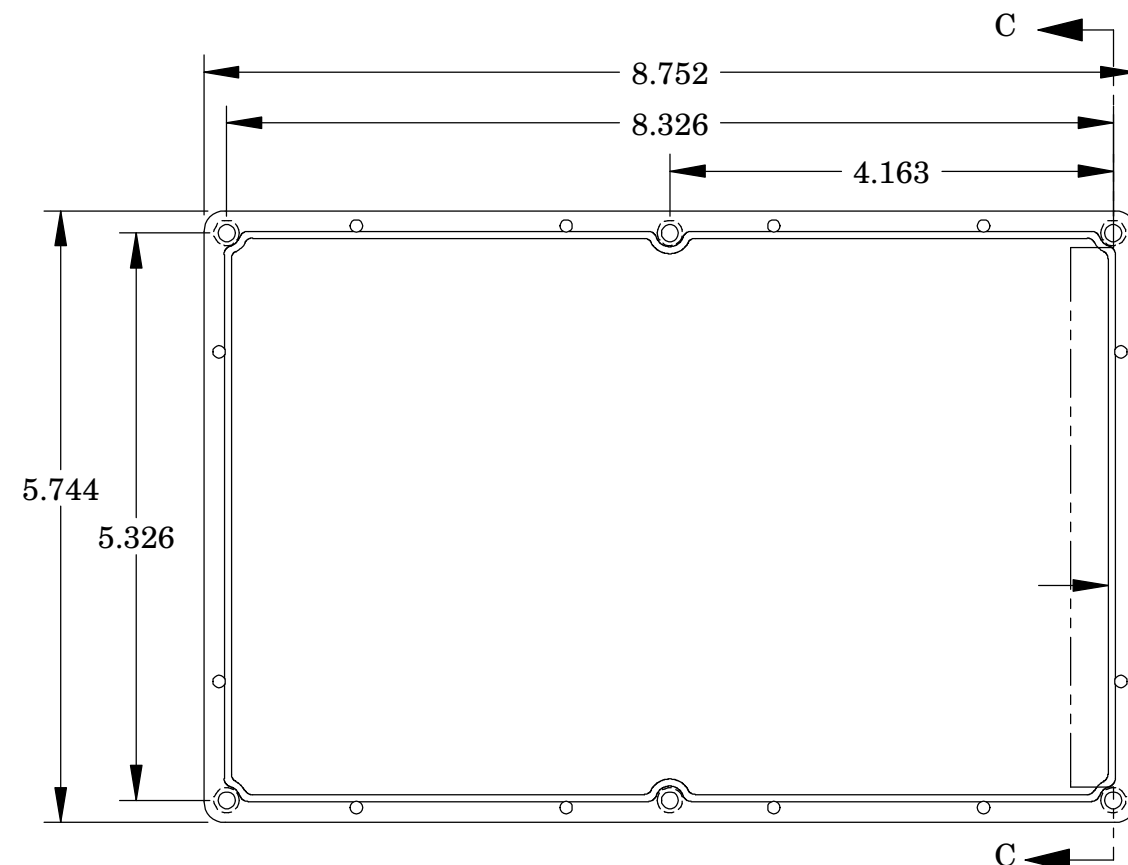
DETAIL D  
 SCALE 6:1



SECTION A-A

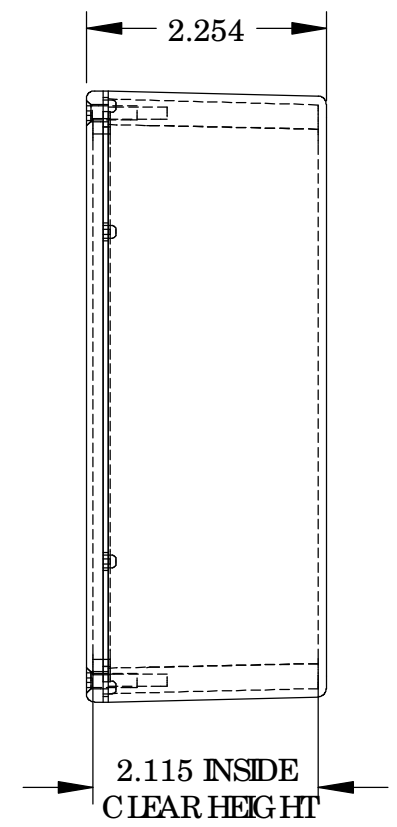
TAPPED M3.5 (6x)

BODY

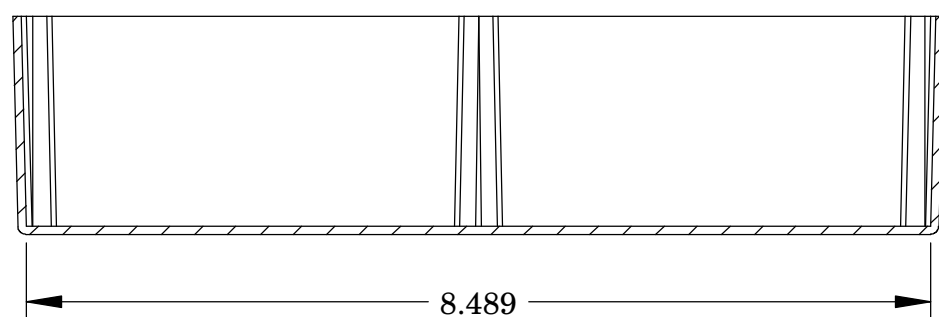


SECTION C-C

COVER



2.115 INSIDE CLEAR HEIGHT



SECTION B-B

PARIS LIST		BUD INDUSTRIES INC.	
±.005 BETWEEN HOLE CENTERS	CAD GENERATED DRAWING, DO NOT MANUALLY UPDATE	<b>DIE CAST ALUMINUM ENCLOSURE</b>	
±.015 FROM SHEARED EDGE			
±.032 FROM A BENT SURFACE	APPROVALS DATE	DWG. NO. CN-5711 SCALE CAD FILE SUBSET 1 OF 1	
±.062 BETWEEN ASSEMBLED SURFACES	DRAWN DAB 3-31-06		
UNLESS OTHERWISE SPECIFIED	CHECKED		
MATERIAL	AS NOTED		
FINISH	AS NOTED		

QTY.	USED ON	DO NOT SCALE DRAWING