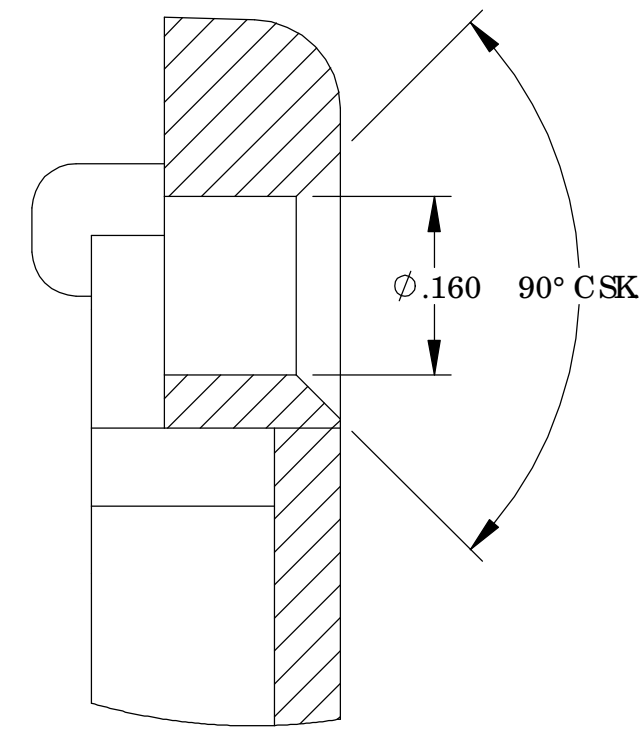
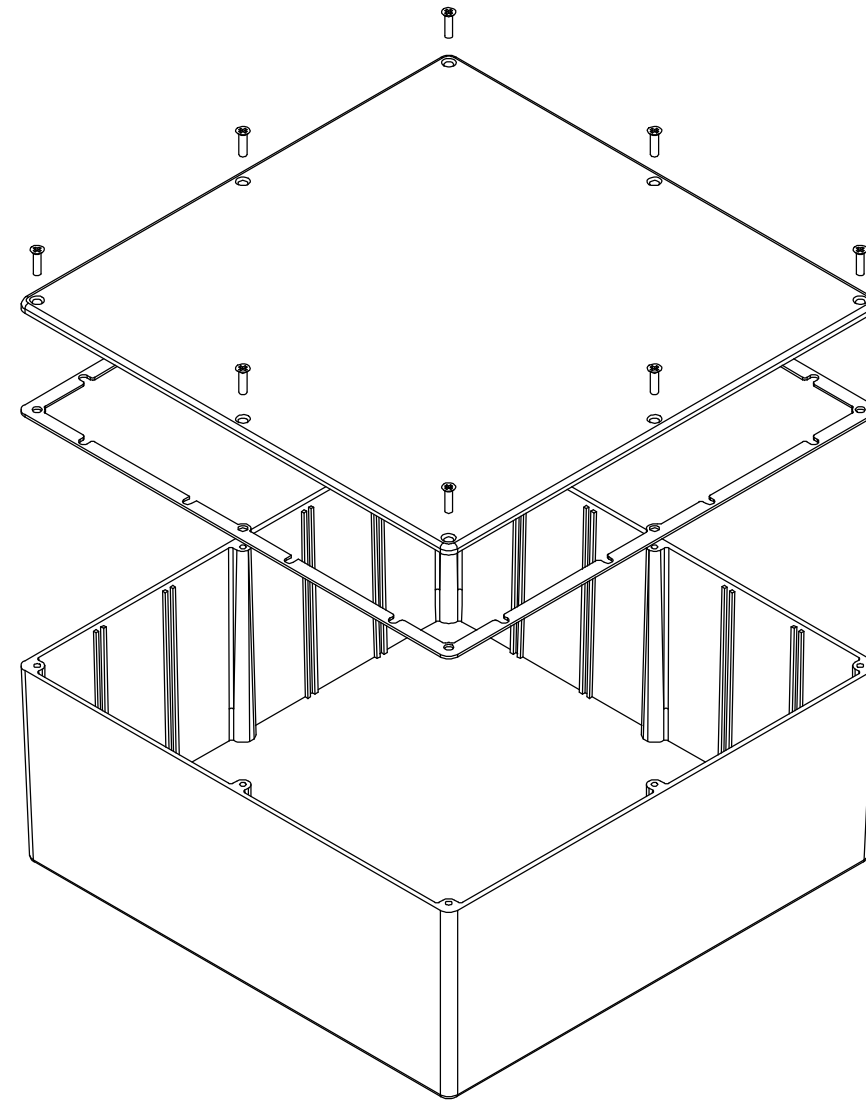


THE INFORMATION CONTAINED IN THIS DRAWING IS THE SOLE PROPERTY OF BUD INDUSTRIES INC. ANY REPRODUCTION IN PART OR WHOLE WITHOUT THE WRITTEN PERMISSION OF BUD INDUSTRIES INC. IS PROHIBITED.

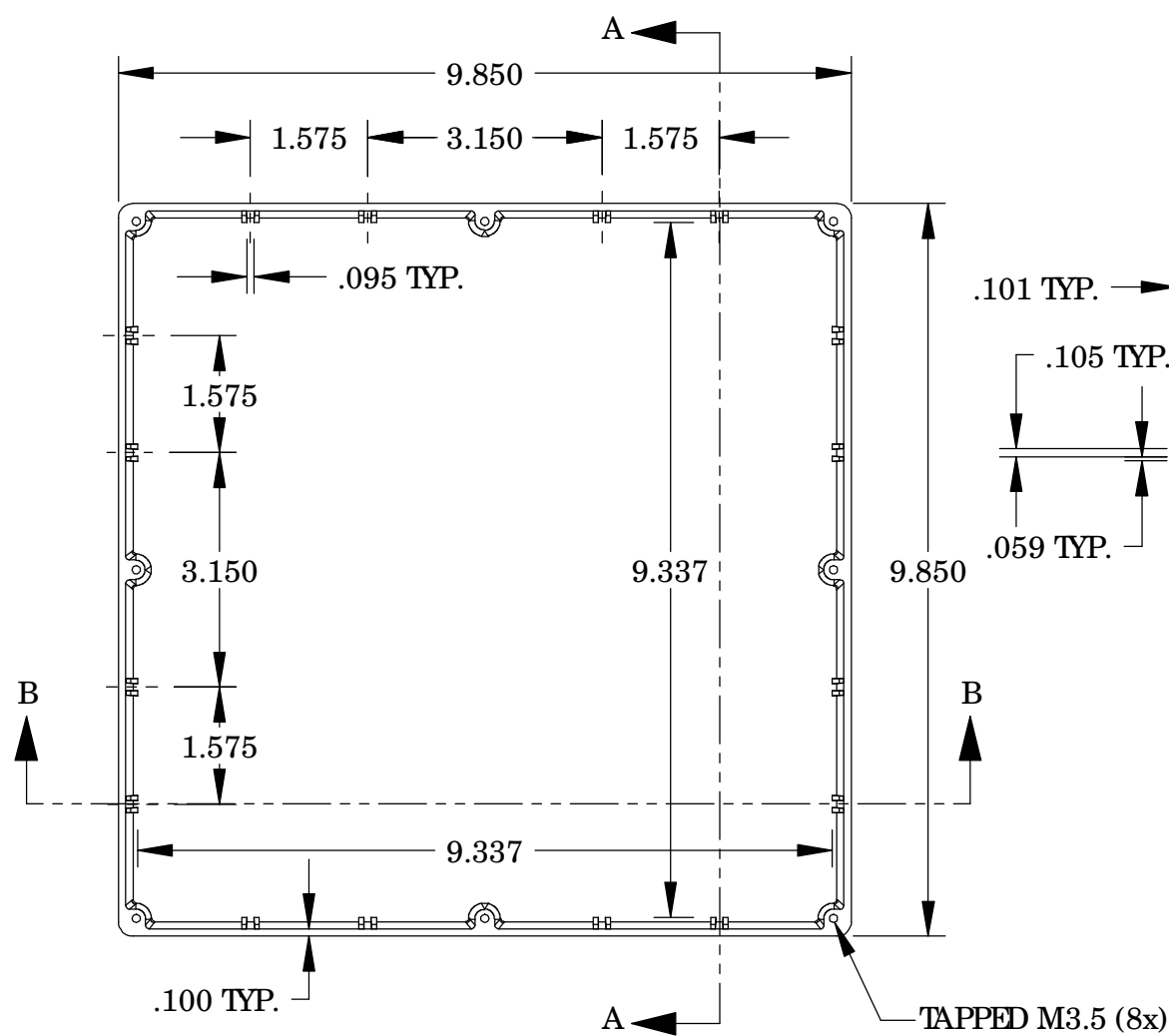
DWG. NO.	CN-5713
ISSUE	REVISIONS

MATERIAL- ALUMINUM ALLOY # ADC-12
 FINISH - NATURAL (CONTACT BUD FACTORY FOR ALTERNATE FINISHES)
 GASKET- RATED IP65 NEO PRENE, SELF-ADHESIVE, 3mm THICK, COLOR BLACK
 SCREWS - STAINLESS STEEL, M3.5 x 12mm LG., C SK HEAD, SELF-THREADING

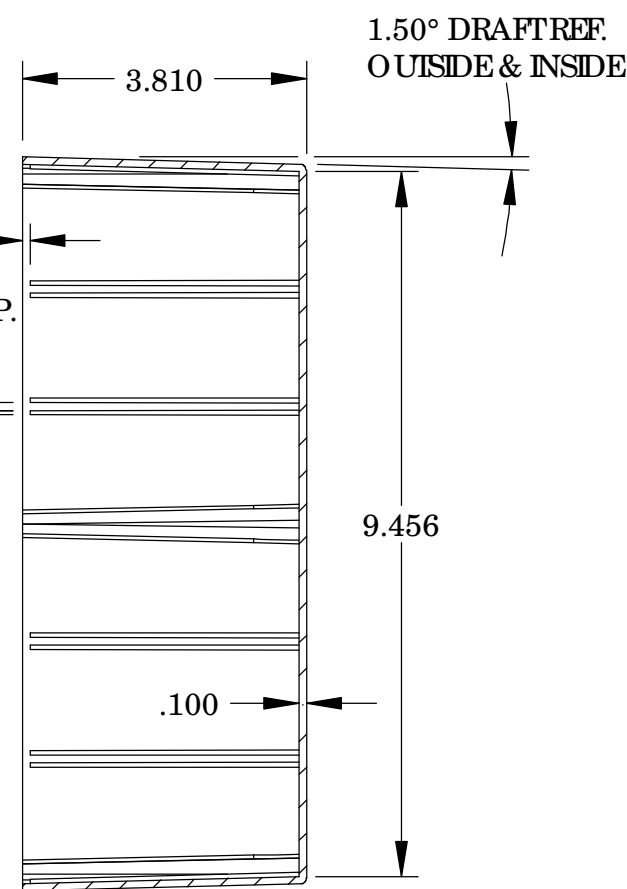
ALL HOLE DIAMETERS HAVE ±.005 TOLERANCE
 ALL OTHER DIMENSIONS HAVE ±.015 TOLERANCE
 ENCLOSURES ARE SHIPPED UNASSEMBLED WITH ALL ITEMS SHOWN.



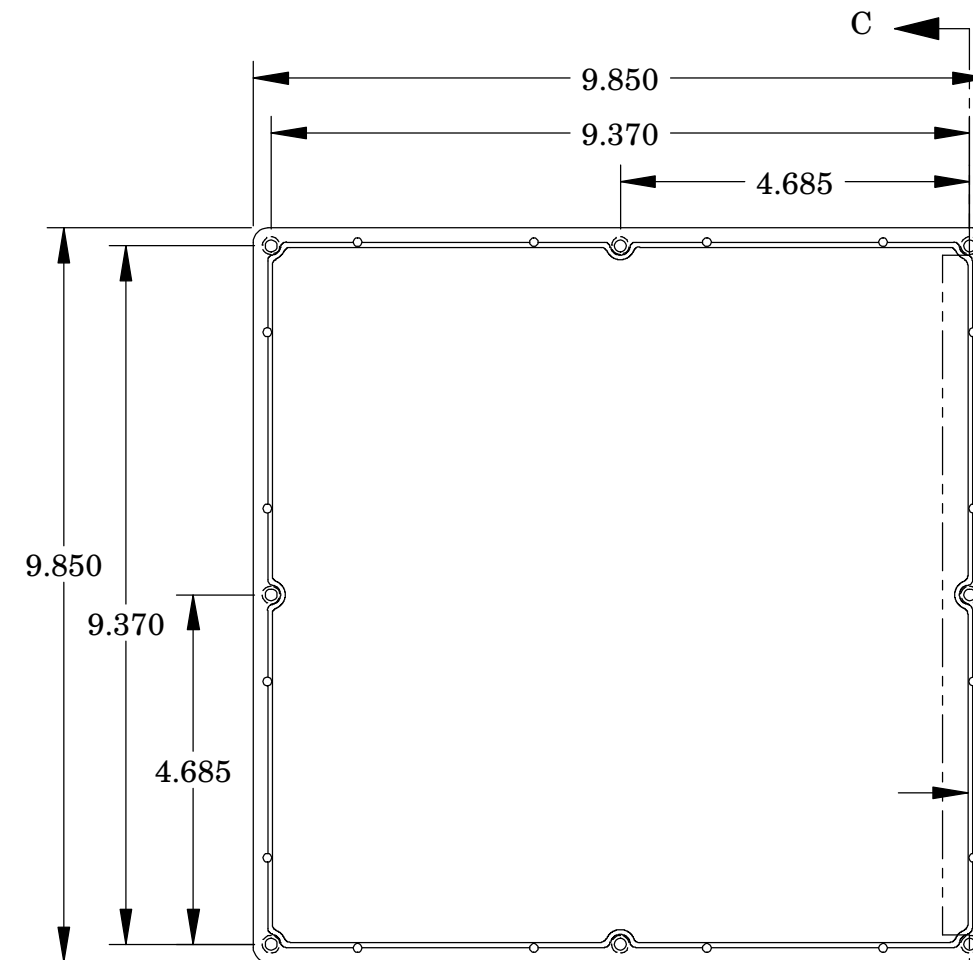
DETAIL D
 SCALE 6:1



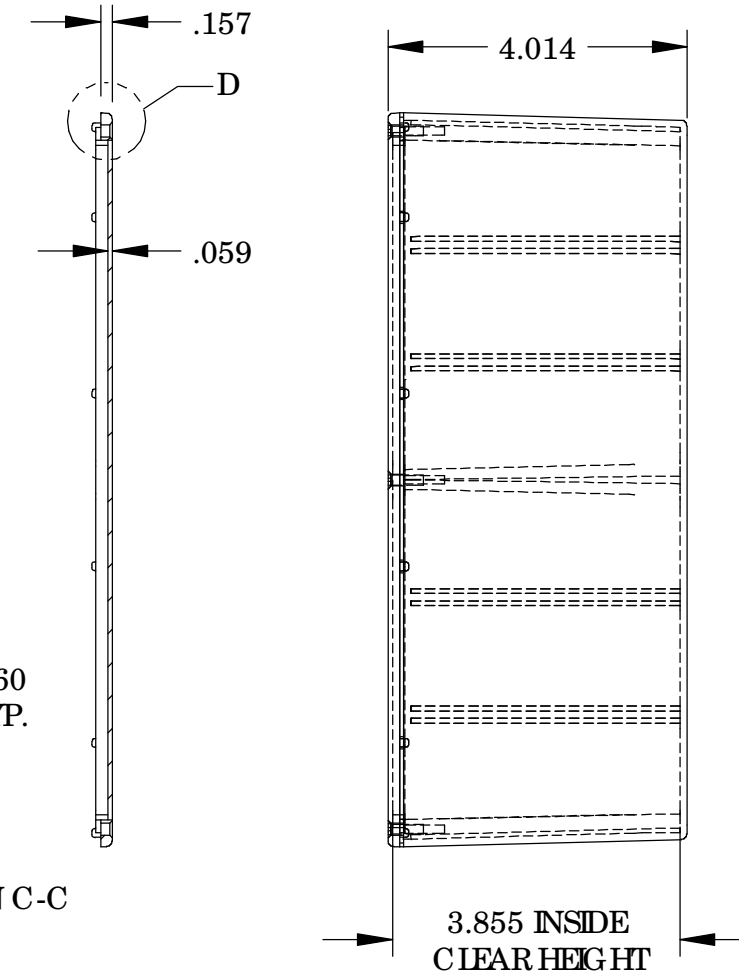
BODY



SECTION A-A

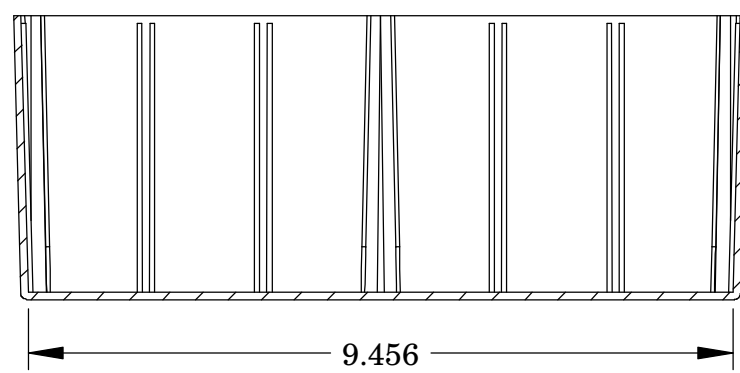


COVER



SECTION C-C

3.855 INSIDE CLEAR HEIGHT



SECTION B-B

PARIS LIST		CAD GENERATED DRAWING, DO NOT MANUALLY UPDATE		BUD INDUSTRIES INC.	
±.005 BETWEEN HOLE CENTERS	±.015 FROM SHEARED EDGE	±.032 FROM A BENT SURFACE	±.062 BETWEEN ASSEMBLED SURFACES	UNLESS OTHERWISE SPECIFIED	MATERIAL
AS NOTED	AS NOTED	AS NOTED	AS NOTED	AS NOTED	AS NOTED
QTY.	USED ON	DO NOT SCALE DRAWING	APPROVED	APPROVED	APPROVED
DWG. NO. CN-5713			REV.		
SCALE			SUBSET 1 OF 1		