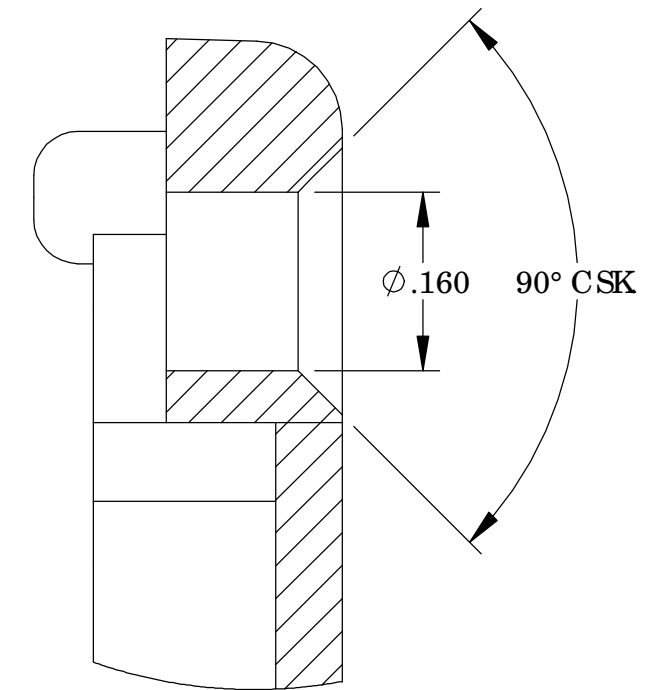
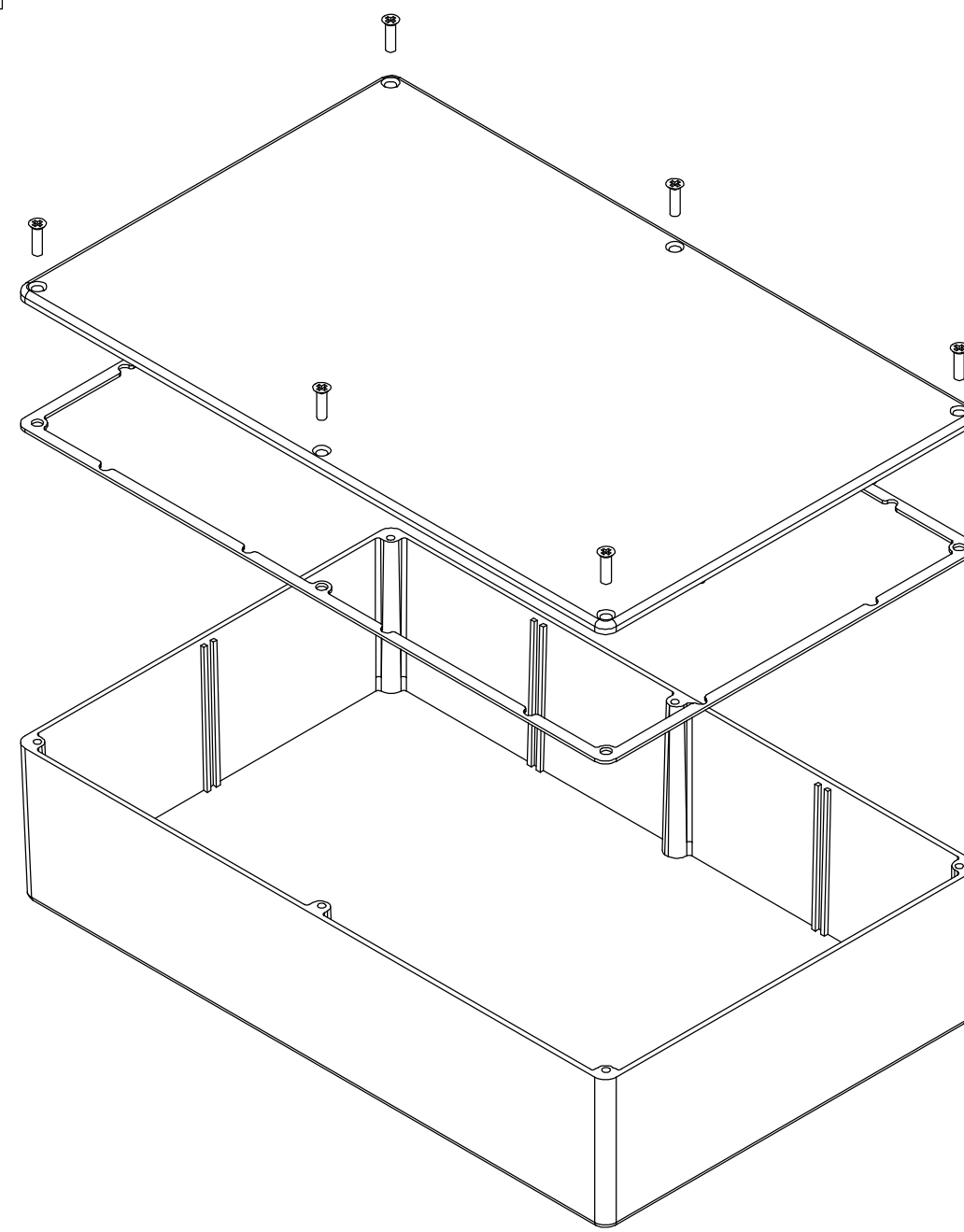


THE INFORMATION CONTAINED IN THIS DRAWING IS THE SOLE PROPERTY OF BUD INDUSTRIES INC. ANY REPRODUCTION IN PART OR WHOLE WITHOUT THE WRITTEN PERMISSION OF BUD INDUSTRIES INC. IS PROHIBITED.

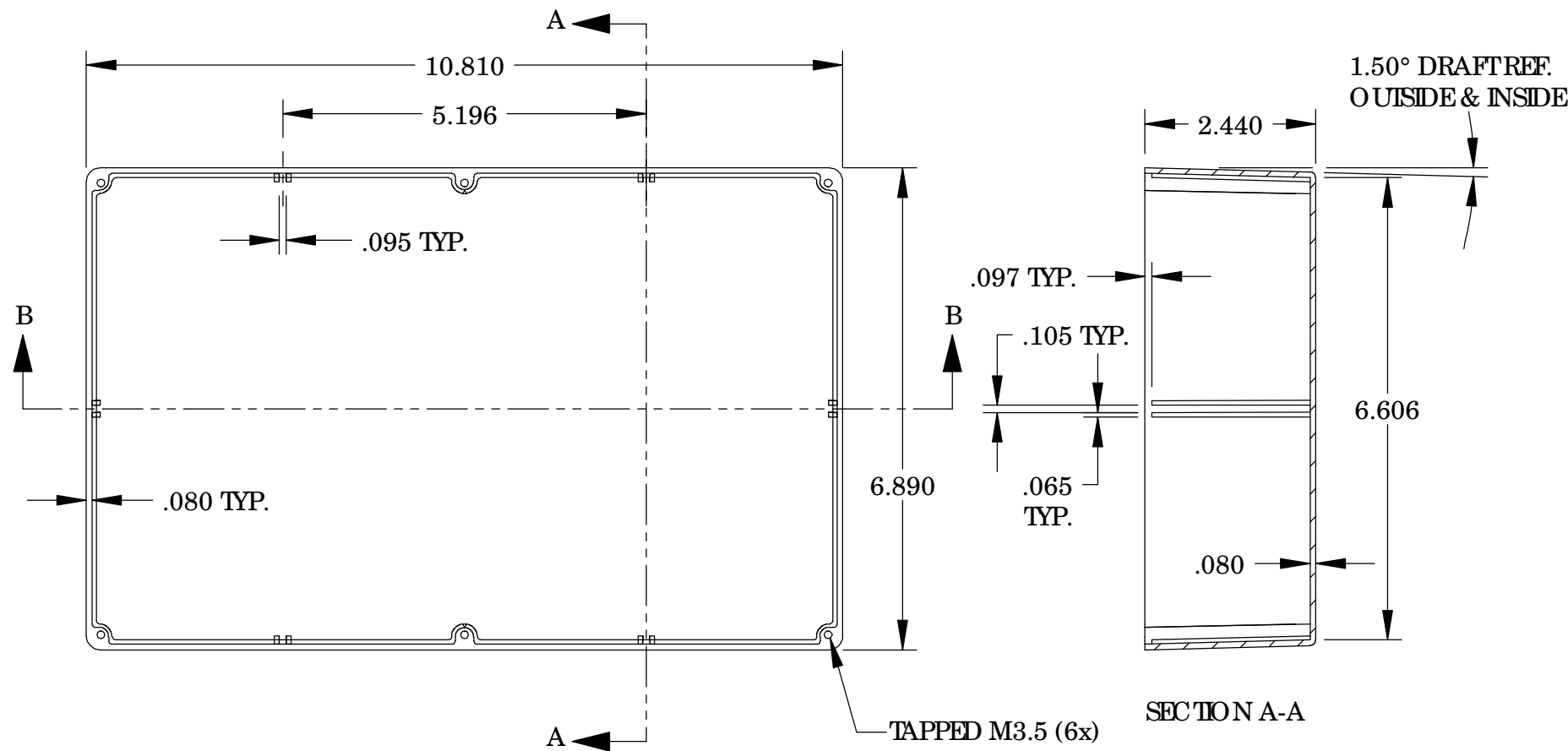
DWG. NO.	CN-5714
ISSUE	REVISIONS

MATERIAL- ALUMINUM ALLOY # ADC-12
 FINISH- NATURAL (CONTACT BUD FACTORY FOR ALTERNATE FINISHES)
 GASKET- RATED IP65 NEO PRENE, SELF-ADHESIVE, 3mm THICK, COLOR BLACK
 SCREWS- STAINLESS STEEL, M3.5 x 12mm LG., CSK HEAD, SELF-THREADING

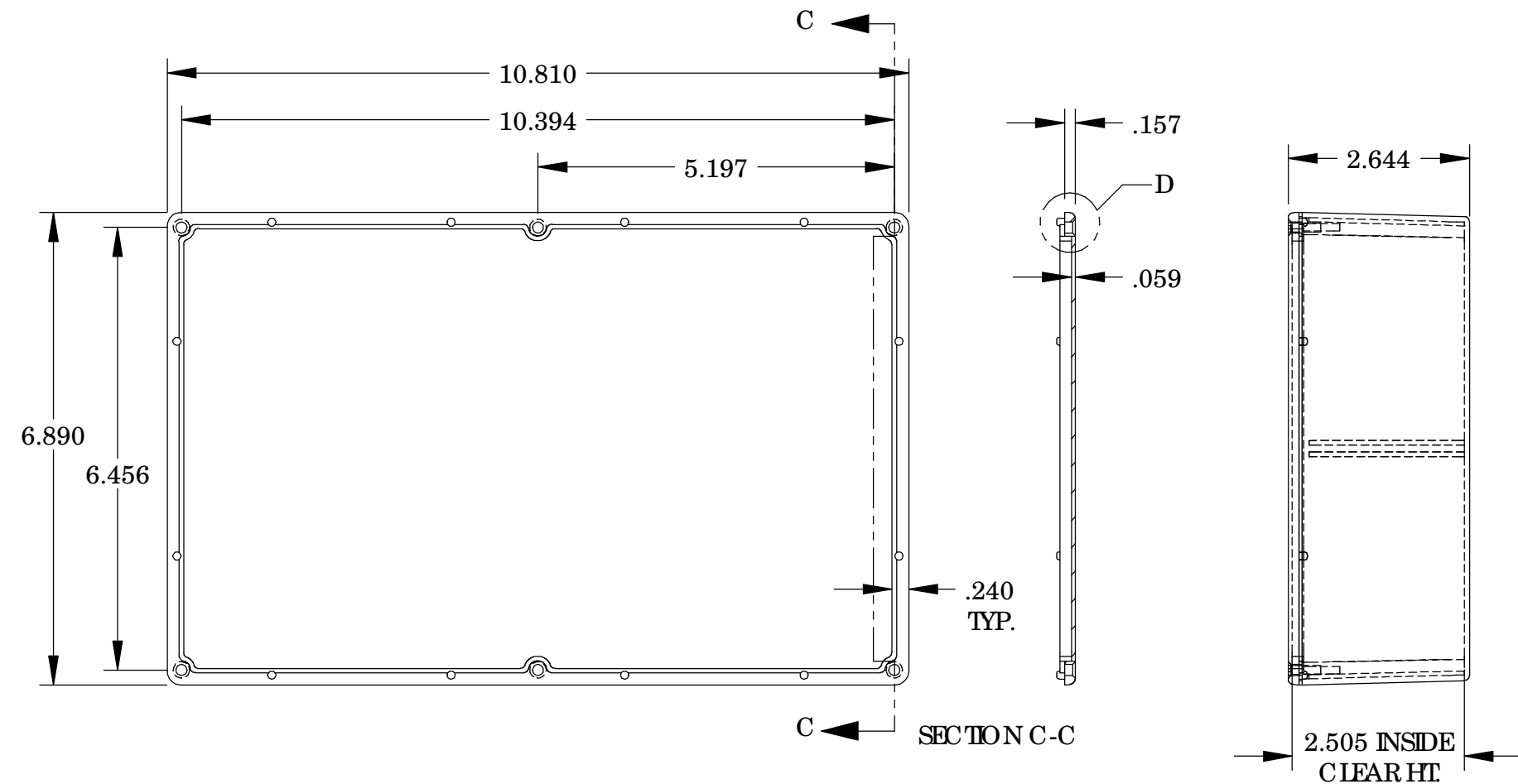
ALL HOLE DIAMETERS HAVE ±.005 TOLERANCE
 ALL OTHER DIMENSIONS HAVE ±.015 TOLERANCE
 ENCLOSURES ARE SHIPPED UNASSEMBLED WITH ALL ITEMS SHOWN.



DETAIL D
 SCALE 6:1



BODY



COVER

+/- .005 BETWEEN HOLE CENTERS +/- .015 FROM SHEARED EDGE +/- .032 FROM A BENT SURFACE +/- .062 BETWEEN ASSEMBLED SURFACES UNLESS OTHERWISE SPECIFIED MATERIAL: AS NOTED FINISH: AS NOTED		CAD GENERATED DRAWING, DO NOT MANUALLY UPDATE APPROVALS: DRAWN: DAB, CHECKED: [blank], APPROVED: [blank] DATE: 3-31-06		PARTS LIST BUD INDUSTRIES INC. DIE CAST ALUMINUM ENCLOSURE	
QTY.	USED ON	DO NOT SCALE DRAWING	SCALE: C	DWG. NO.: CN-5714	REV.:
					SHEET 1 OF 1