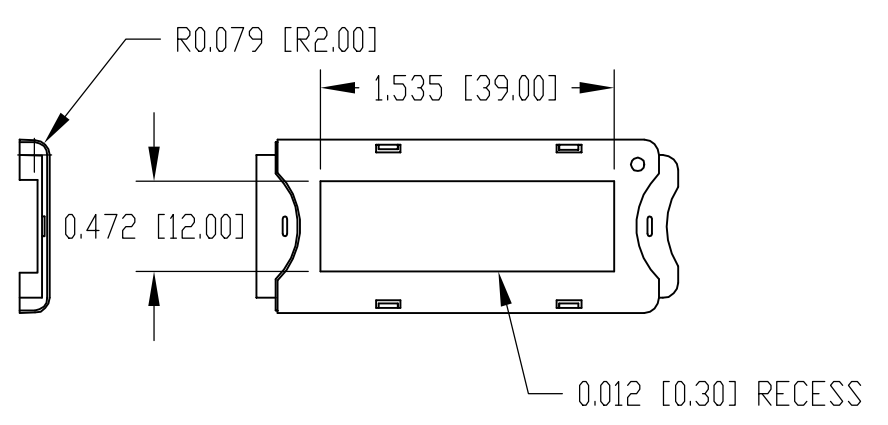
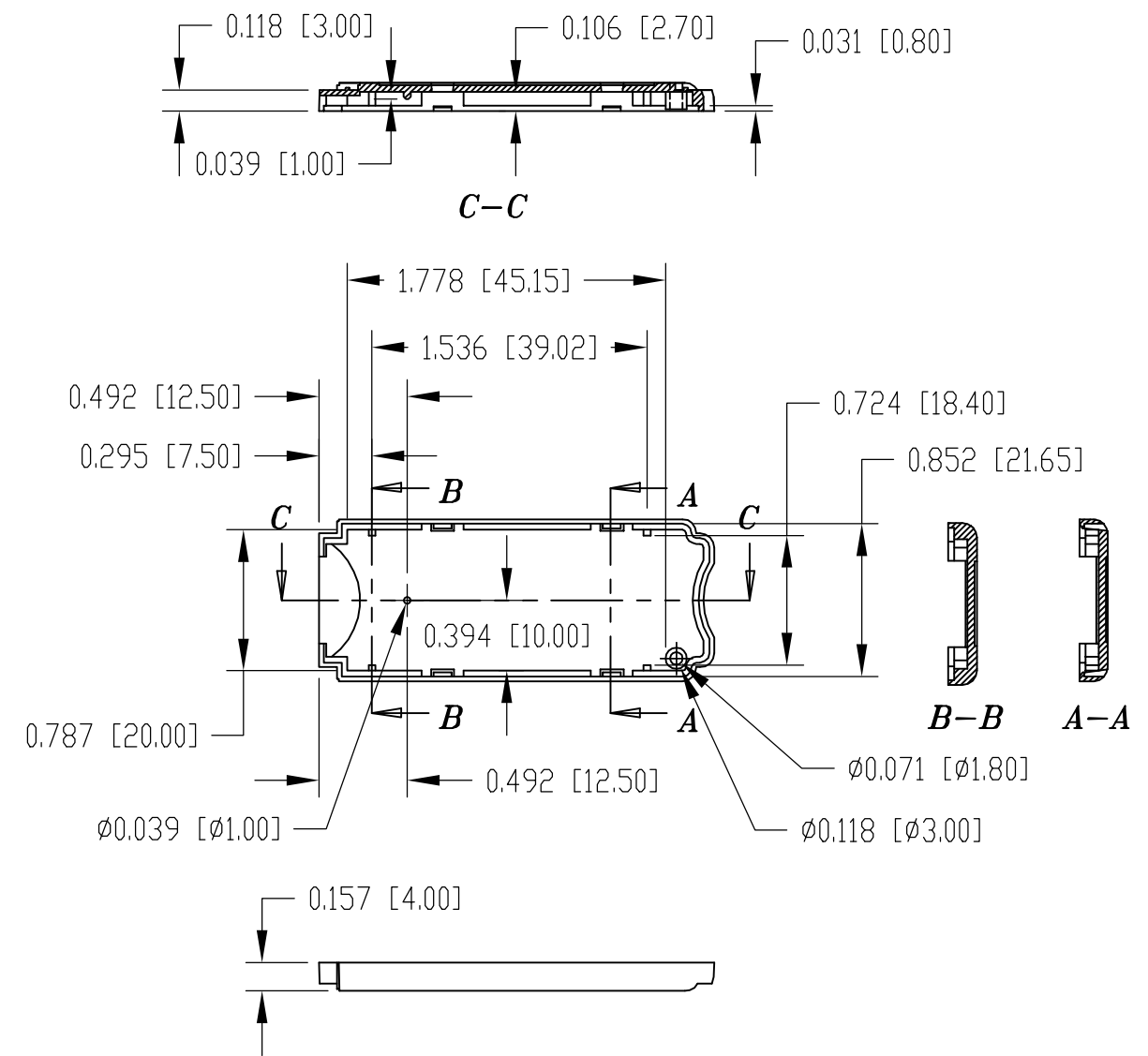
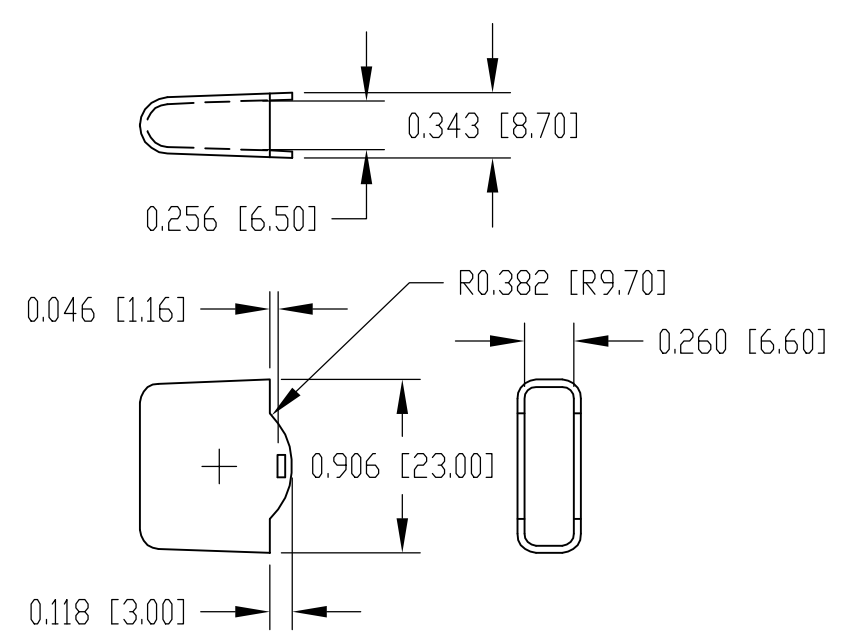


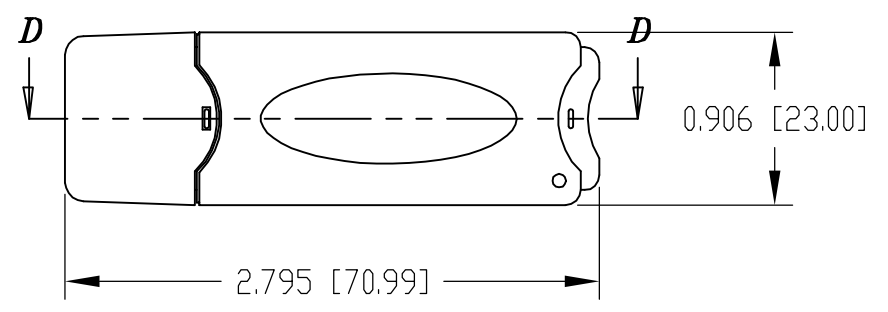
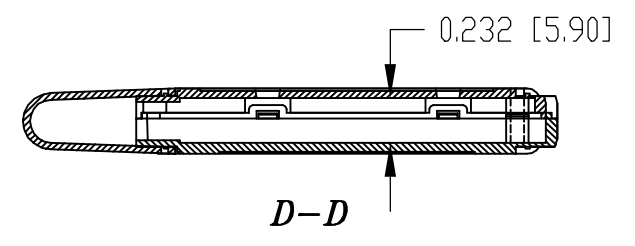
DWG. NO.	USB-7201
ISSUE	REVISIONS
(A)	ADDED DIMENSIONS 3-1-10 DAB



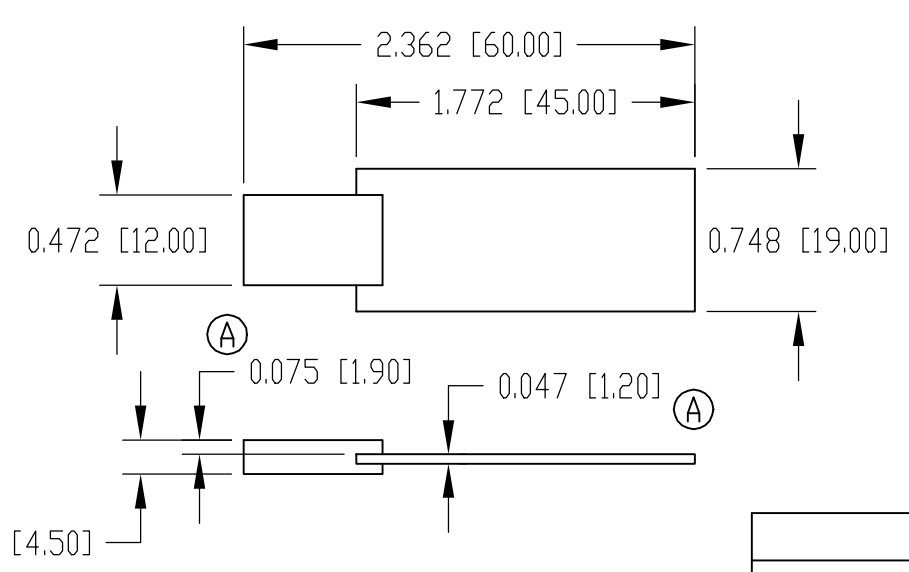
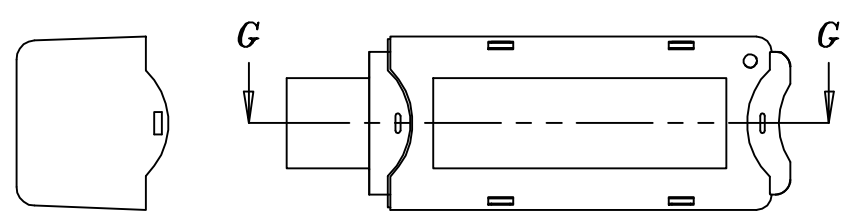
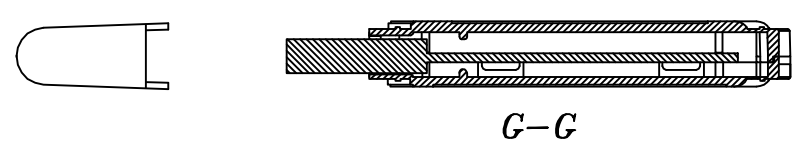
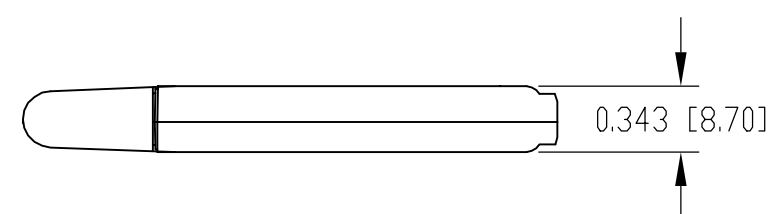
BASE



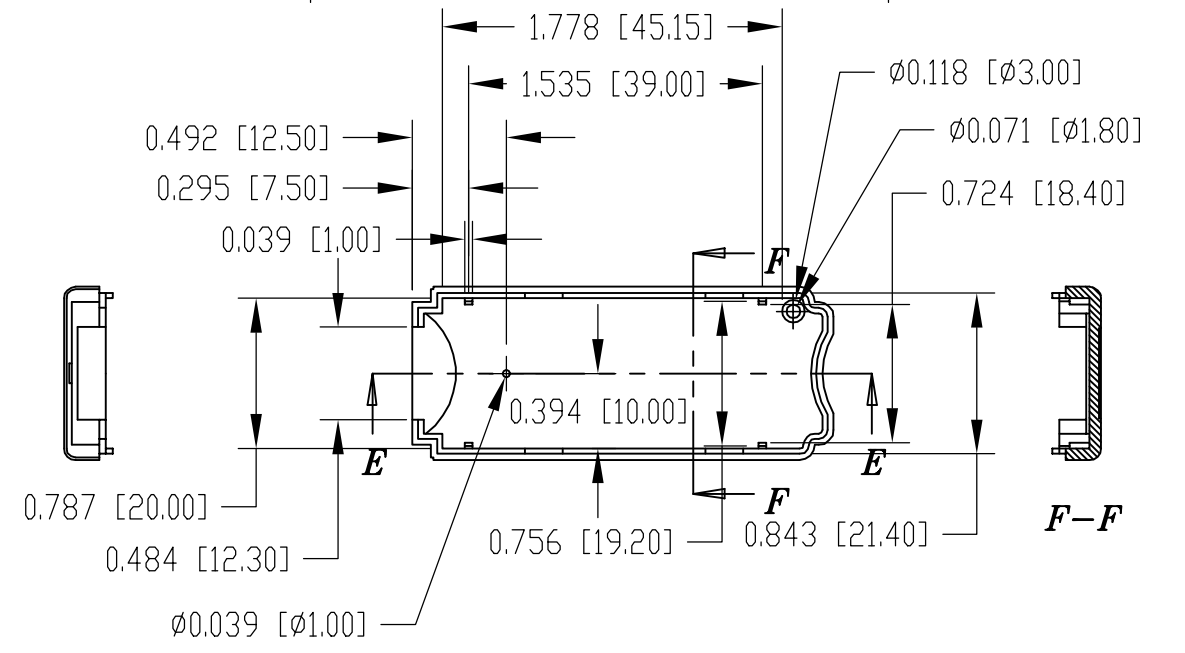
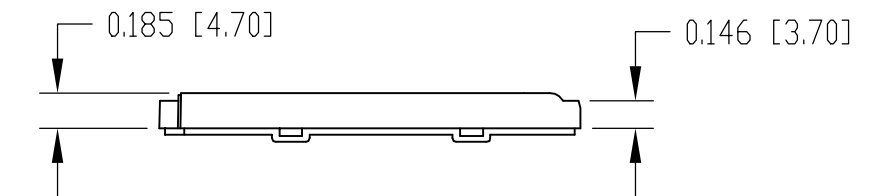
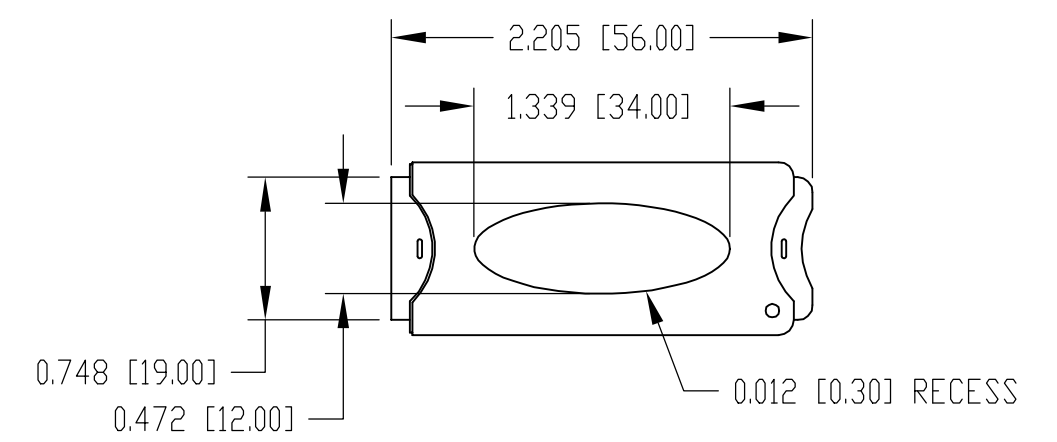
CAP



ASSEMBLED UNIT



RECOMMENDED PCB SIZE



LID

USB-7201-G (GRAY) MATERIAL:
HIGH IMPACT ABS UL94-HB
USB-7201-C (CLEAR) MATERIAL:
POLYCARBONATE UL94V-0

ITEM	REQ'D.	PART NO.	DESCRIPTION
TOLERANCES:			NAME:
±.005 BETWEEN HOLE CENTERS			USB ENCLOSURE
±.015 FROM SHEARED EDGE			
±.032 FROM A BENT SURFACE			BUD INDUSTRIES, INC.
±.063 BETWEEN ASSEMBLED SURFACES			
UNLESS OTHERWISE SPECIFIED			WILLOUGHBY, OHIO
QTY.	USED ON	SCALE:	DWG. NO.
			USB-7201