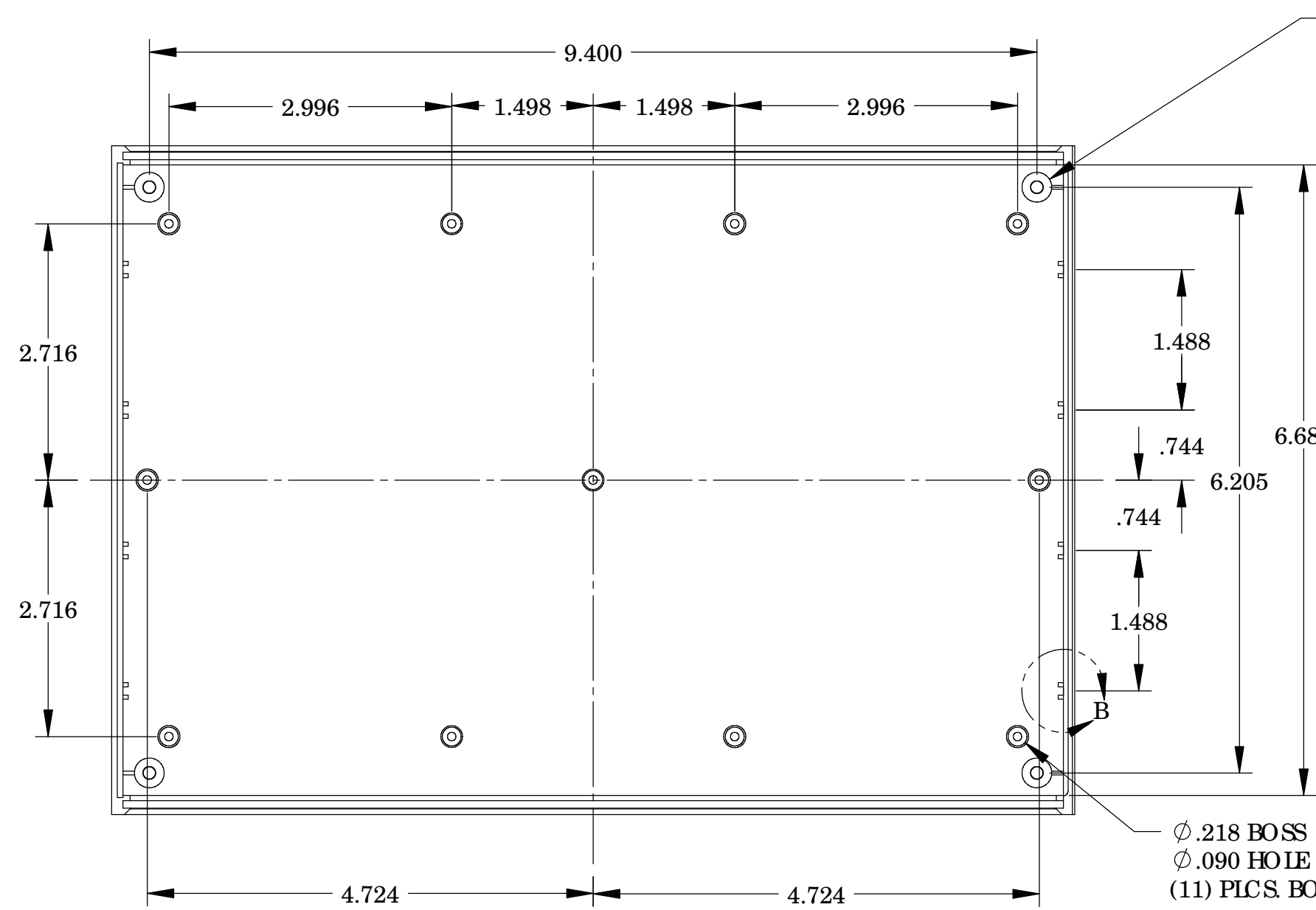


PART NAME

PLASTIC INSTRUMENT CASE

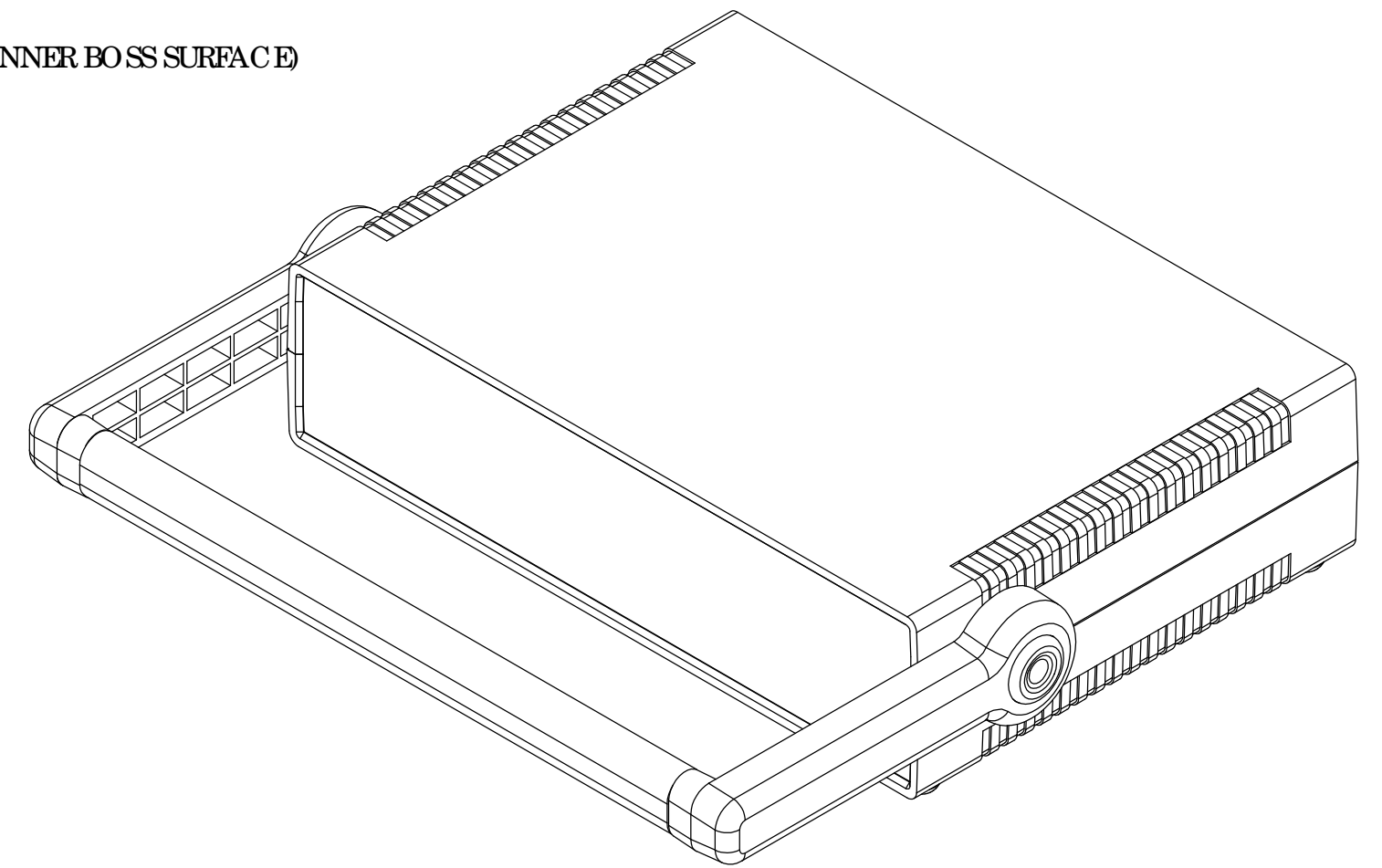
PART No.

IP-6136 & IP-6137 & IP-6138



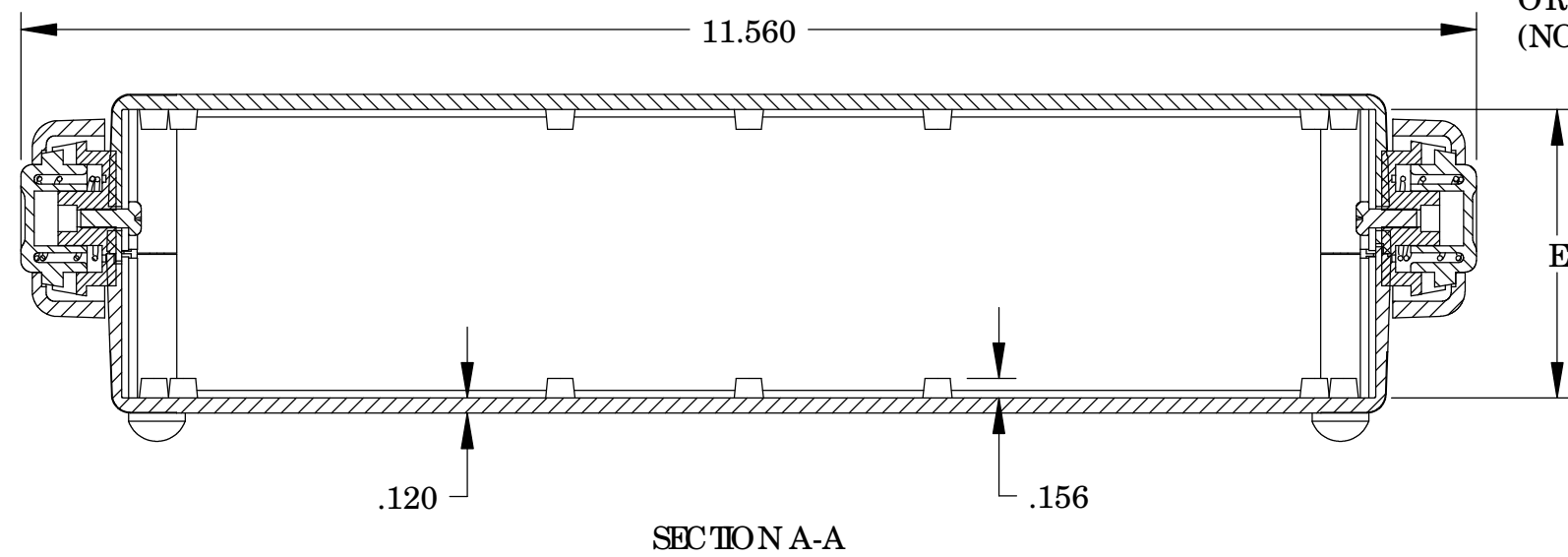
**BOTTOM COVER:**  
 $\phi .248 \nabla .050$   
 $92^\circ \text{ C-SINK} \nabla .665$  (FROM INNER BOSS SURFACE)  
 $\phi .132$  THRU  
 (FAR SIDE 4 PLCS.)

**TOP COVER:**  
 M3 BRASS INSERT (4 PLCS.)

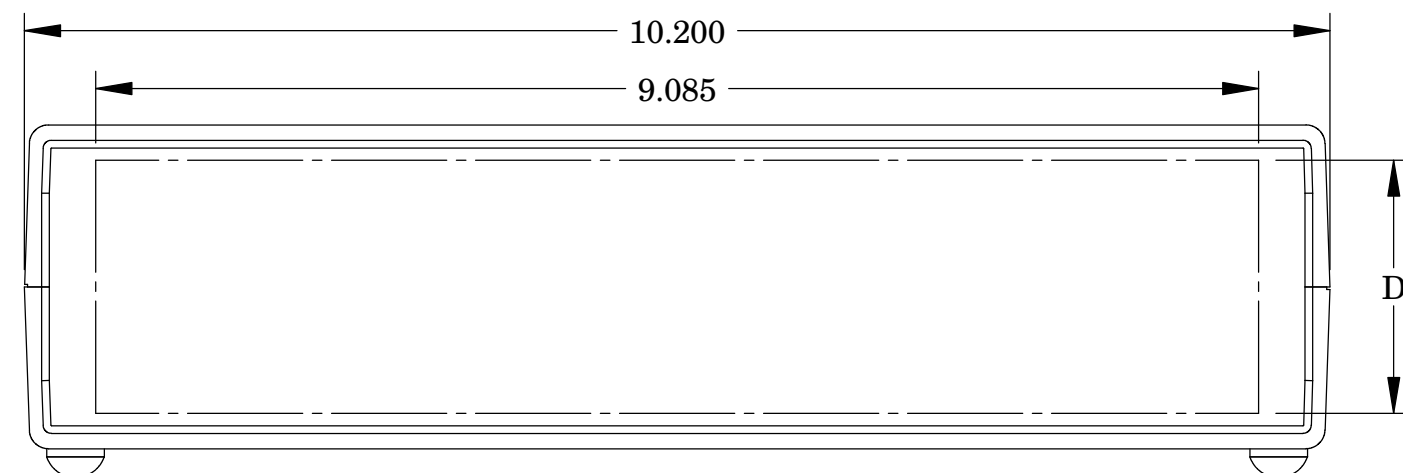
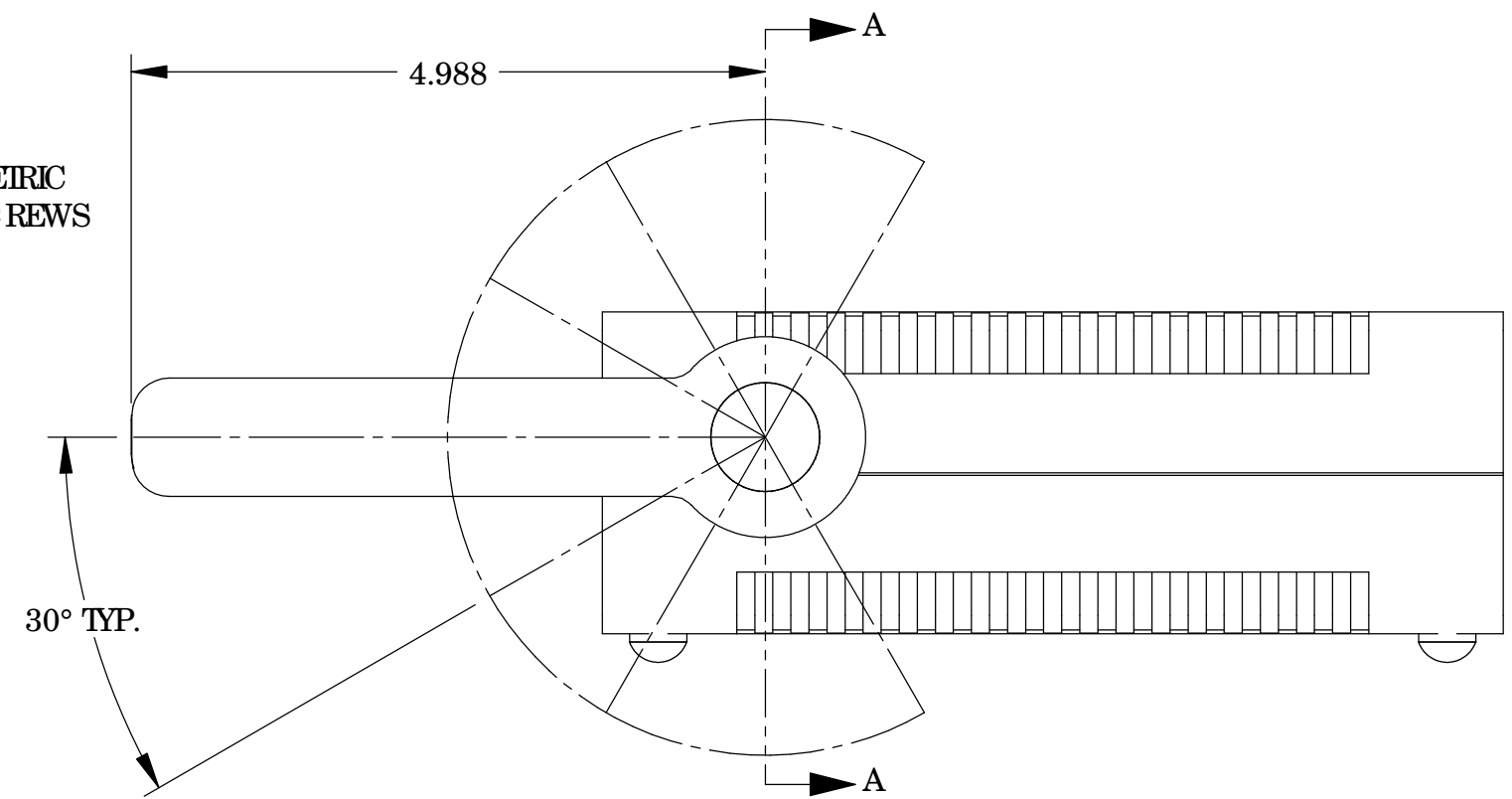


$\phi .218$  BOSS  
 $\phi .090$  HOLE  $\nabla .218$   
 (11) PLCS. BOTH COVERS

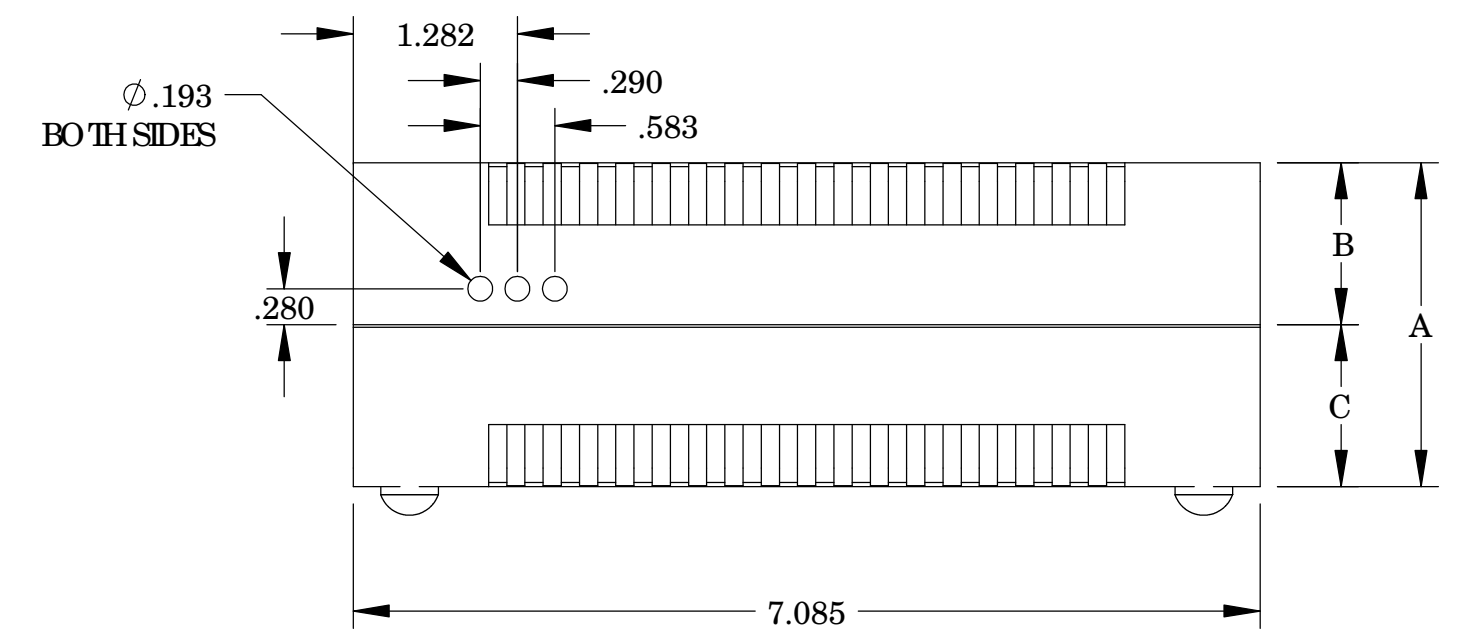
BOSSSES USE EITHER M2.5 METRIC  
 OR # 4 STD. SHEET METAL SCREWS  
 (NOT SUPPLIED)



SECTION A-A



HANDLE NOT SHOWN



**NOTES:**

- MATERIALS & FINISHES:**  
 COVERS - ABS (LIGHT GREY)  
 UL94-HB FLAMMABILITY RATING  
 PANELS - ABS (BLACK)  
 UL94-HB FLAMMABILITY RATING  
 HANDLE SUPPORTS - ABS (GREY)  
 UL94-HB FLAMMABILITY RATING  
 HANDLE - ALUMINUM EXTRUSION (CLEAR ANODIZE)

**HARDWARE INCLUDED:**

- HANDLE KIT AND (2) M4 x 10mm PAN HEAD MOUNTING SCREWS INCLUDED  
 (4) M3 x 25mm FLATHEAD SCREWS  
 (4) RUBBER FEET

ALL DIMENSIONS HAVE  $\pm .015$  TOLERANCE UNLESS OTHERWISE SPECIFIED

PART No.	TOTAL HEIGHT	COVER HEIGHT	BASE HEIGHT	USEABLE PANEL SPACE	INTERNAL CLEARANCE
	A	B	C	D	E
IP-6136	2.530	1.265	1.265	1.978	2.290
IP-6137	3.320	2.055	1.265	2.768	3.080
IP-6138	4.110	2.055	2.055	3.558	3.870