

PART NAME

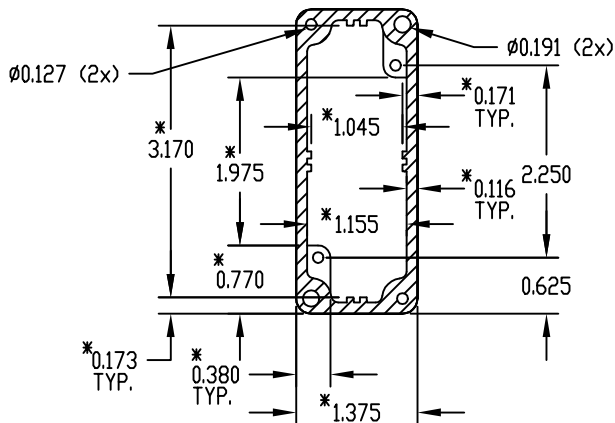
NEMA 4X DIE CAST ALUMINUM ENCLOSURE

PART No.

AN-1300, AN-1300-G, AN-2800 & AN-2800-B

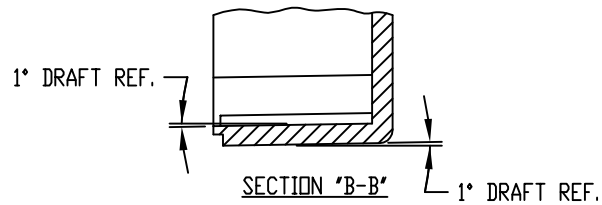
REV. DATE

12-6-07

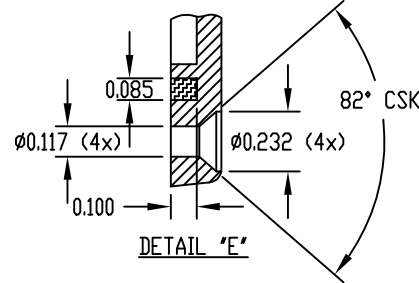


SECTION "C-C"

* DIMENSIONS ARE AT BOTTOM OF ENCLOSURE



SECTION "B-B"



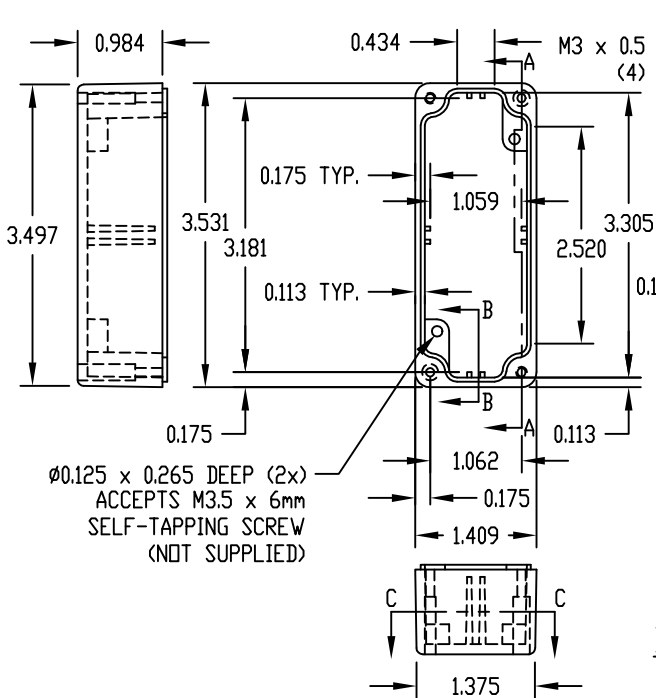
DETAIL "E"

MATERIAL: ALUMINUM ALLOY #ADC-12

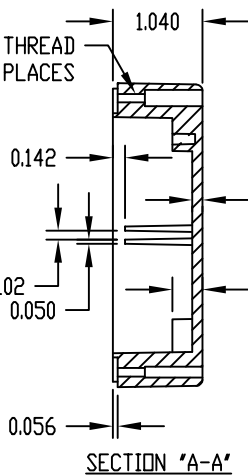
FINISH: NATURAL (NO SUFFIX)
GRAY (SUFFIX -G)
SMOOTH BLACK (SUFFIX -B)

NOTES:

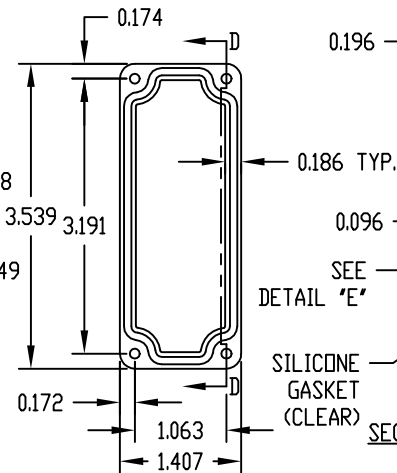
- 1) FOUR (4) M3 x 10mm (0.393") LG. SCREWS SUPPLIED FOR ASSEMBLY OF COVER TO BODY.
- 2) ALL HOLE DIAMETERS HAVE ± 0.005 TOLERANCE
ALL OTHER DIMENSIONS HAVE ± 0.015 TOLERANCE



BODY



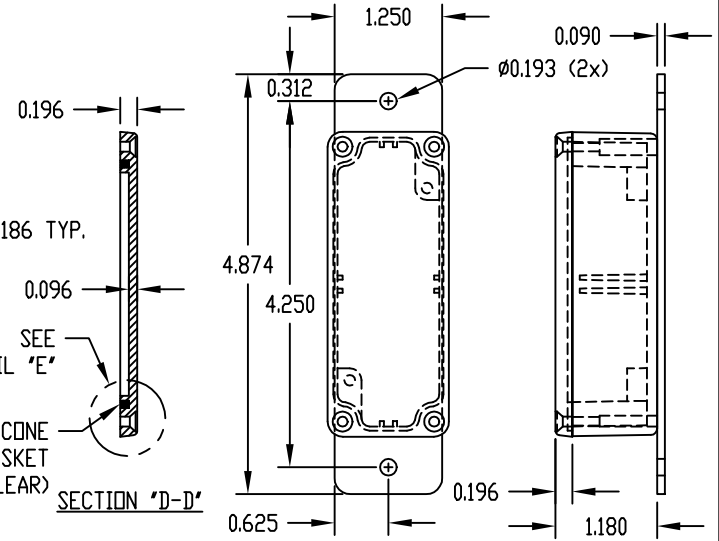
SECTION "A-A"



SEE DETAIL "E"

SILICONE GASKET (CLEAR)

COVER



PART NO. AN-2800 & AN-2800-B ARE SUPPLIED WITH A WELDED ON MOUNTING BRACKET ONLY.