

PART NAME

NEMA 4X DIE CAST ALUMINUM ENCLOSURE

PART No.

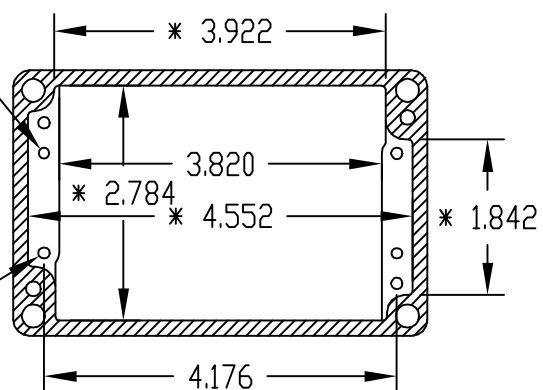
AN-1314, AN-1314-G, AN-2814 & AN-2814-B

REV. DATE

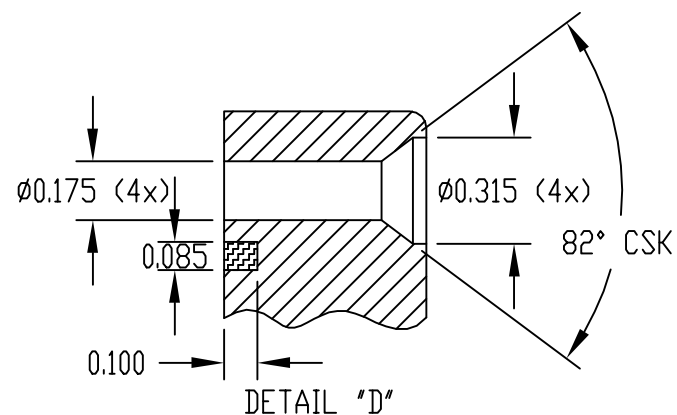
12-17-08

∅0.125 x 0.290 DEEP (2x)
ACCEPTS M3.5 x 6mm
SELF-TAPPING SCREW
(NOT SUPPLIED)

∅0.136 x 0.290 DEEP (4x)
ACCEPTS M4 x 6mm
SELF-TAPPING SCREW
(NOT SUPPLIED)



SECTION "B-B"
* DIMENSIONS ARE AT
BOTTOM OF ENCLOSURE



MATERIAL: ALUMINUM ALLOY #ADC-12

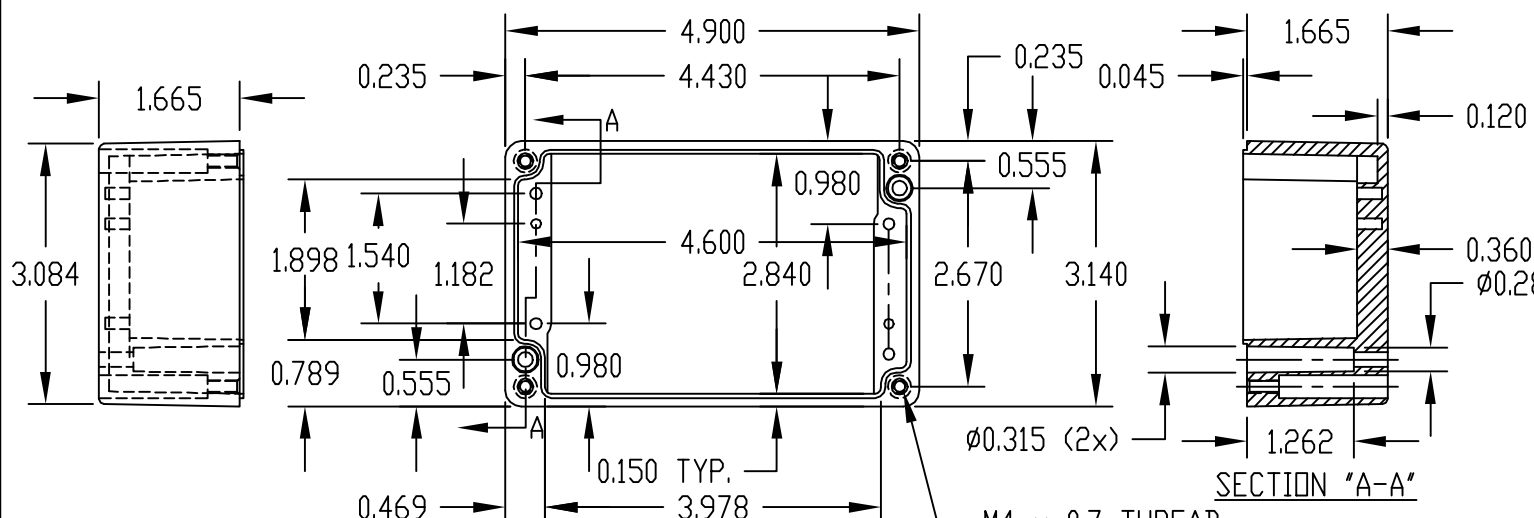
FINISH: NATURAL (NO SUFFIX)

GRAY (SUFFIX -G)

SMOOTH BLACK (SUFFIX -B)

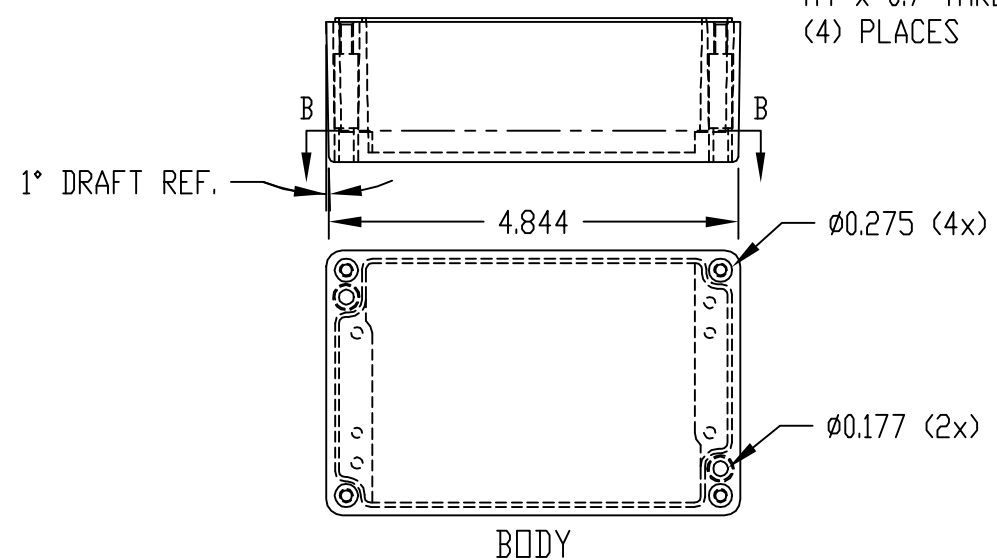
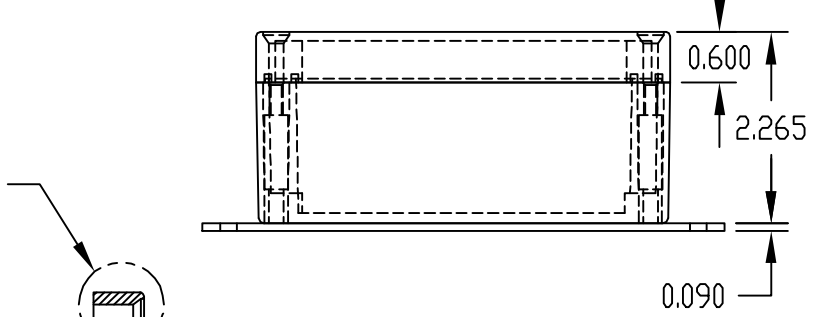
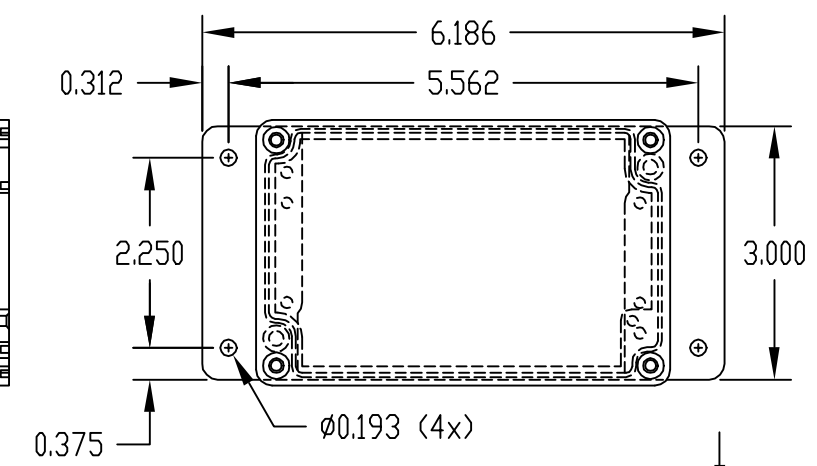
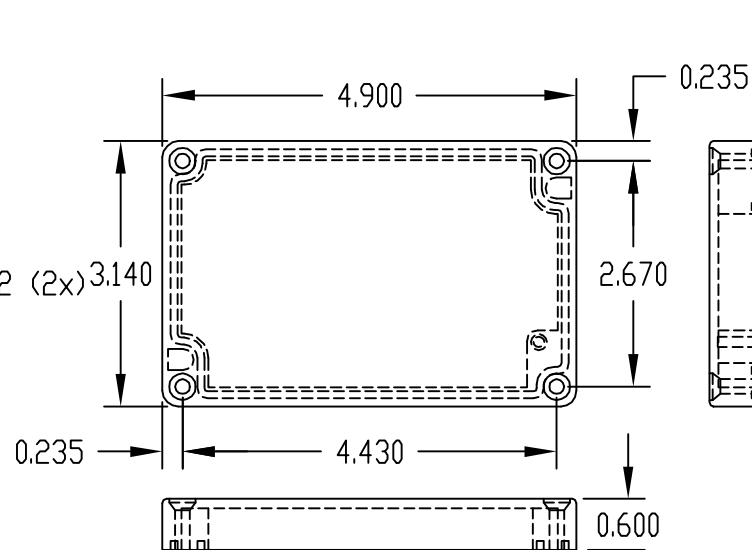
NOTES:

- 1) FOUR (4) M4 x 25mm (0.975") LG. SCREWS SUPPLIED FOR ASSEMBLY OF COVER TO BODY.
- 2) ALL HOLE DIAMETERS HAVE ±0.005 TOLERANCE ALL OTHER DIMENSIONS HAVE ±0.015 TOLERANCE



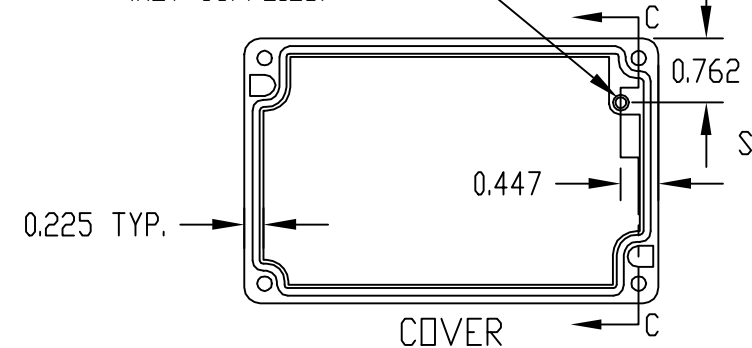
SECTION "A-A"

M4 x 0.7 THREAD
(4) PLACES



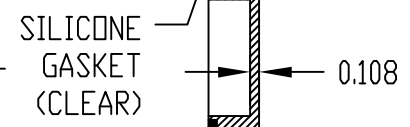
BODY

∅0.125 x 0.500 DEEP (1x)
ACCEPTS M3.5 x 6mm
SELF-TAPPING SCREW
(NOT SUPPLIED)



COVER

SEE DETAIL "D"



SECTION "C-C"

PART NO. AN-2814 & AN-2814-B
ARE SUPPLIED WITH A WELDED
ON MOUNTING BRACKET ONLY.