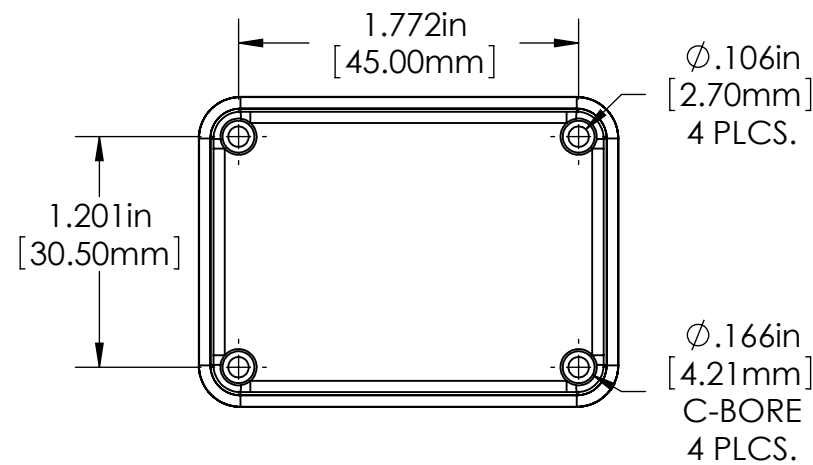
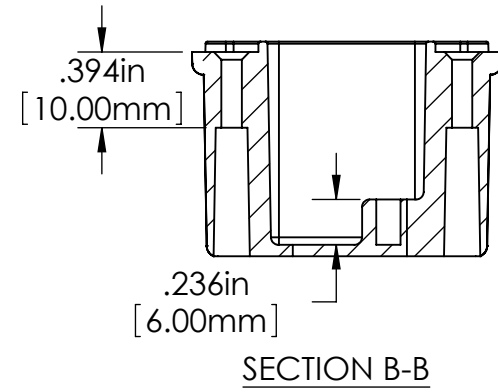
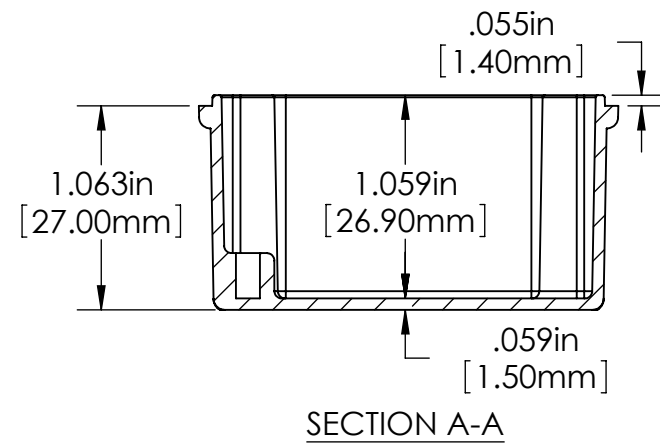
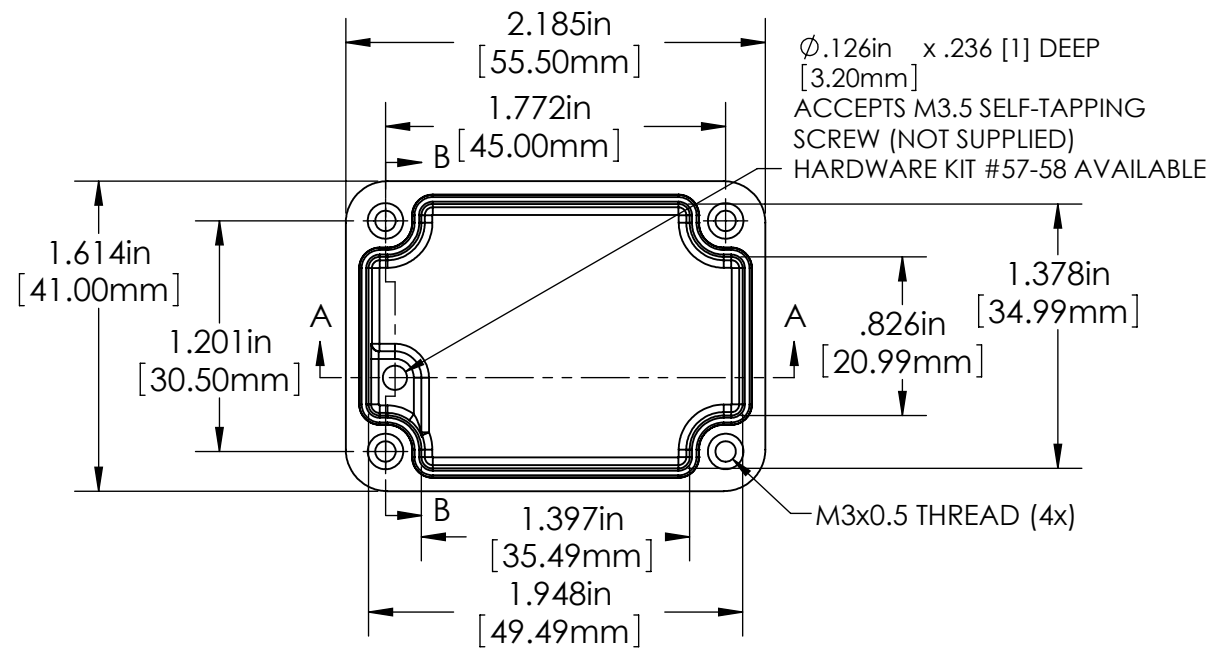
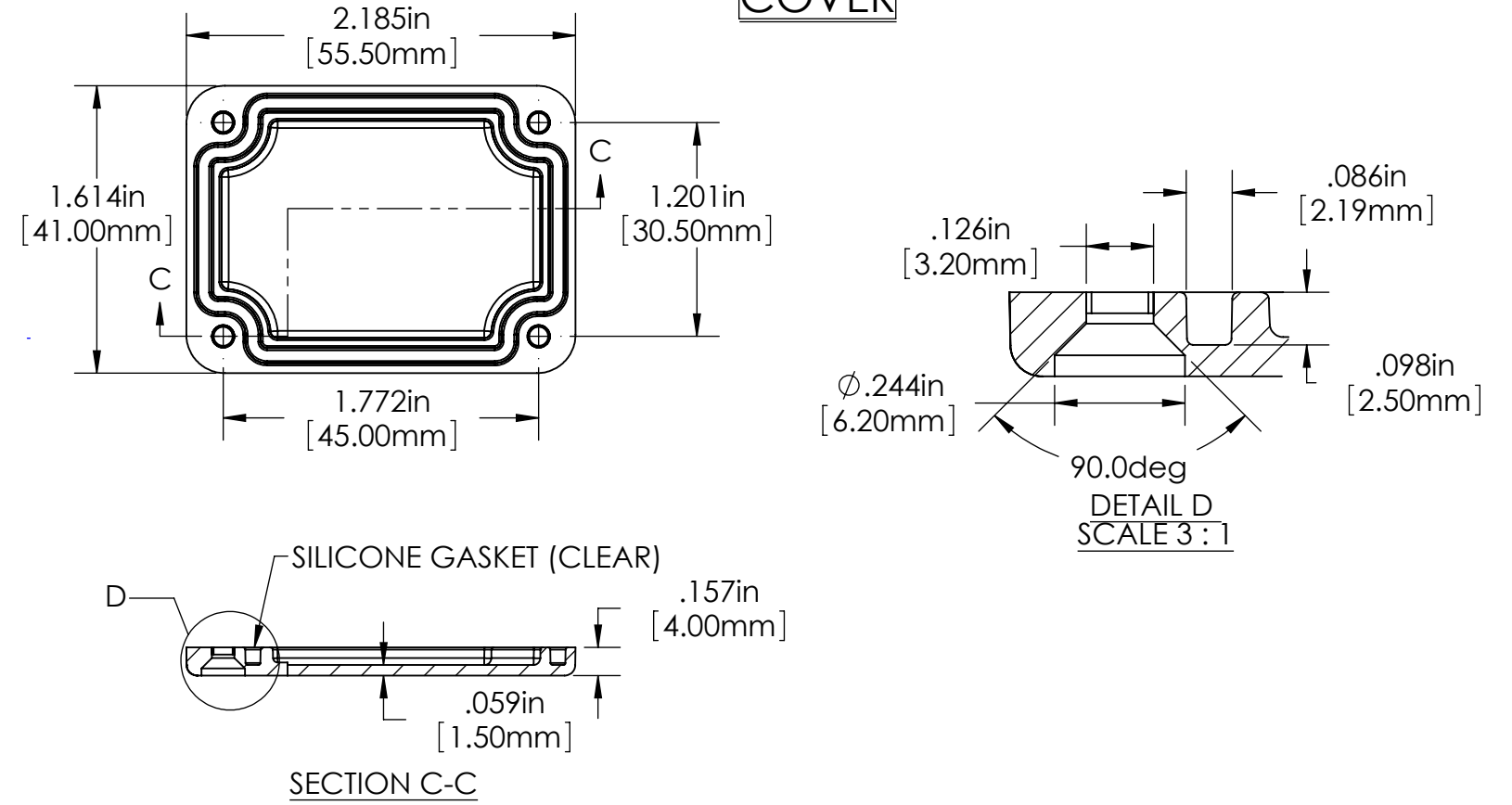


BODY ASSEMBLY

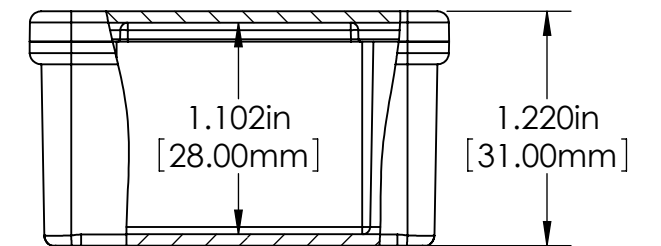
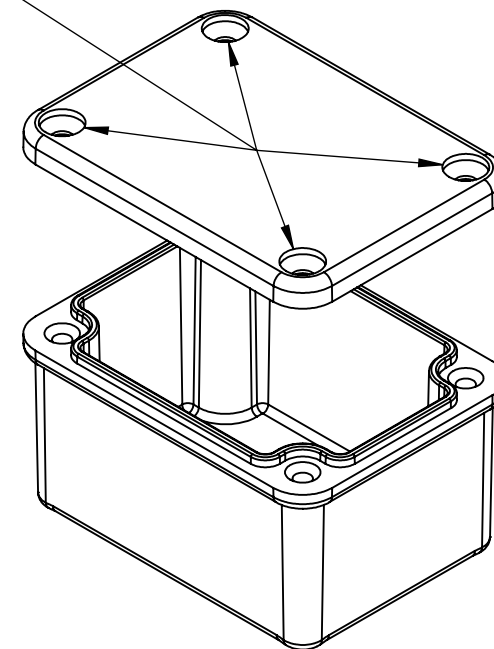


COVER



ASSEMBLY

FOUR (4) M3x0.5 x 12mm (.472") LG. FLAT HD. STAINLESS STEEL SCREWS SUPPLIED FOR ASSEMBLY OF COVER



MATERIAL: ALUMINUM (ADC-12 ALLOY)
 FINISH: NATURAL
 TOLERANCES: \pm .015 [\pm .38]