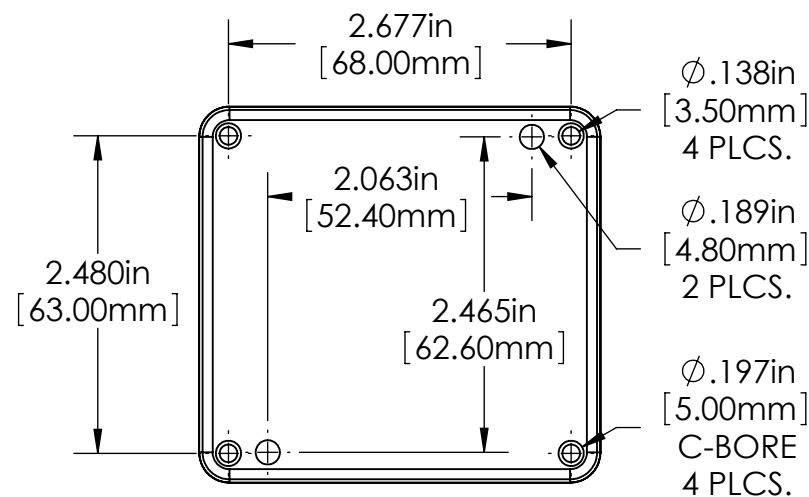
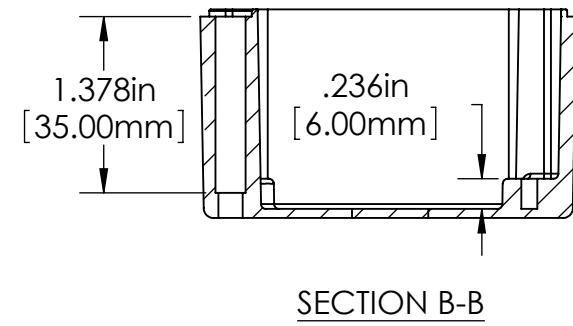
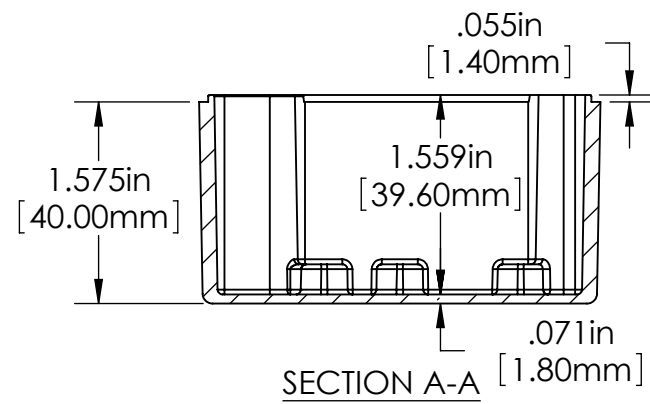
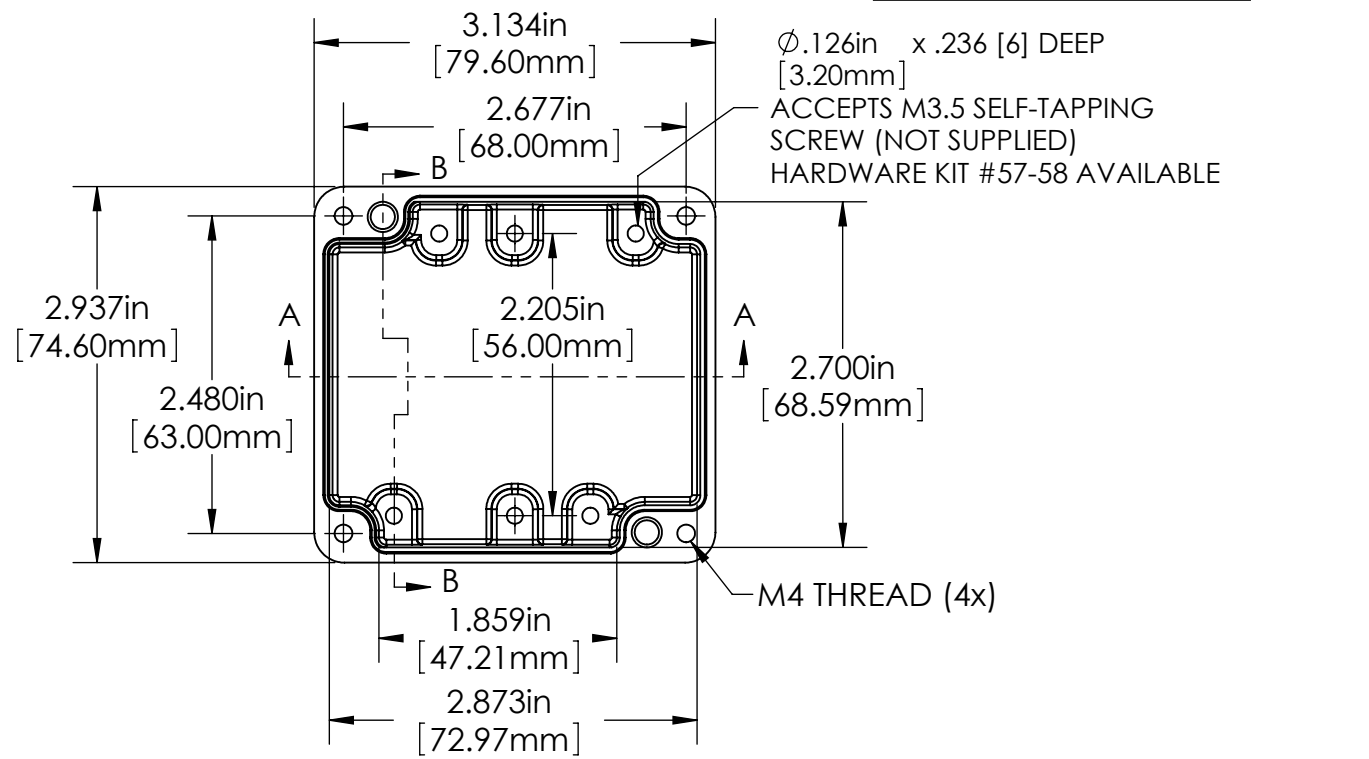
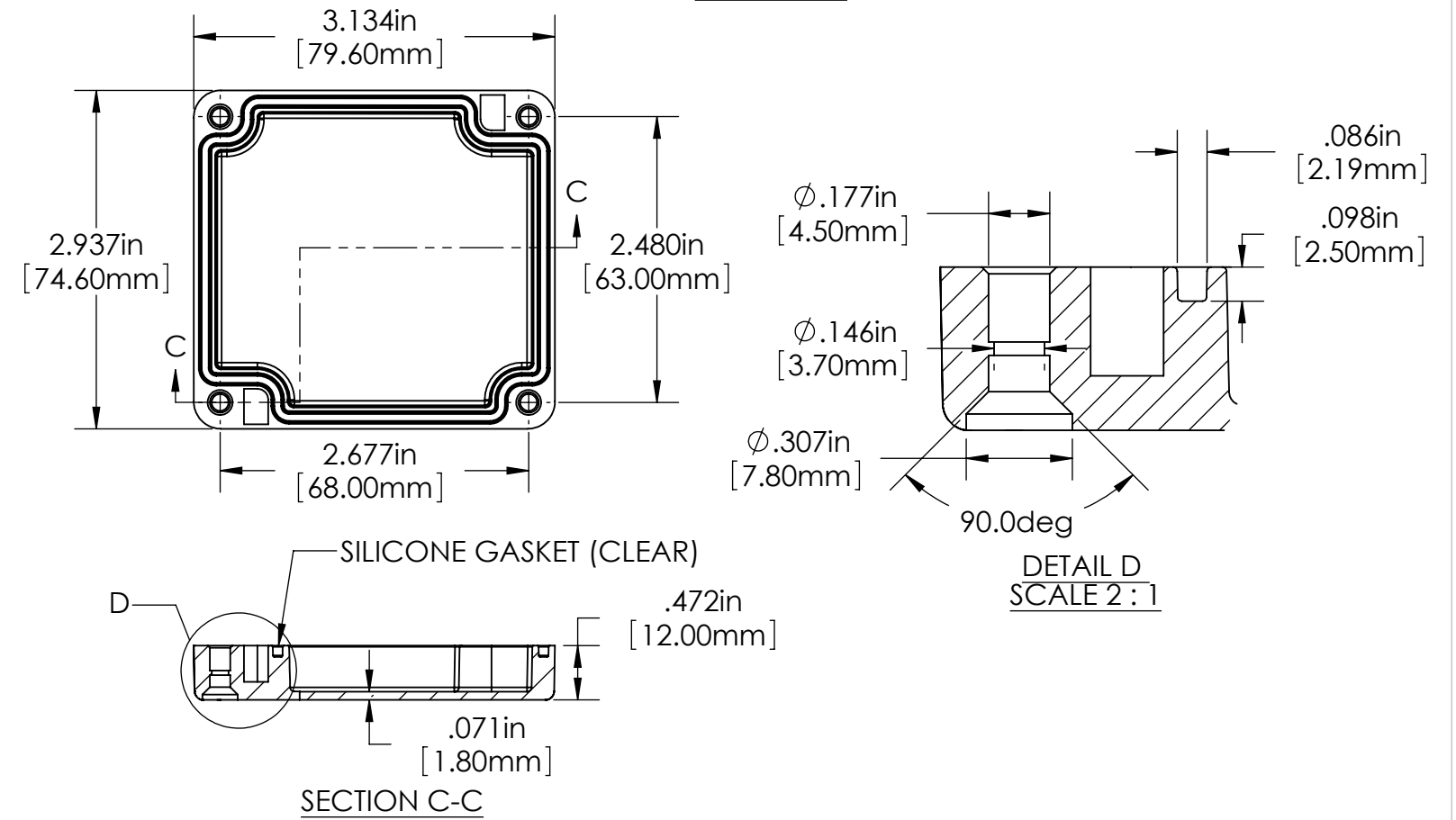


**BODY ASSEMBLY**

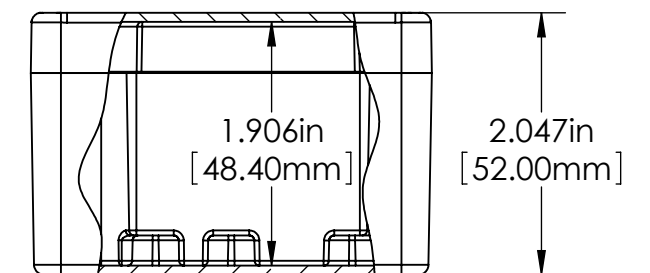
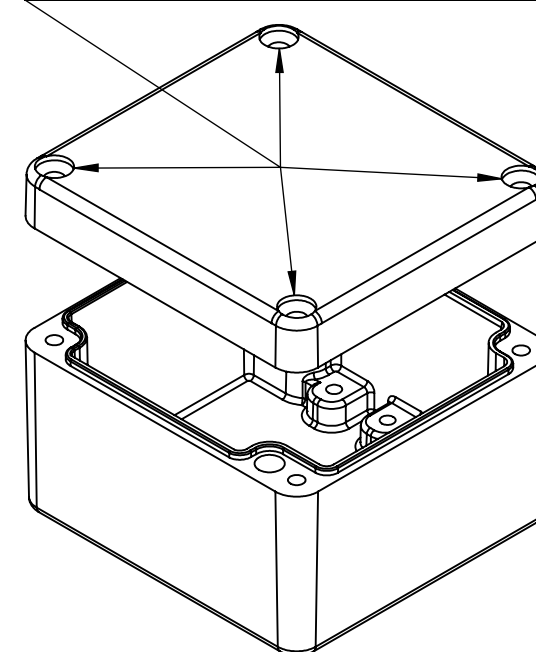


**COVER**



**ASSEMBLY**

FOUR (4) M4 x 20mm (.788") LG. FLAT HD. STAINLESS STEEL SCREWS SUPPLIED FOR ASSEMBLY OF COVER



MATERIAL: ALUMINUM (ADC-12 ALLOY)  
 FINISH: NATURAL  
 TOLERANCES:  $\pm$ .015 [ $\pm$ .38]