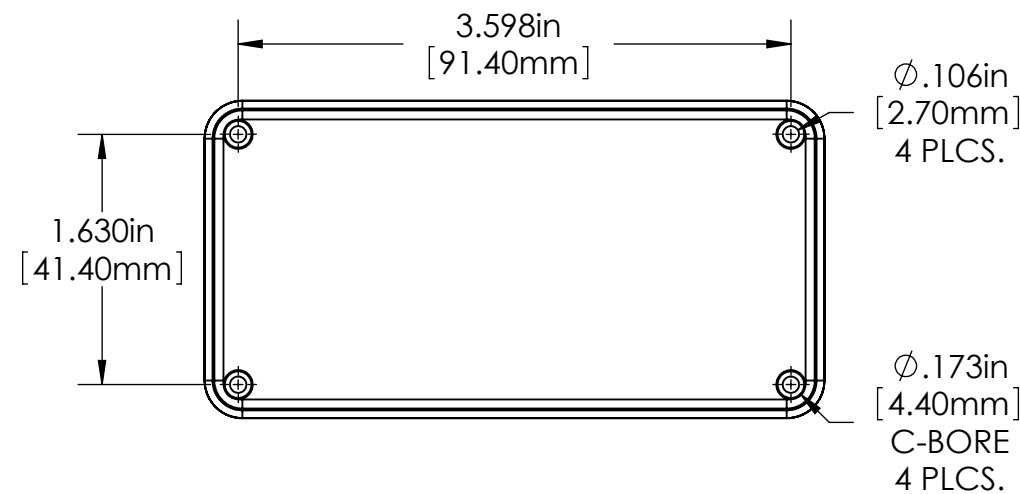
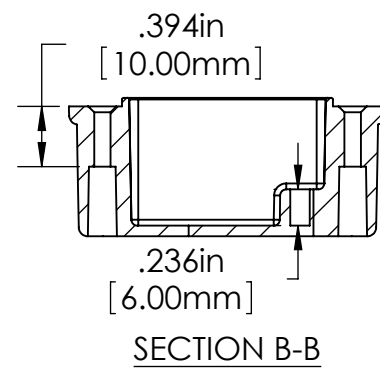
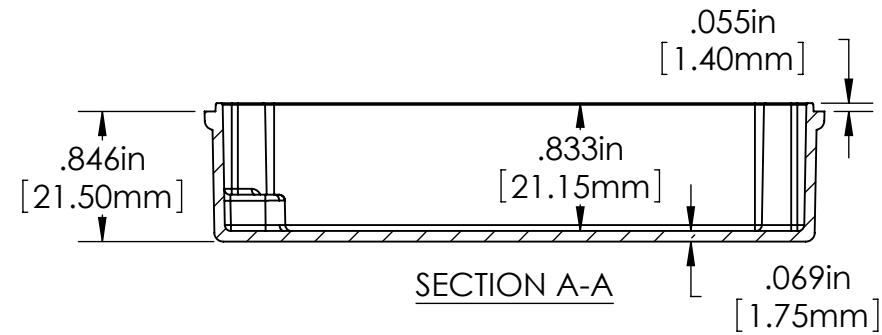
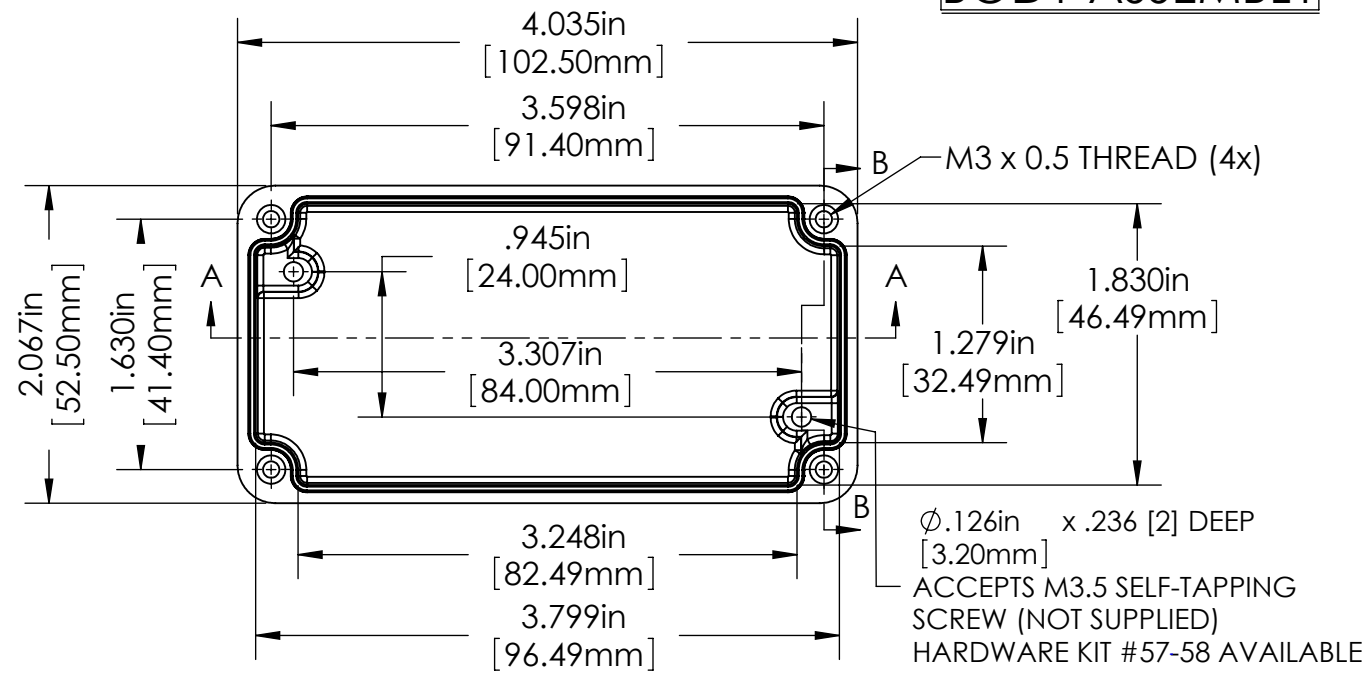
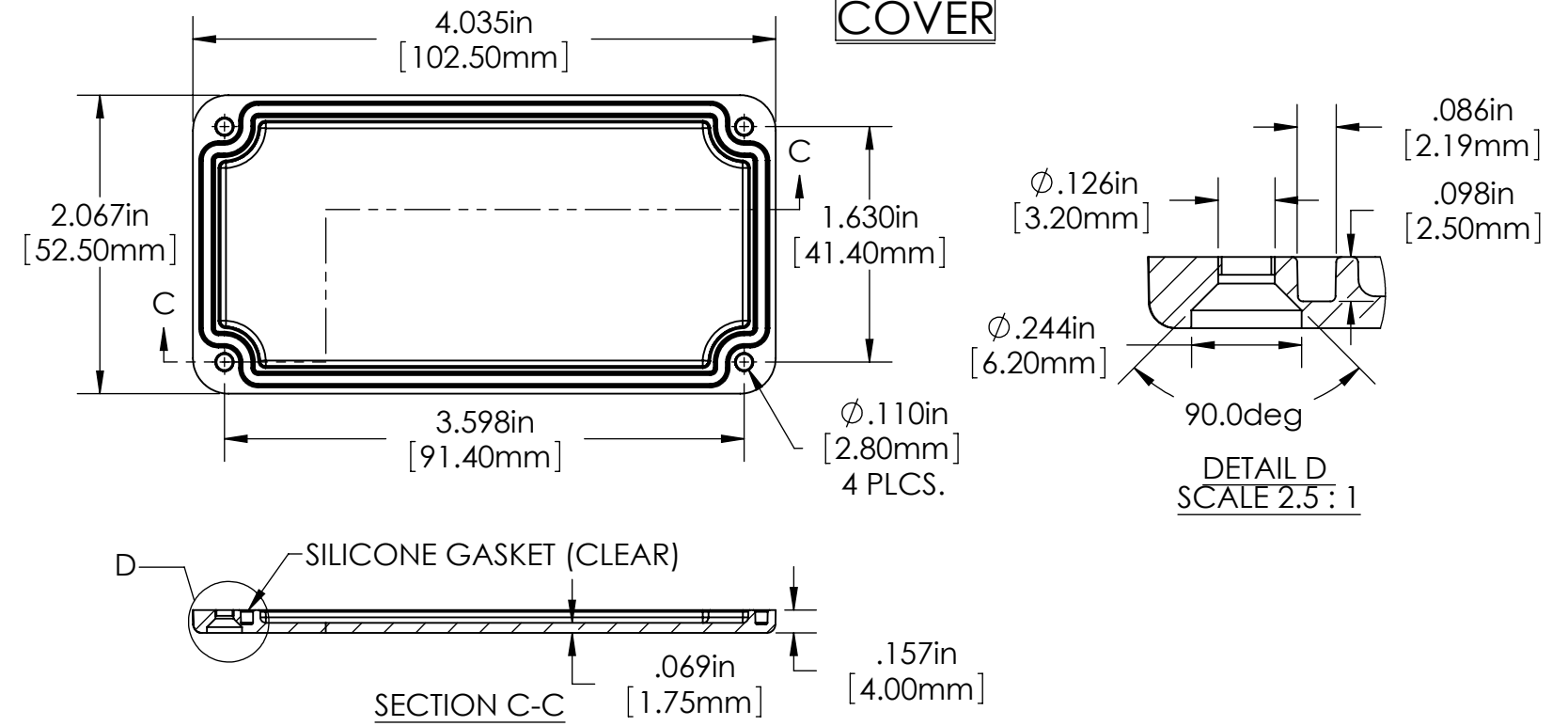


BODY ASSEMBLY

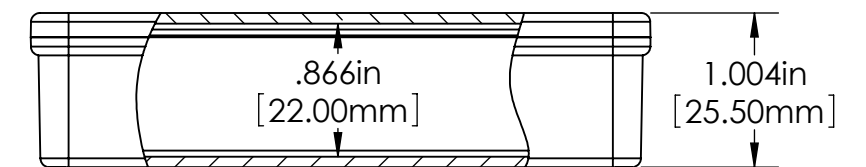
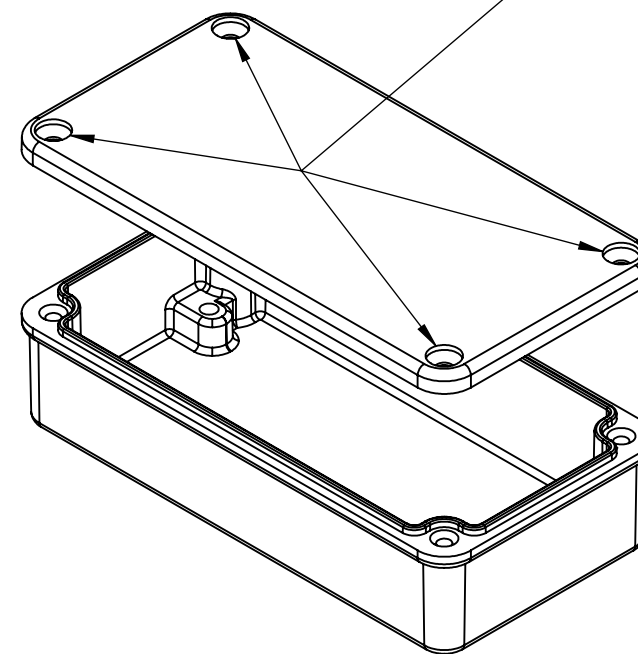


COVER



ASSEMBLY

FOUR (4) M3 x 0.5 x 12mm (.472") LG. FLAT HD. STAINLESS STEEL SCREWS SUPPLIED FOR ASSEMBLY OF COVER



MATERIAL: ALUMINUM (ADC-12 ALLOY)
 FINISH: NATURAL
 TOLERANCES: $\pm .015 [\pm .38]$