

PART NAME

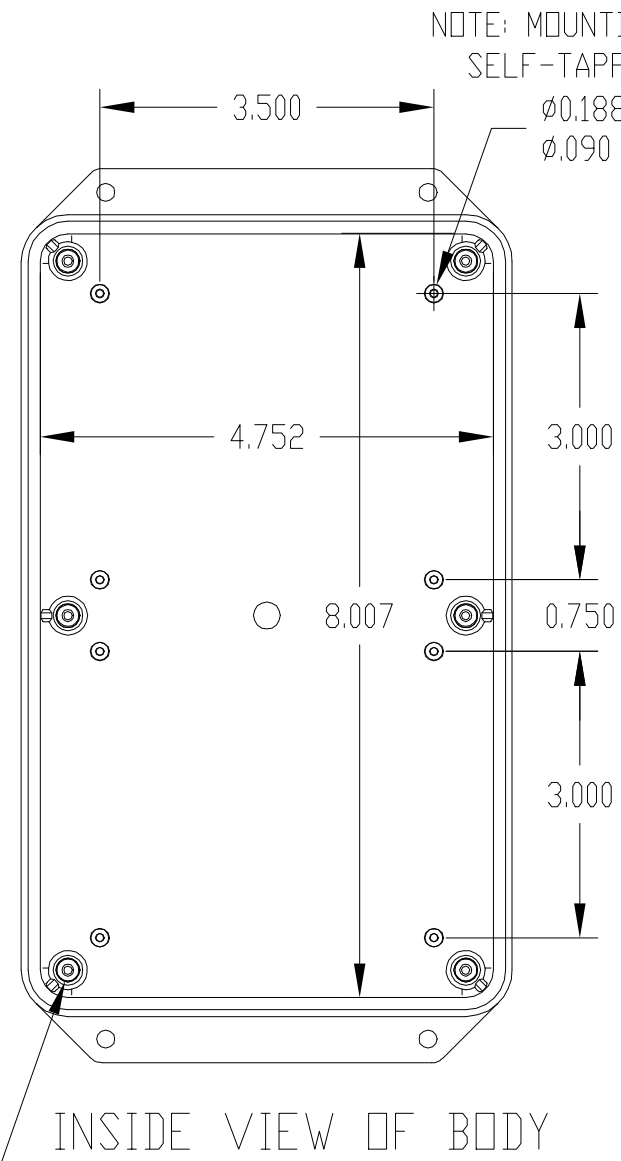
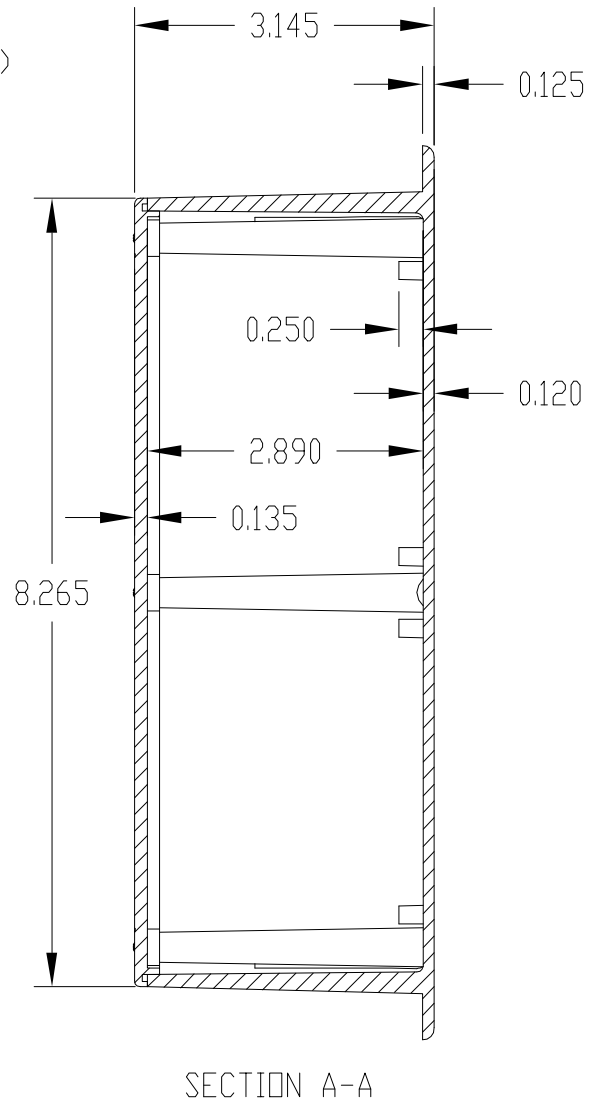
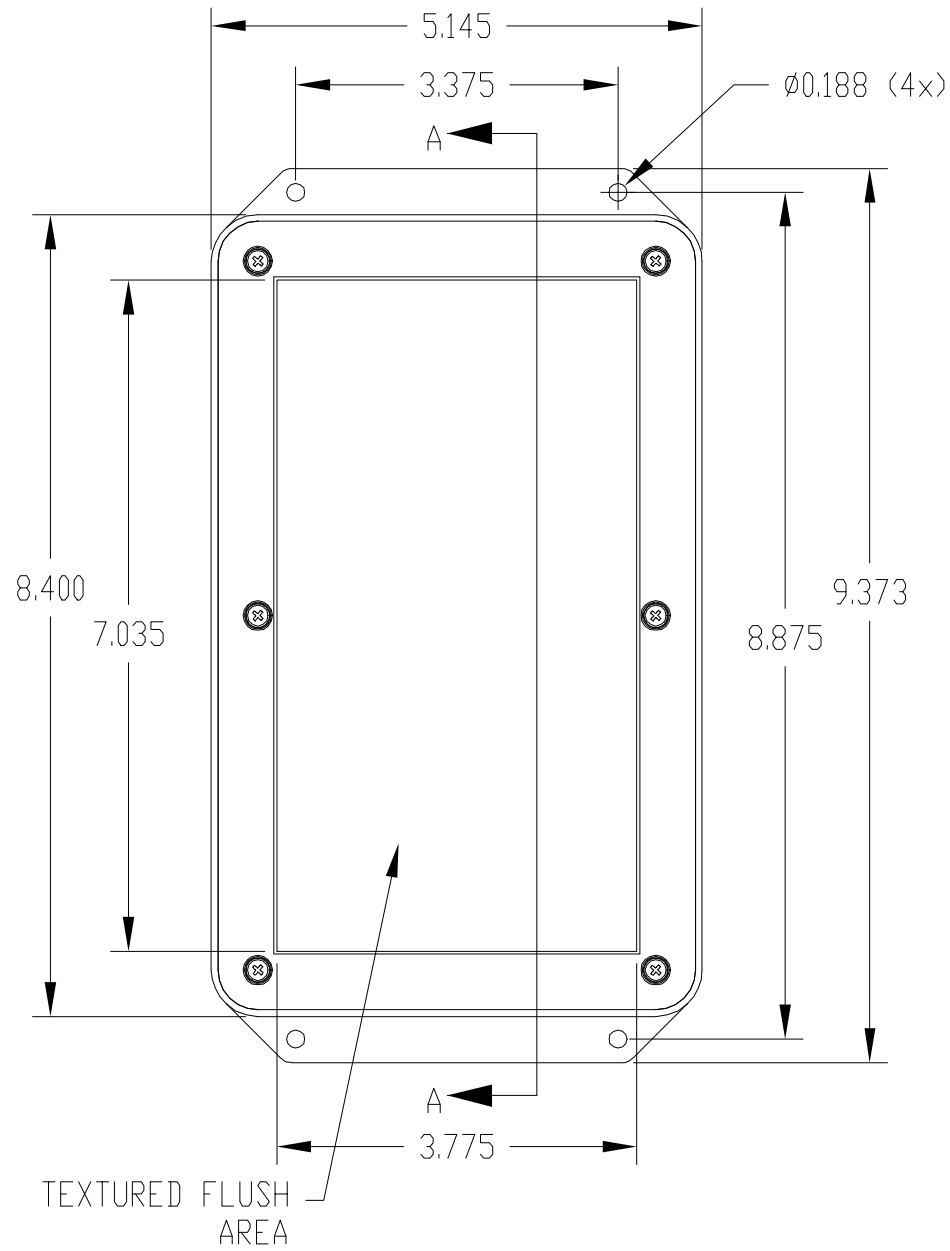
NEMA PLASTIBOX STYLE J

PART No.

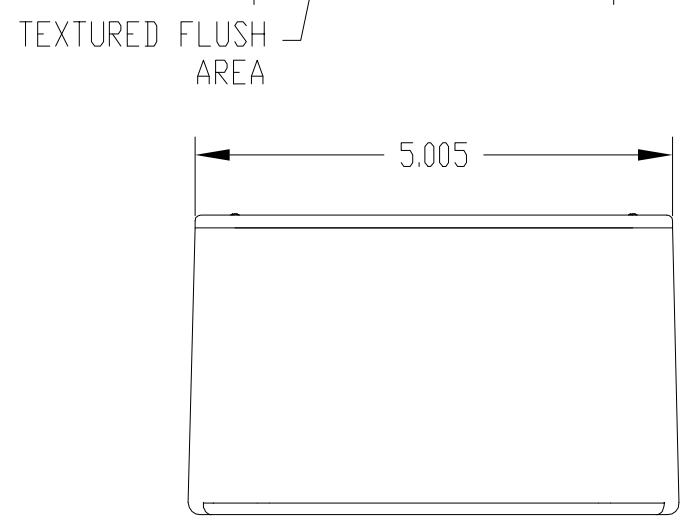
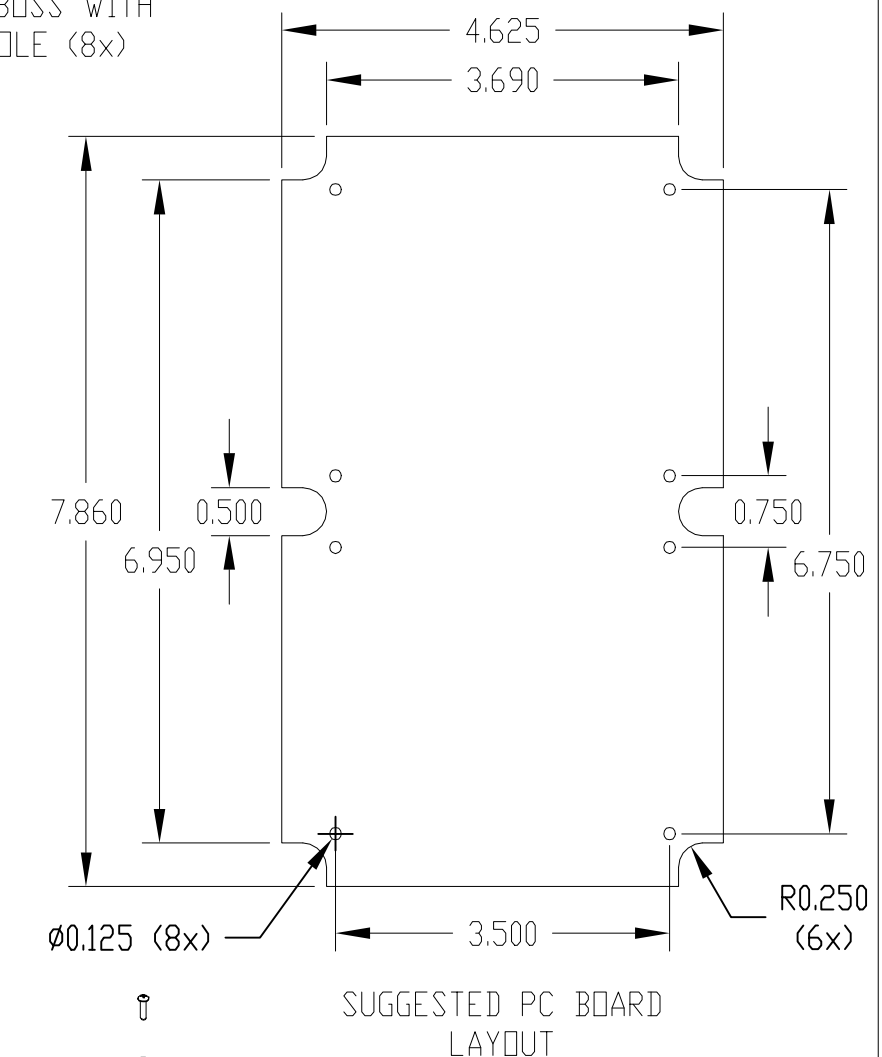
PT-11800

REVISION DATE

7-27-09



NOTE: MOUNTING BOSSES USE #4 x 1/4 LG. SELF-TAPPING SCREWS (NOT SUPPLIED)
 $\phi 0.188$ BOSS WITH $\phi 0.090$ HOLE (8x)



MEETS NEMA 4X AND IP65 RATINGS
INCLUDES $\phi .072$ THK. COVER GASKET AND SIX (6) $\phi .072$ THK. O-RINGS FOR COVER SCREWS.
COVER SCREWS ARE #4-40 x 1/2" LG. MACHINE (BLACK).
MATERIAL: ENCLOSURE - ABS WITH UL94-5VA FLAMMABILITY RATING
GASKET & O-RINGS - BUNA
FINISH: ENCLOSURE - TEXTURED BLACK
GASKET & O-RINGS - BLACK
ALL DIMENSIONS HAVE $\pm .015$ TOLERANCE

