

PART NAME

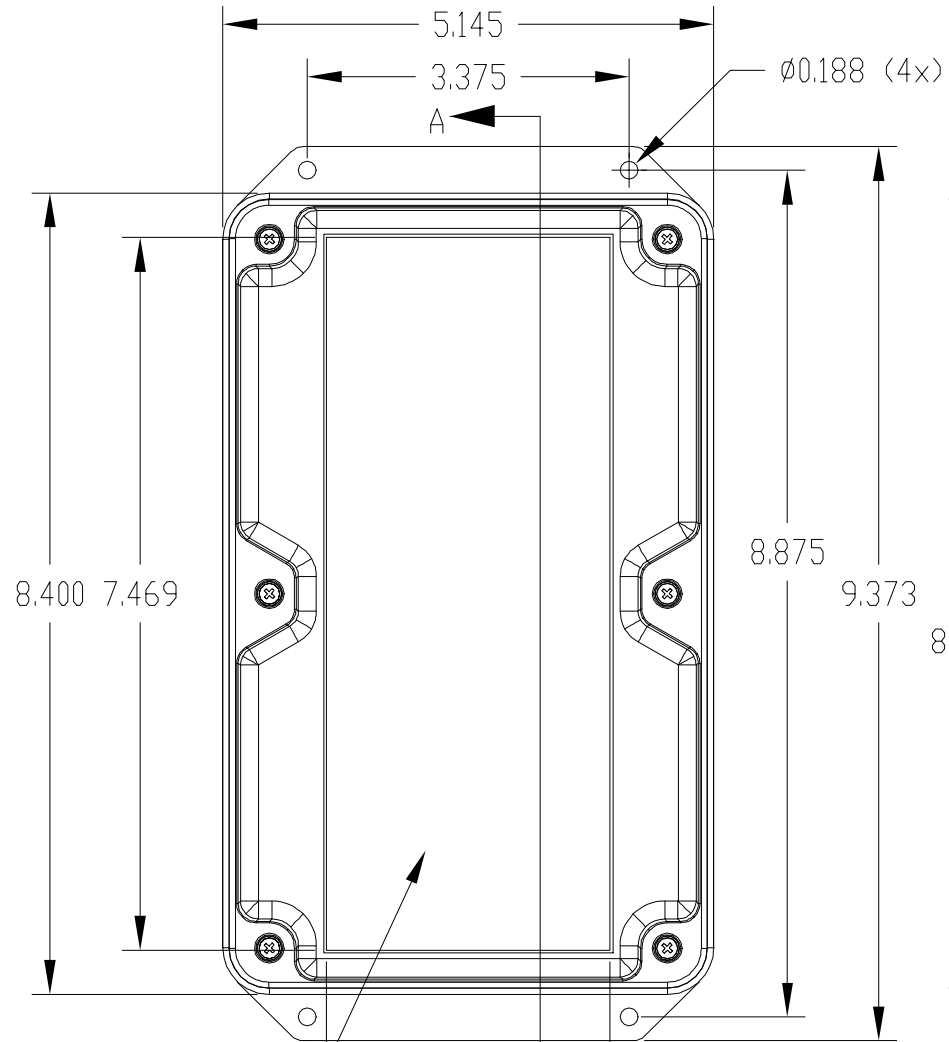
NEMA PLASTIBOX STYLE J

PART No.

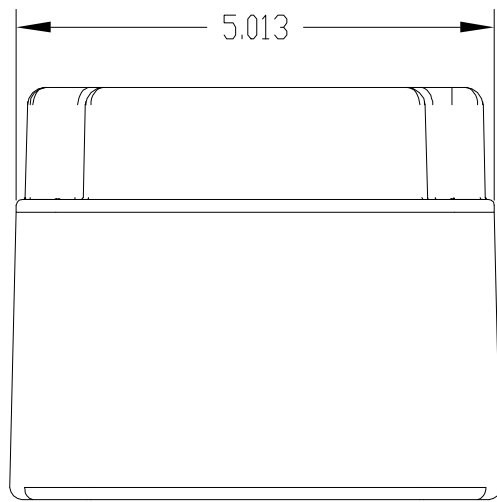
PT-11801

REVISION DATE

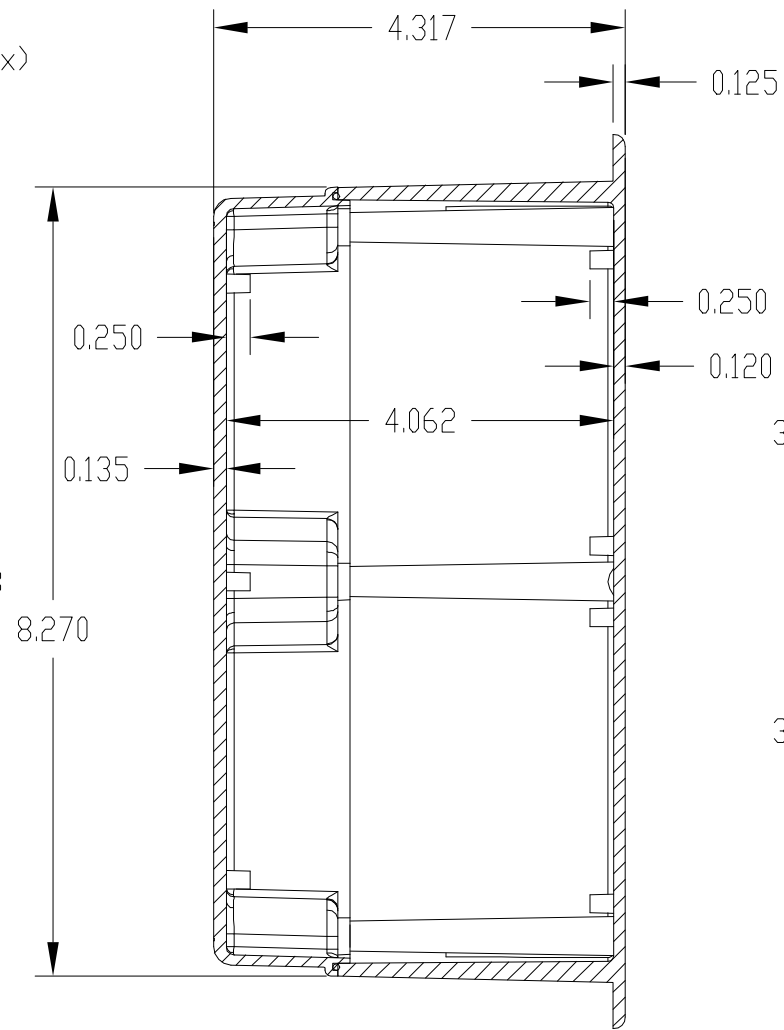
7-27-09



TEXTURED FLUSH AREA



ALL DIMENSIONS HAVE ±.015 TOLERANCE



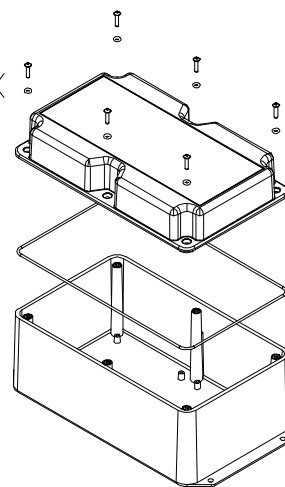
SECTION A-A

MEETS NEMA 4X AND IP65 RATINGS

INCLUDES ϕ .072 THK. COVER GASKET AND SIX (6) ϕ .072 THK. O-RINGS FOR COVER SCREWS. COVER SCREWS ARE #4-40 x 1/2" LG. MACHINE (BLACK)

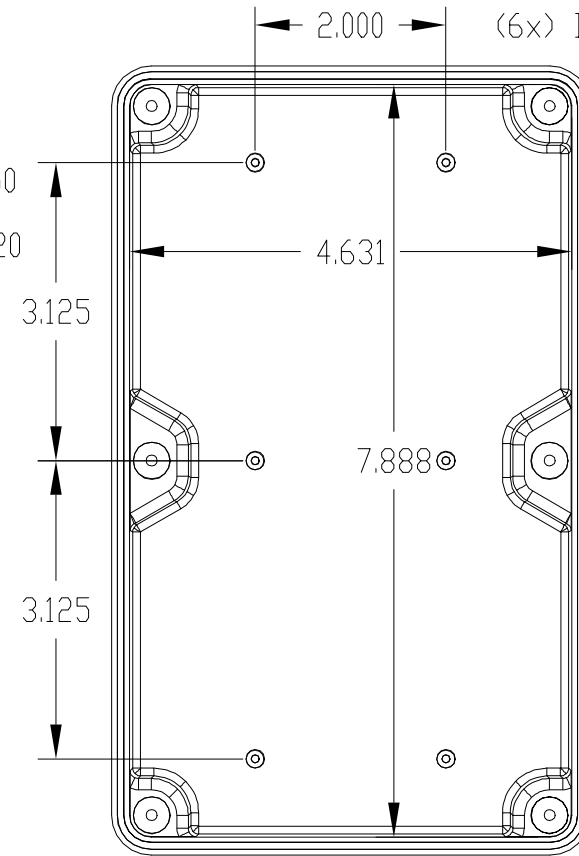
MATERIAL: ENCLOSURE - ABS WITH UL94-5VA FLAMMABILITY RATING
GASKET & O-RINGS - BUNA

FINISH: ENCLOSURE - TEXTURED BLACK
GASKET & O-RINGS - BLACK

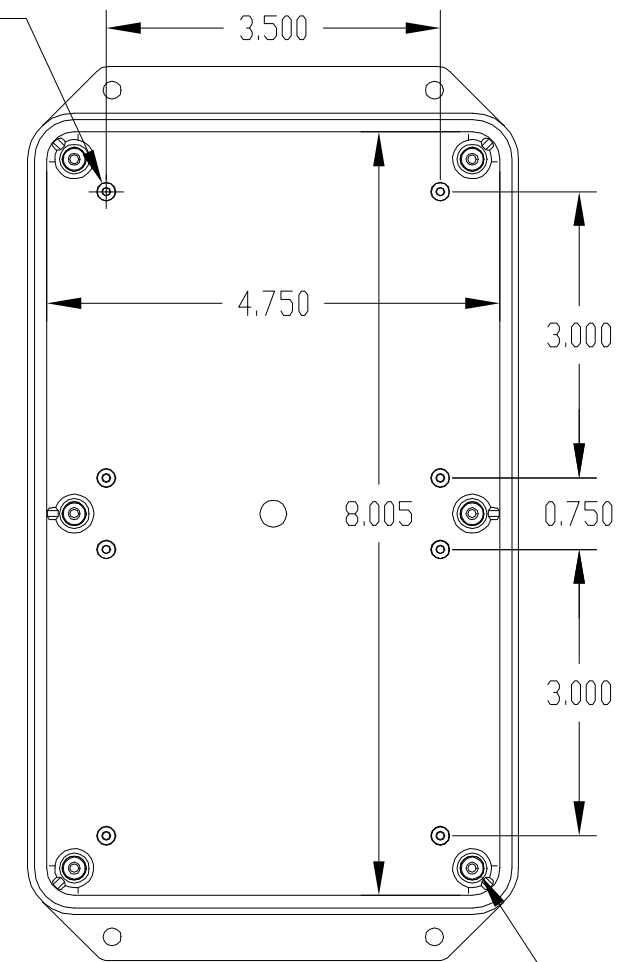


ϕ 0.188 BOSS WITH ϕ 0.090 HOLE (14x) (8x) IN BODY (6x) IN COVER

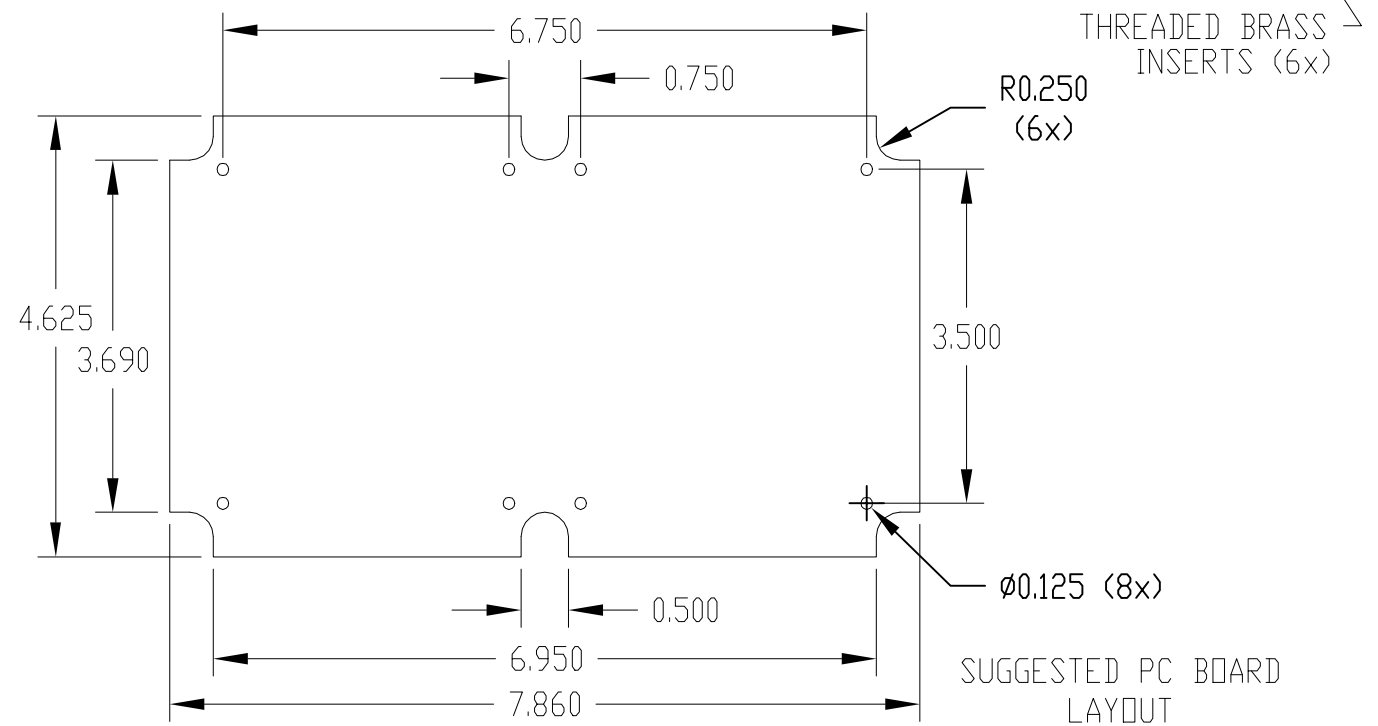
NOTE: MOUNTING BOSSES USE #4 x 1/4 LG. SELF-TAPPING SCREWS (NOT SUPPLIED)



INSIDE VIEW OF COVER



INSIDE VIEW OF BODY



SUGGESTED PC BOARD LAYOUT