

PART NAME

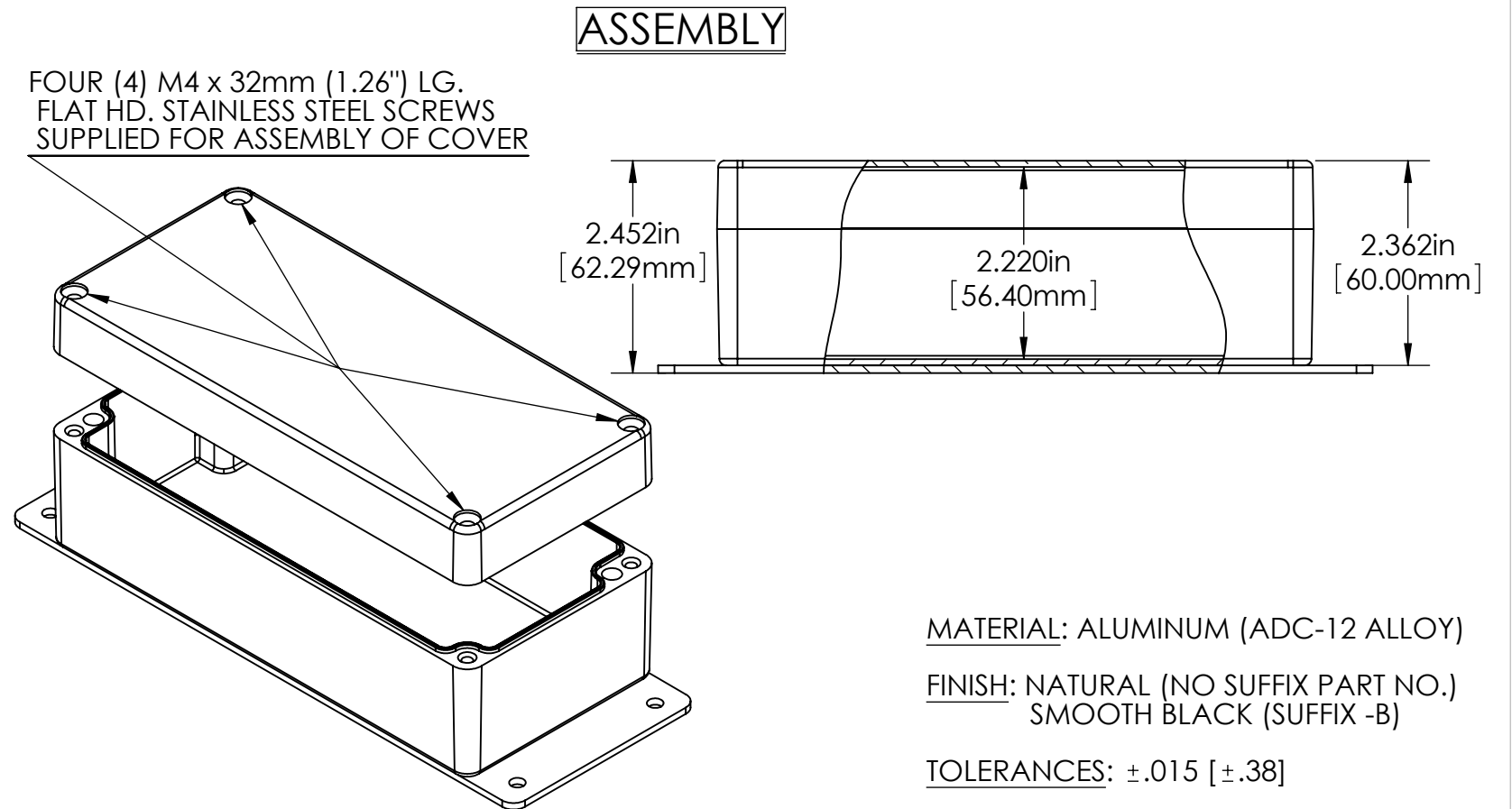
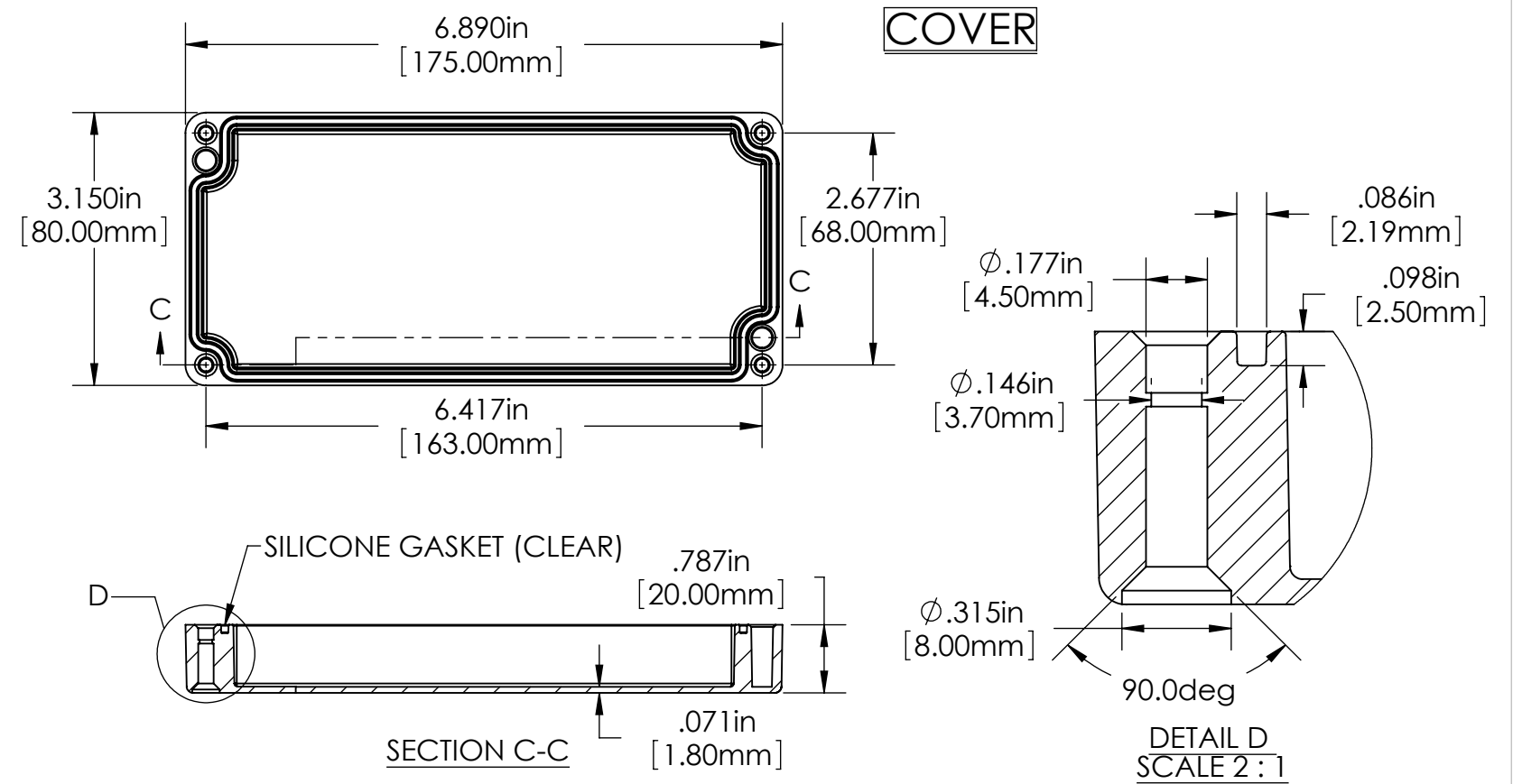
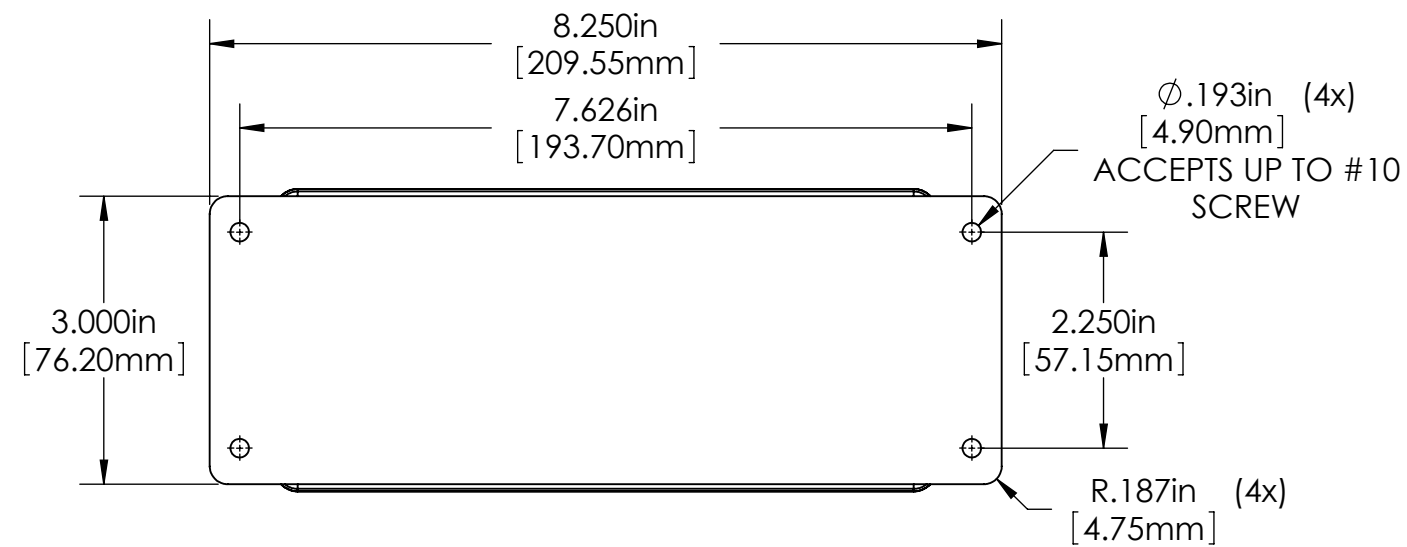
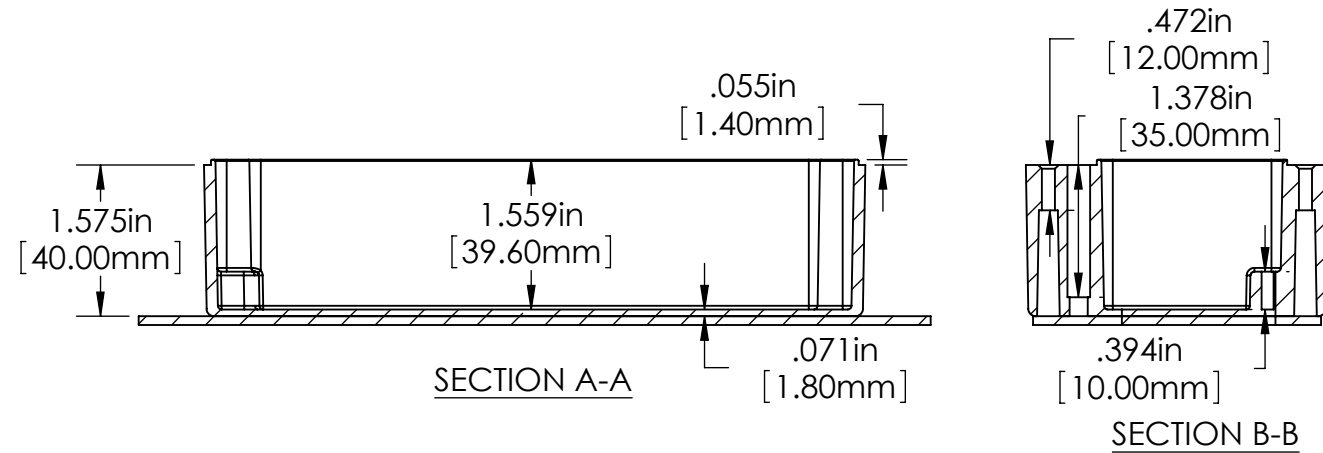
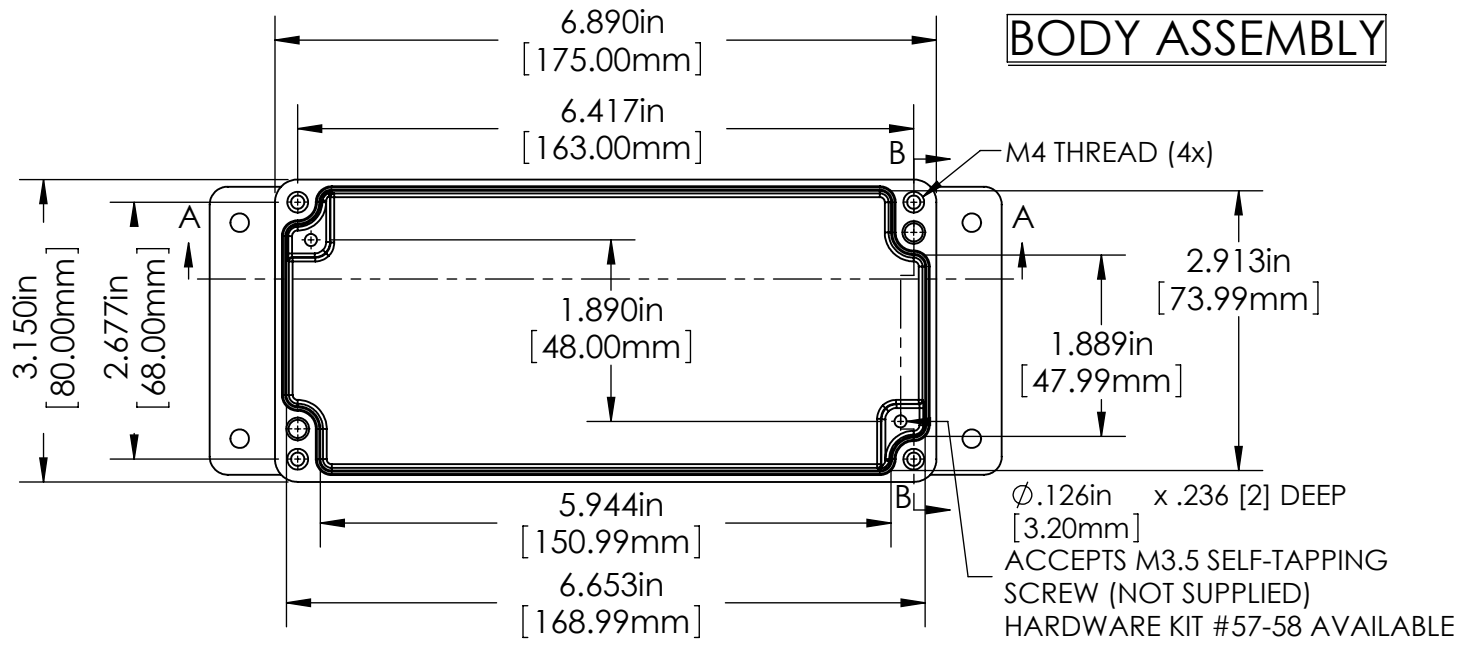
NEMA 4X DIE CAST ALUMINUM ENCLOSURE

PART No.

AN-2821

AN-2821-B

REVISION DATE 8/17/2010



MATERIAL: ALUMINUM (ADC-12 ALLOY)
FINISH: NATURAL (NO SUFFIX PART NO.)
SMOOTH BLACK (SUFFIX -B)
TOLERANCES: ±.015 [±.38]