

PART NAME

NEMA 4X PLASTIC BOX w/EXTERNAL MTG. BRKT.

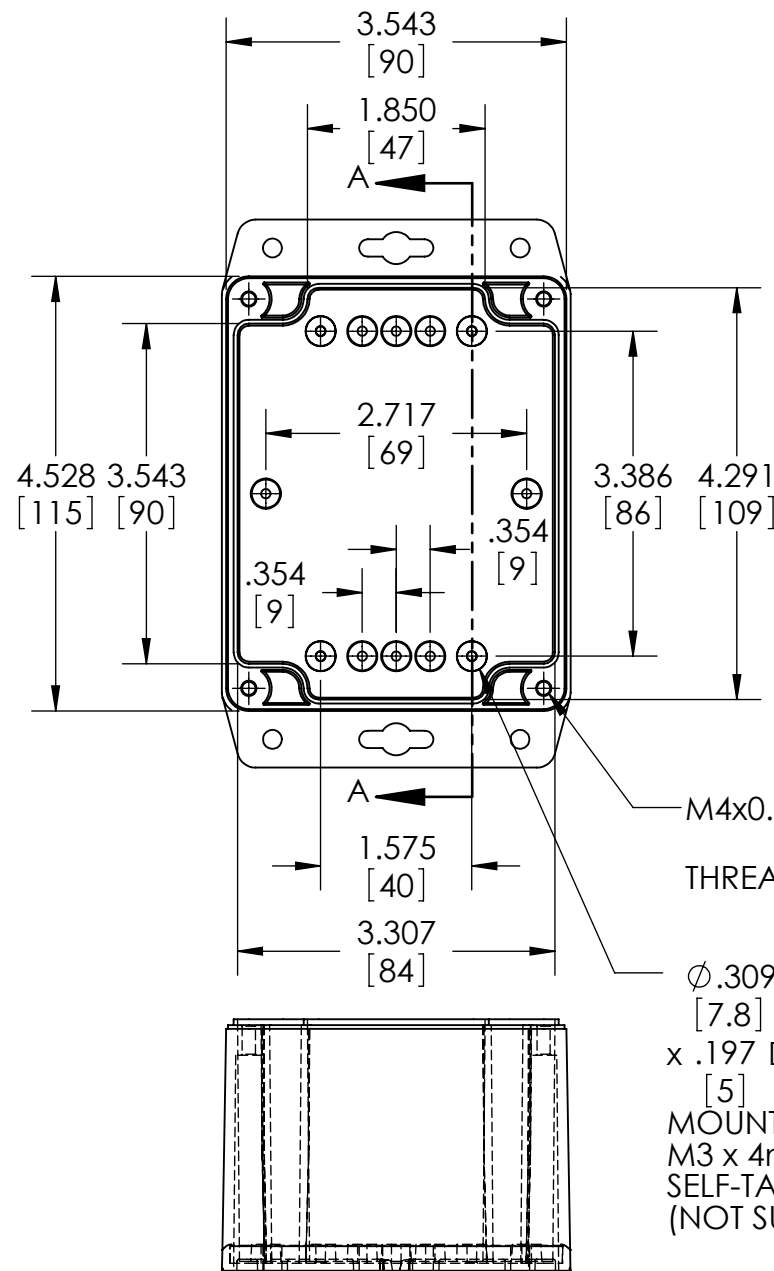
PART No.

PN-1328-MB PN-1328-CMB PN-1328-DGMB

REVISION DATE

5-26-11

MATERIAL & FINISH:
(-MB SUFFIX PART NO.) POLYCARBONATE UL94-HB, UV STABILIZED, SERVICE TEMPERATURE RANGE: -40°C TO +120°C, LIGHT GRAY BODY & COVER.
(-CMB SUFFIX PART NO.) SAME AS -MB EXCEPT CLEAR COVER.
(-DGMB SUFFIX PART NO.) ABS UL94-HB, SERVICE TEMPERATURE RANGE: -40°C TO +80°C, DARK GRAY BODY & COVER.

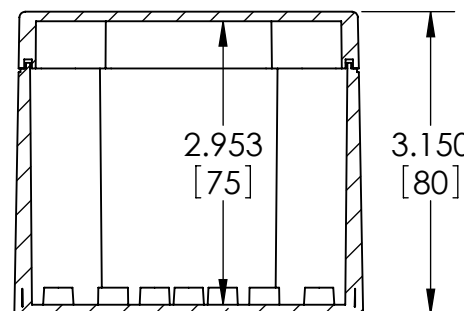


M4x0.7 x .315 LG. [8] THREADED BRASS INSERTS (4x)

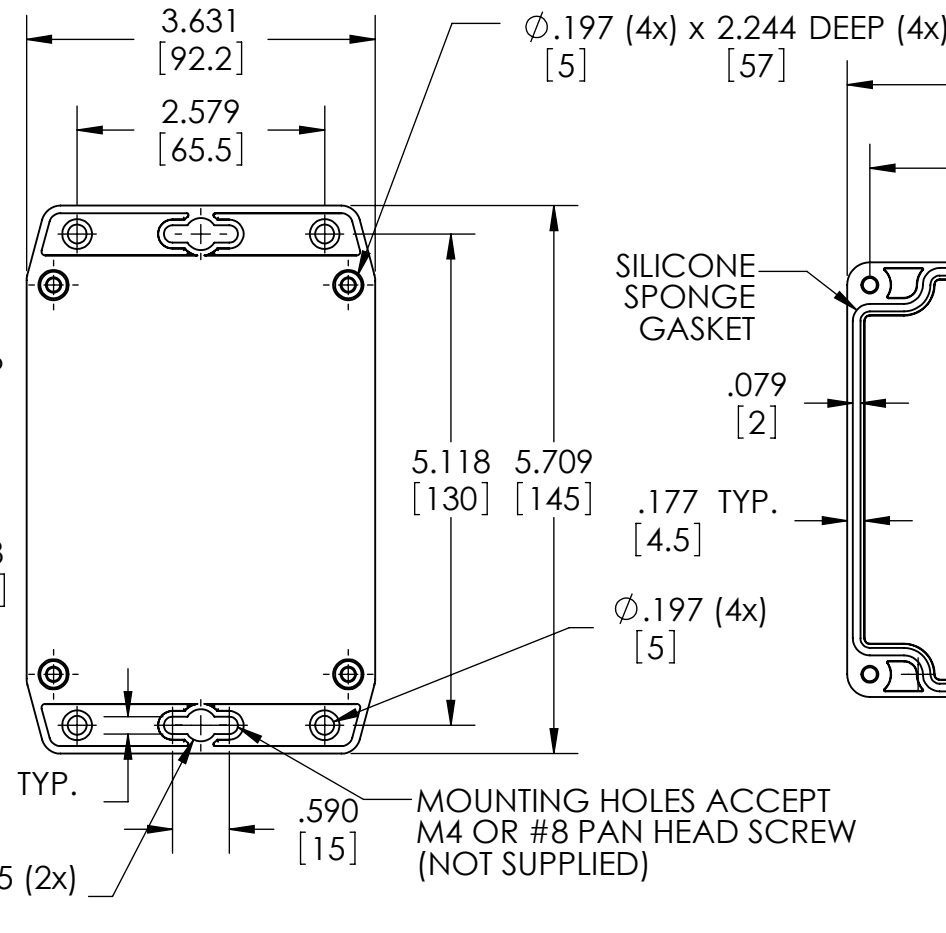
Ø.309 BOSS WITH Ø.098 HOLE [7.8] x .197 DEEP (12x) [5]
MOUNTING BOSSES ACCEPT M3 x 4mm LG. OR #4 x 3/16" LG. SELF-TAPPING SCREWS (NOT SUPPLIED)

SECTION A-A

BODY

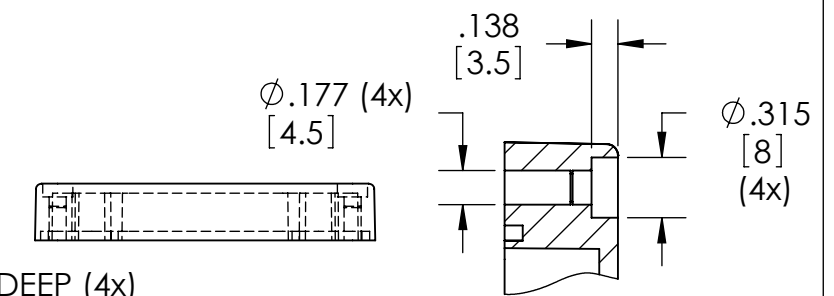


- NOTES:
- 1.) FOUR (4) M4x0.7 x 20mm (.787") LG. STAINLESS STEEL SCREWS SUPPLIED FOR ASSEMBLY OF COVER TO BODY.
 - 2.) BOXES DESIGNED TO MEET FOLLOWING STANDARDS: NEMA 1, 2, 4, 4X, 12, 13 AND IEC529-IP65 REQUIREMENTS.
 - 3.) ALL HOLE DIAMETERS HAVE ±.005[.12] TOLERANCE. ALL OTHER DIMENSIONS HAVE ±.015[.38] TOLERANCE.
 - 4.) ALL OUTSIDE DRAFT ANGLE: 1° ALL INSIDE DRAFT ANGLE: 1/2°

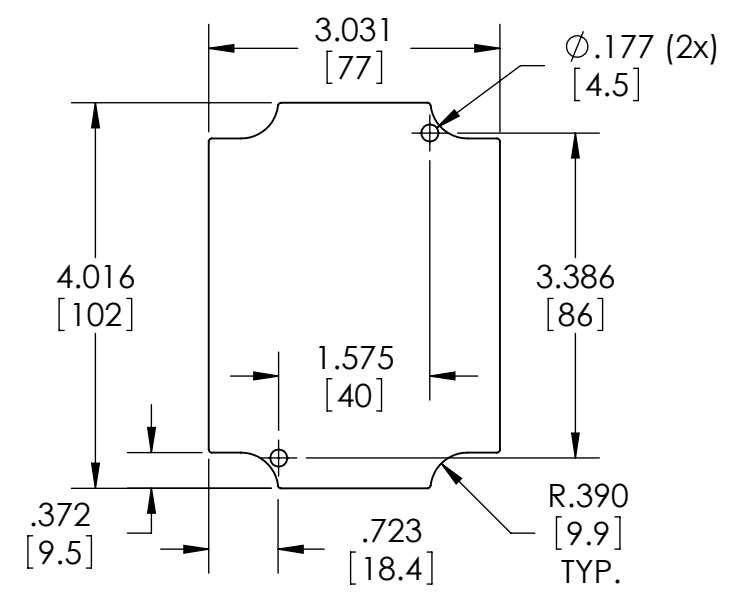
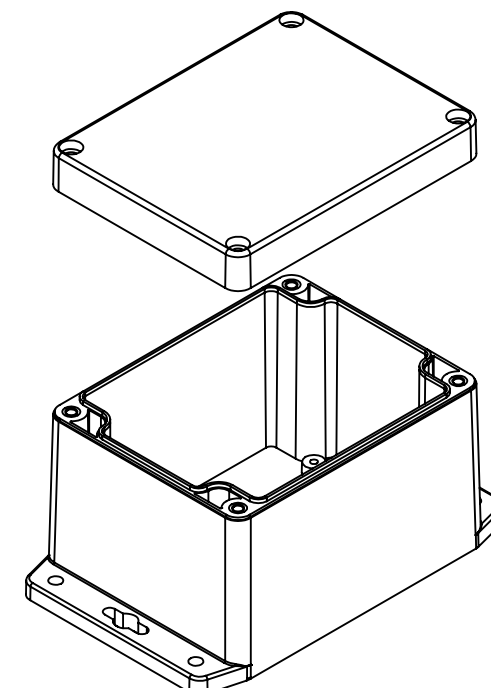
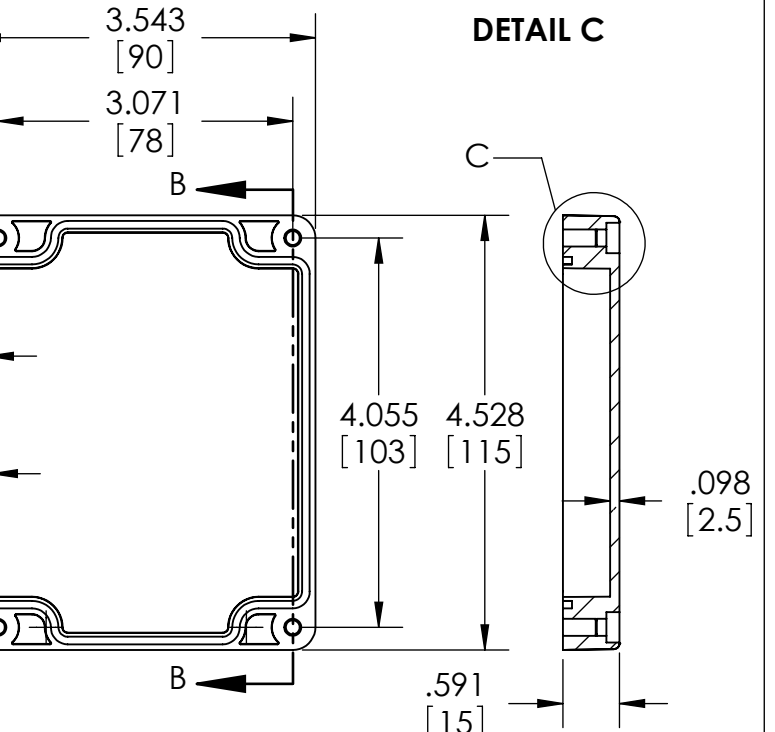


COVER

SECTION B-B



DETAIL C



SUGGESTED PC BOARD LAYOUT