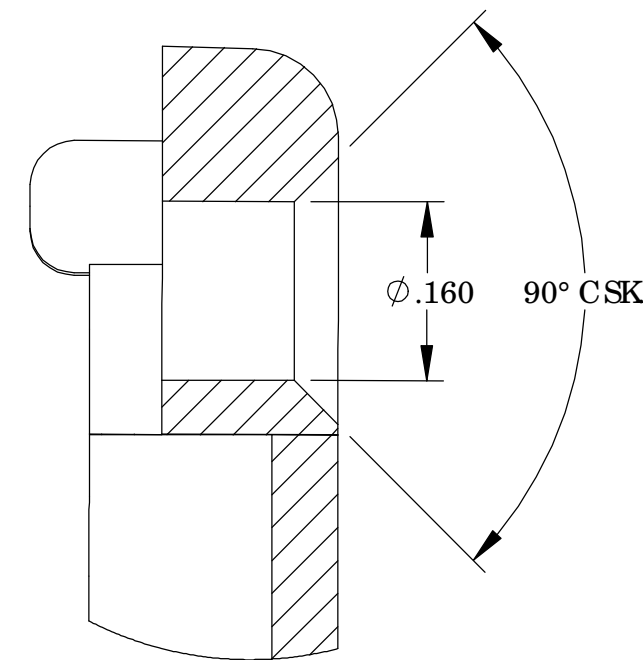
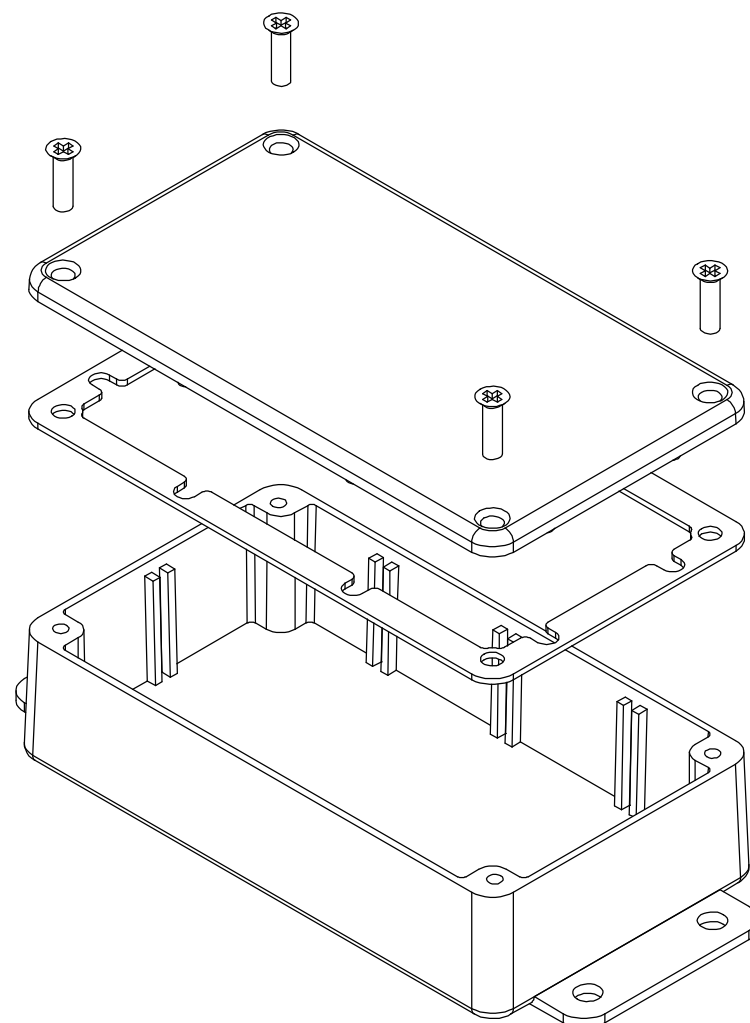


THE INFORMATION CONTAINED IN THIS DRAWING IS THE SOLE PROPERTY OF BUD INDUSTRIES INC. ANY REPRODUCTION IN PART OR WHOLE WITHOUT THE WRITTEN PERMISSION OF BUD INDUSTRIES INC. IS PROHIBITED.

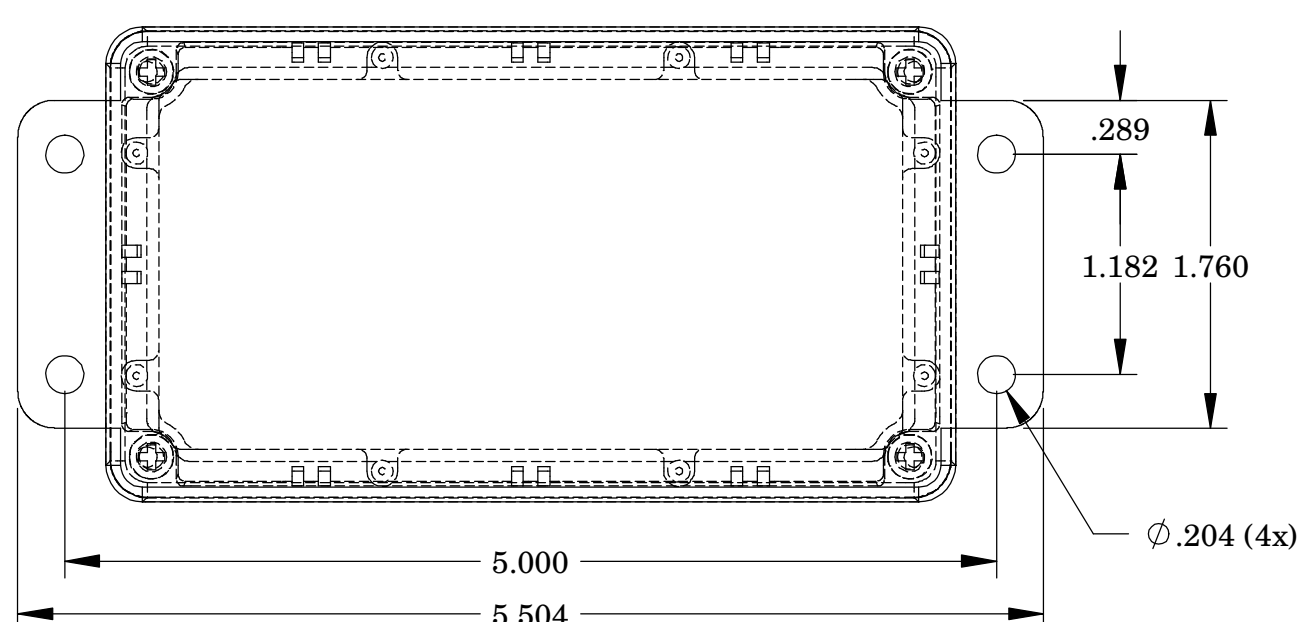
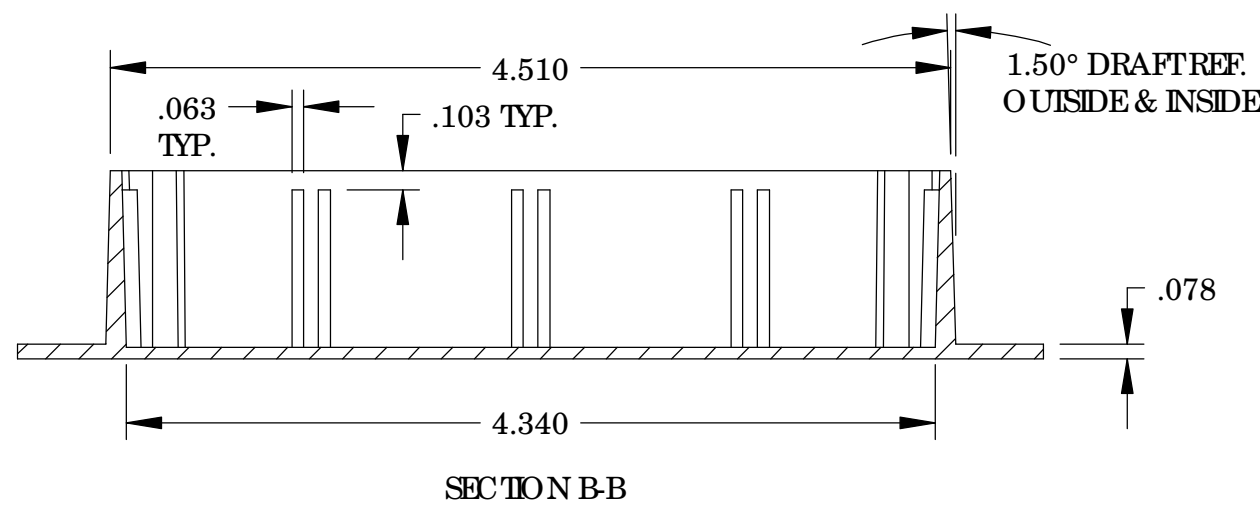
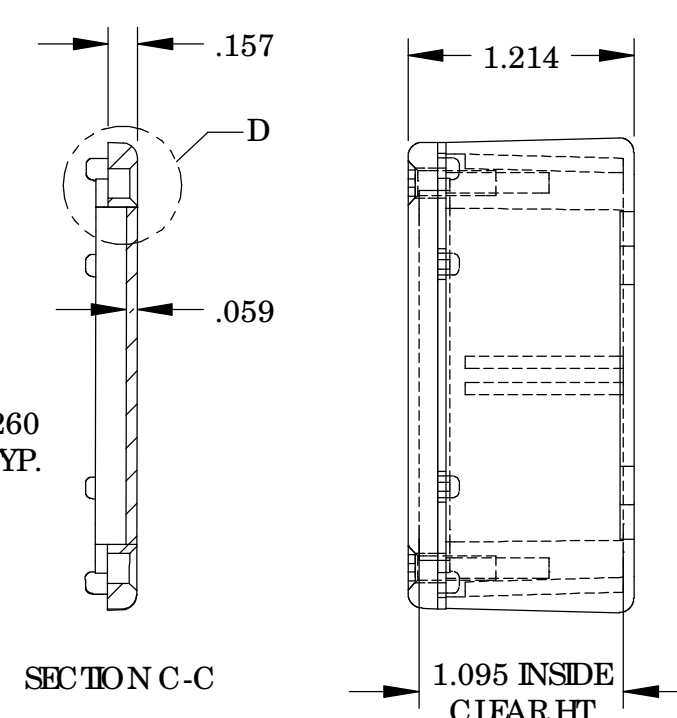
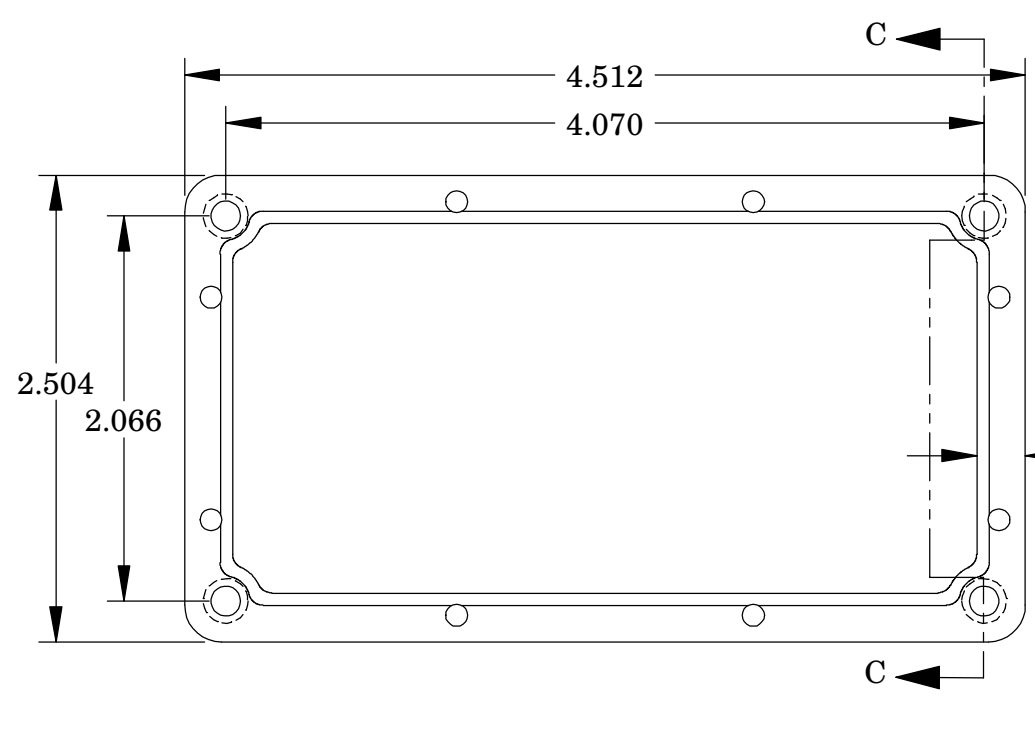
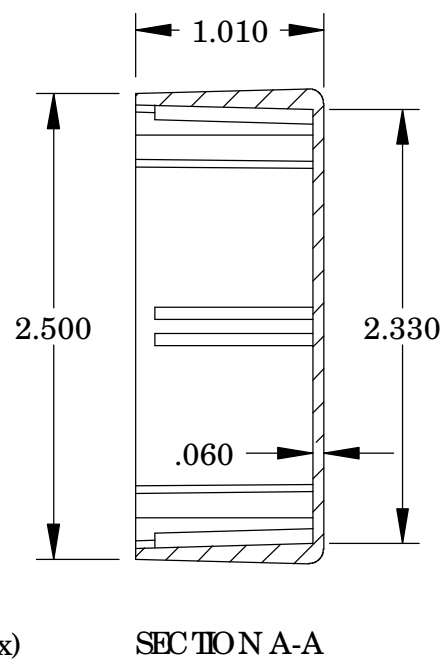
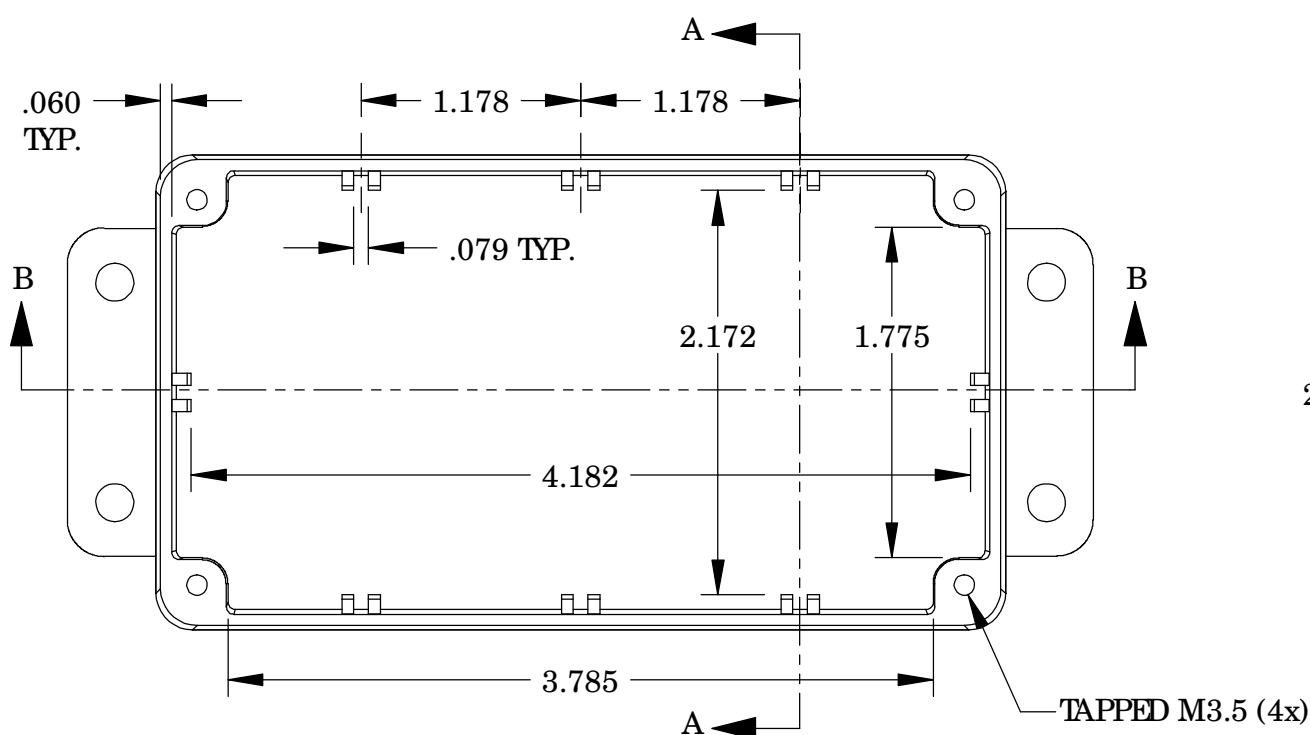
| | |
|----------|-----------|
| DWG. NO. | CN-6703 |
| ISSUE | REVISIONS |
| | |

MATERIAL- ALUMINUM ALLOY # ADC-12
 FINISH - NATURAL (CONTACT BUD FACTORY FOR ALTERNATE FINISHES)
 GASKET- RATED IP65 NEO PRENE, SELF-ADHESIVE, 3mm THICK, COLOR BLACK
 SCREWS - STAINLESS STEEL, M3.5 x 12mm LG., C/SK HEAD, SELF-THREADING

ALL HOLE DIAMETERS HAVE ±.005 TOLERANCE
 ALL OTHER DIMENSIONS HAVE ±.015 TOLERANCE
 ENCLOSURES ARE SHIPPED UNASSEMBLED WITH ALL ITEMS SHOWN.



DETAIL D
 SCALE 6:1



BODY

COVER

| | | | |
|----------------------------------|---|-----------------------------|--------------|
| PARIS LIST | | BUD INDUSTRIES INC. | |
| ±.005 BETWEEN HOLE CENTERS | CAD GENERATED DRAWING, DO NOT MANUALLY UPDATE | DIE CAST ALUMINUM ENCLOSURE | |
| ±.015 FROM SHEARED EDGE | | APPROVALS | DATE |
| ±.032 FROM A BENT SURFACE | | DRAWN | 4-3-06 |
| ±.062 BETWEEN ASSEMBLED SURFACES | | CHECKED | |
| UNLESS OTHERWISE SPECIFIED | | APPROVED | |
| MATERIAL | | | |
| AS NOTED | | | |
| AS NOTED | | | |
| QTY. | USED ON | DWG. NO. | REV. |
| | | CN-6703 | |
| | | SCALE | CAD FILE |
| | | | SHEET 1 OF 1 |