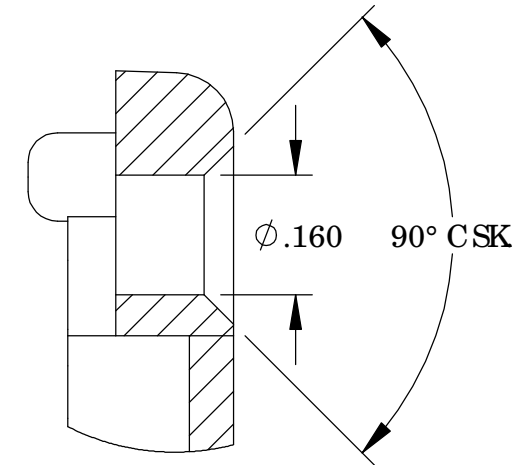


THE INFORMATION CONTAINED IN THIS DRAWING IS THE SOLE PROPERTY OF BUD INDUSTRIES INC. ANY REPRODUCTION IN PART OR WHOLE WITHOUT THE WRITTEN PERMISSION OF BUD INDUSTRIES INC. IS PROHIBITED.

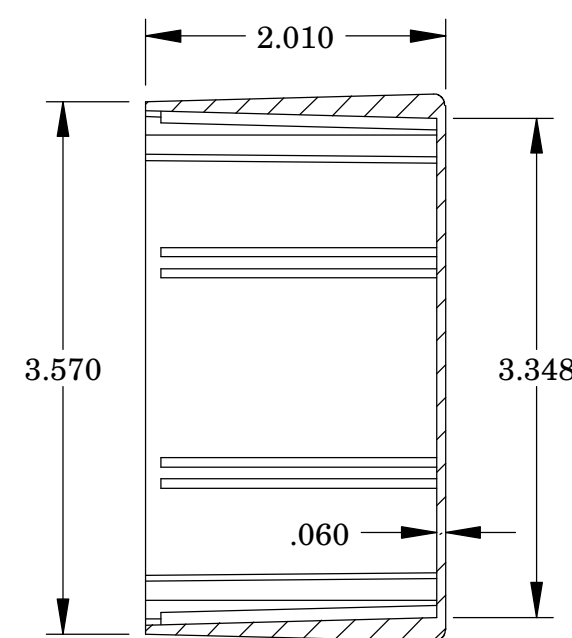
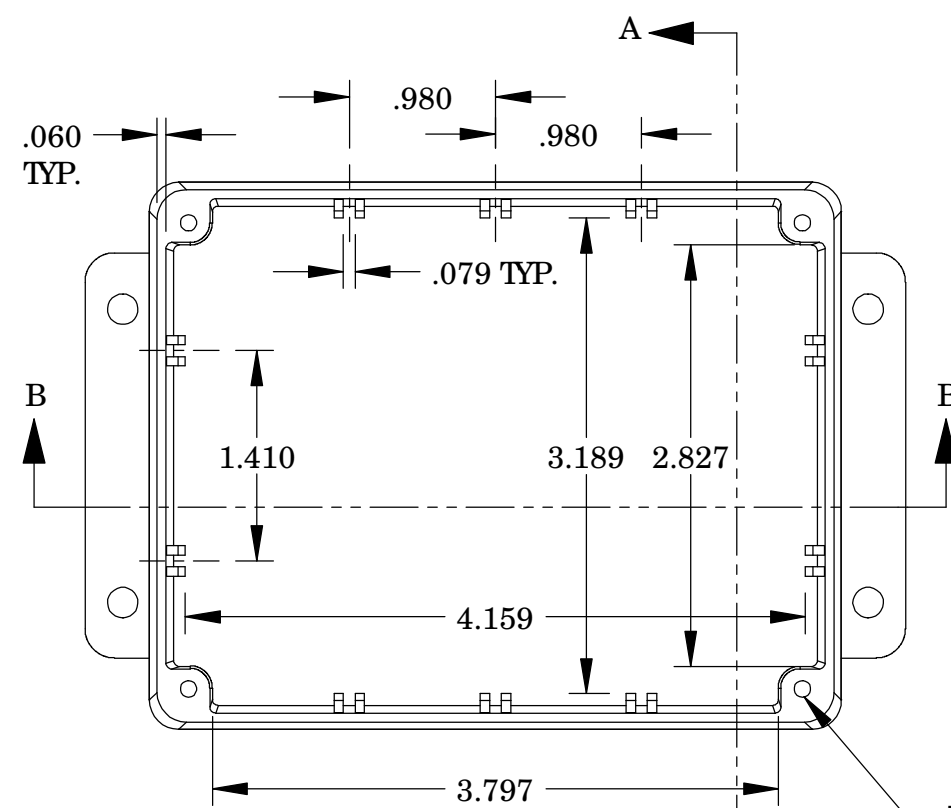
MATERIAL- ALUMINUM ALLOY # ADC-12
 FINISH - NATURAL (CONTACT BUD FACTORY FOR ALTERNATE FINISHES)
 GASKET- RATED IP65 NEO PRENE, SELF-ADHESIVE, 3mm THICK, COLOR BLACK
 SCREWS - STAINLESS STEEL, M3.5 x 12mm LG., CSK HEAD, SELF-THREADING

ALL HOLE DIAMETERS HAVE ±.005 TOLERANCE
 ALL OTHER DIMENSIONS HAVE ±.015 TOLERANCE
 ENCLOSURES ARE SHIPPED UNASSEMBLED WITH ALL ITEMS SHOWN.

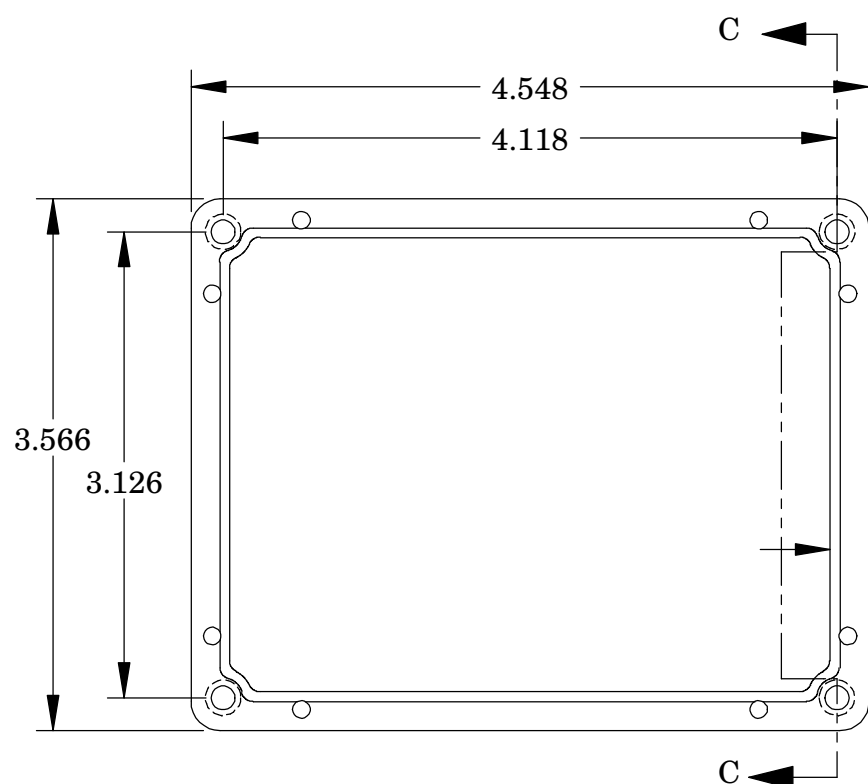
DWG. NO. CN-6705
 ISSUE REVISIONS



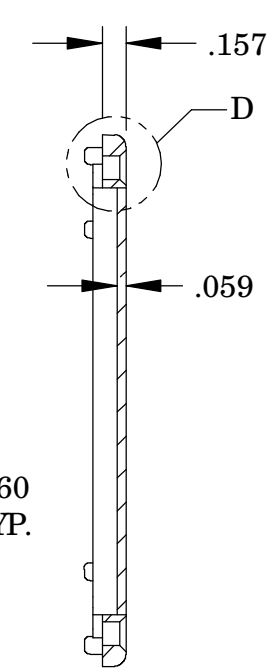
DETAIL D
 SCALE 4:1



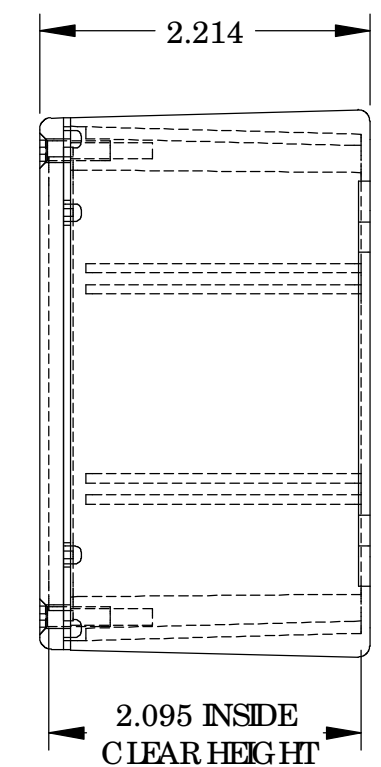
SECTION A-A



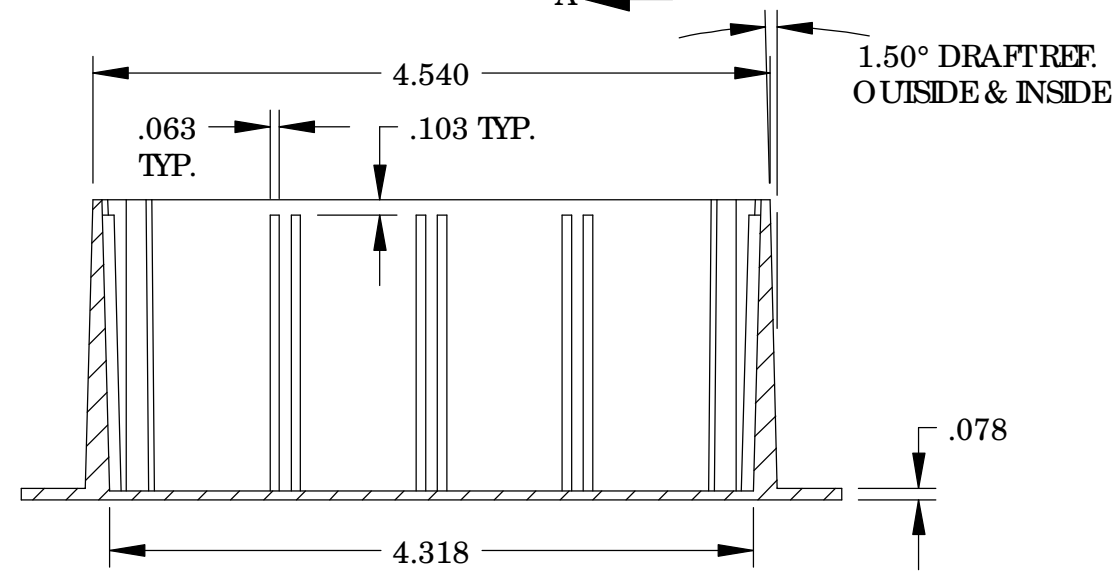
COVER



SECTION C-C



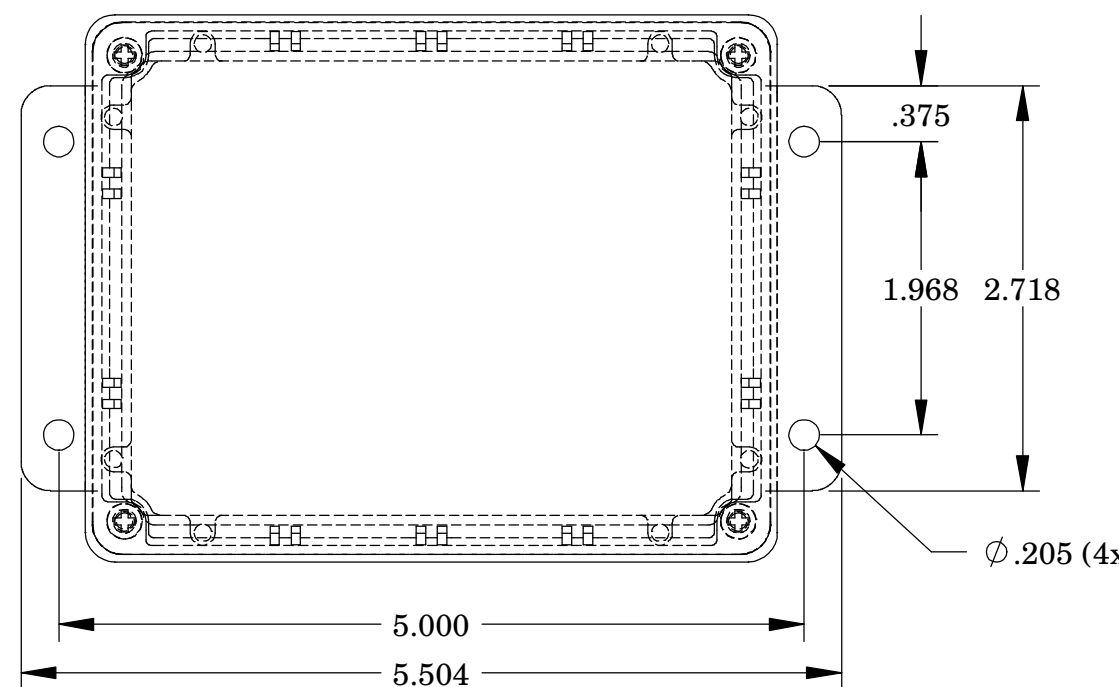
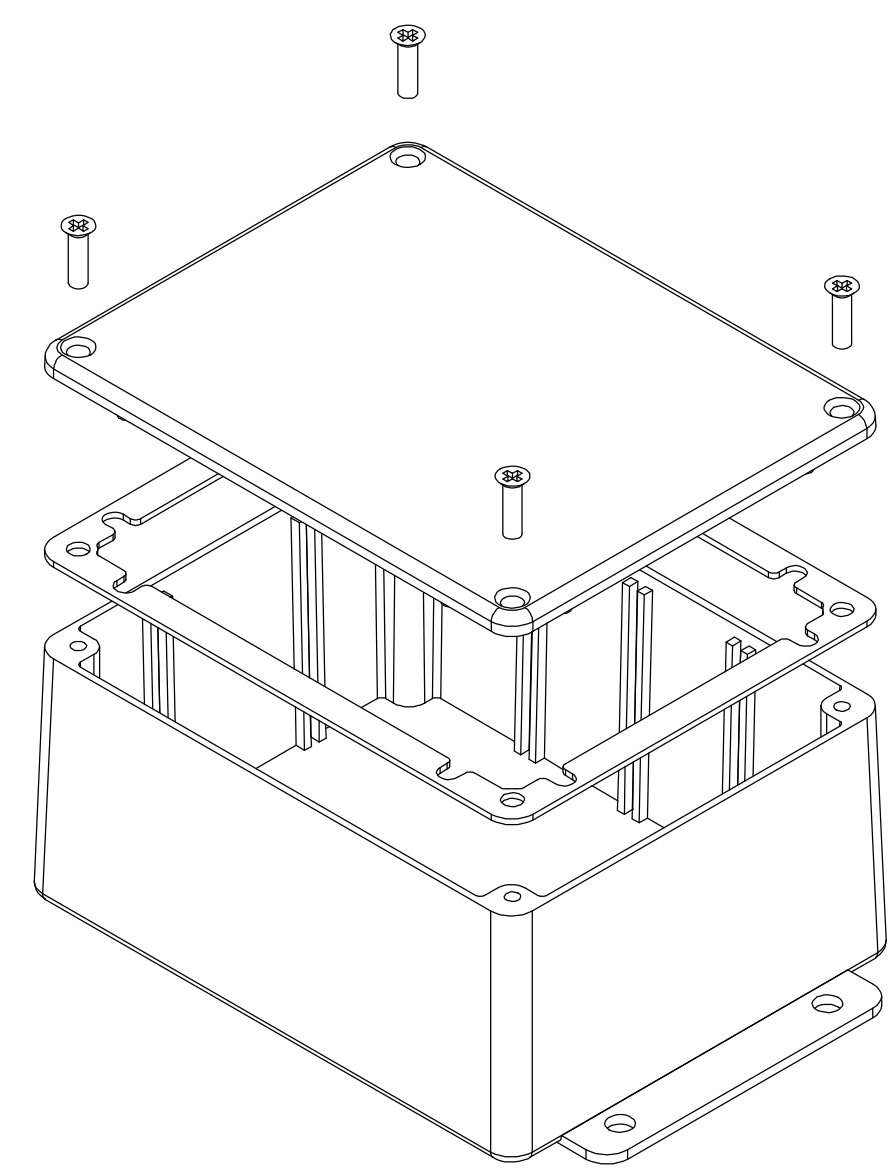
2.095 INSIDE CLEAR HEIGHT



SECTION B-B

1.50° DRAFT REF. OUTSIDE & INSIDE

BODY



PARTS LIST		CAD GENERATED DRAWING, DO NOT MANUALLY UPDATE		BUD INDUSTRIES INC.	
APPROVALS	DATE	DIE CAST ALUMINUM ENCLOSURE			
DRAWN	CHECKED				
DAB	4-3-06	DWG. NO. CN-6705			
AS NOTED		DO NOT SCALE DRAWING		SCALE	SHEET 1 OF 1
QTY.	USED ON	DO NOT SCALE DRAWING		CAD FILE	REV.