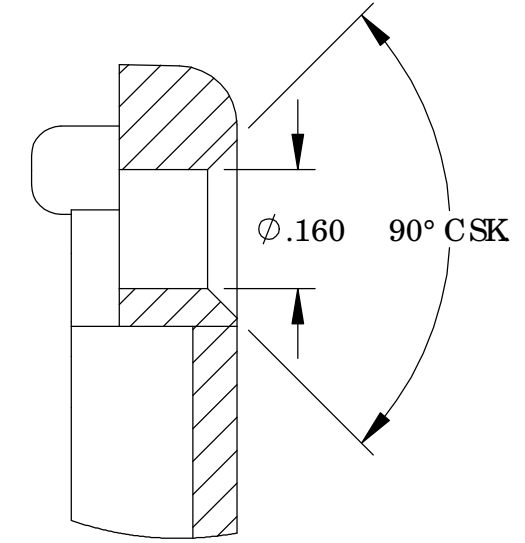


THE INFORMATION CONTAINED IN THIS DRAWING IS THE SOLE PROPERTY OF BUD INDUSTRIES INC. ANY REPRODUCTION IN PART OR WHOLE WITHOUT THE WRITTEN PERMISSION OF BUD INDUSTRIES INC. IS PROHIBITED.

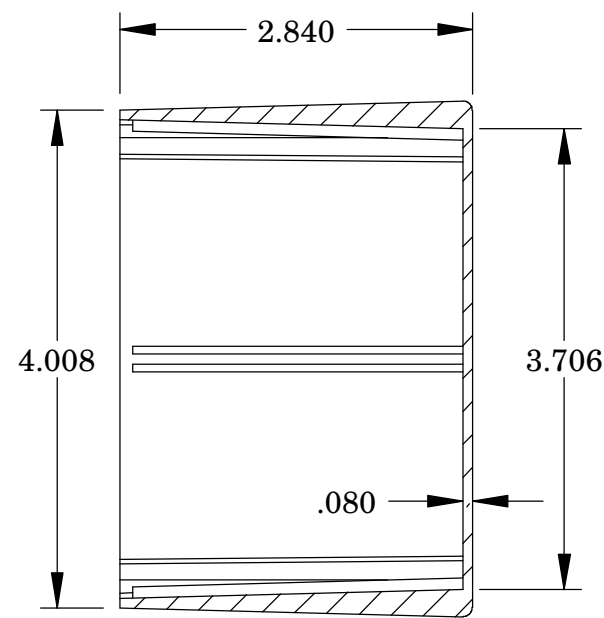
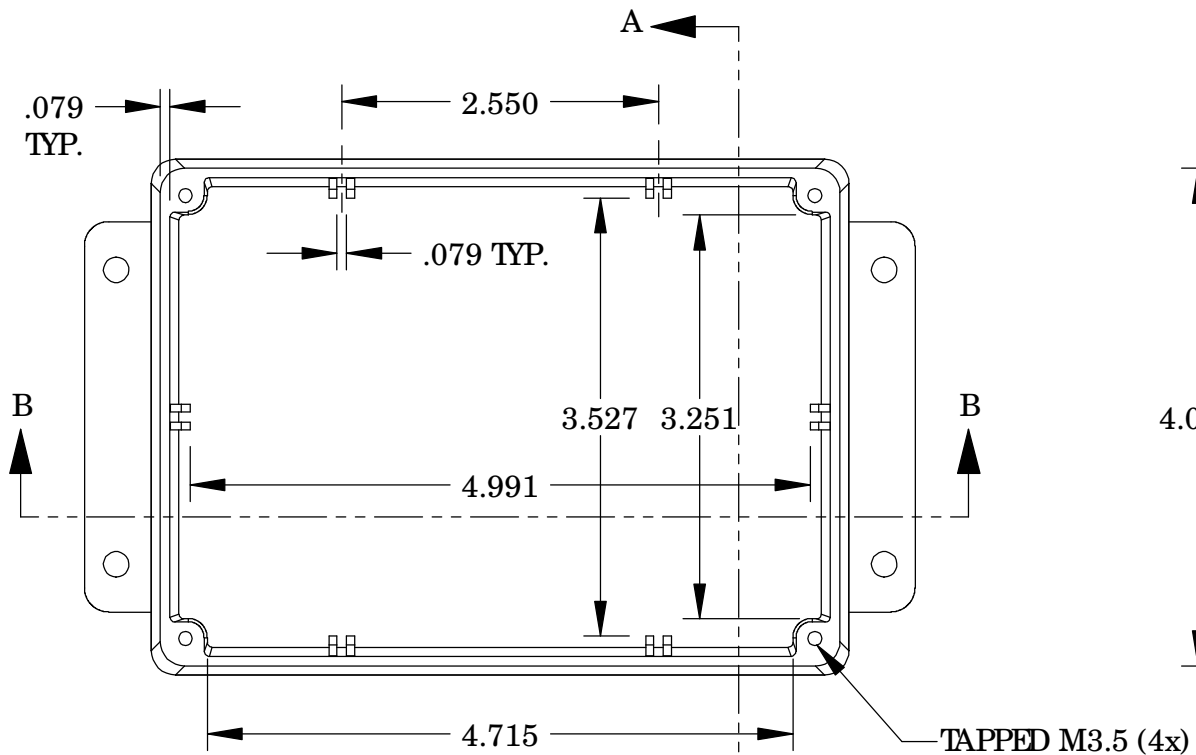
DWG. NO.	CN-6707
ISSUE	REVISIONS

MATERIAL- ALUMINUM ALLOY # ADC-12
 FINISH - NATURAL (CONTACT BUD FACTORY FOR ALTERNATE FINISHES)
 GASKET - RATED IP65 NEOPRENE, SELF-ADHESIVE, 3mm THICK, COLOR BLACK
 SCREWS - STAINLESS STEEL, M3.5 x 12mm LG., C SK HEAD, SELF-THREADING

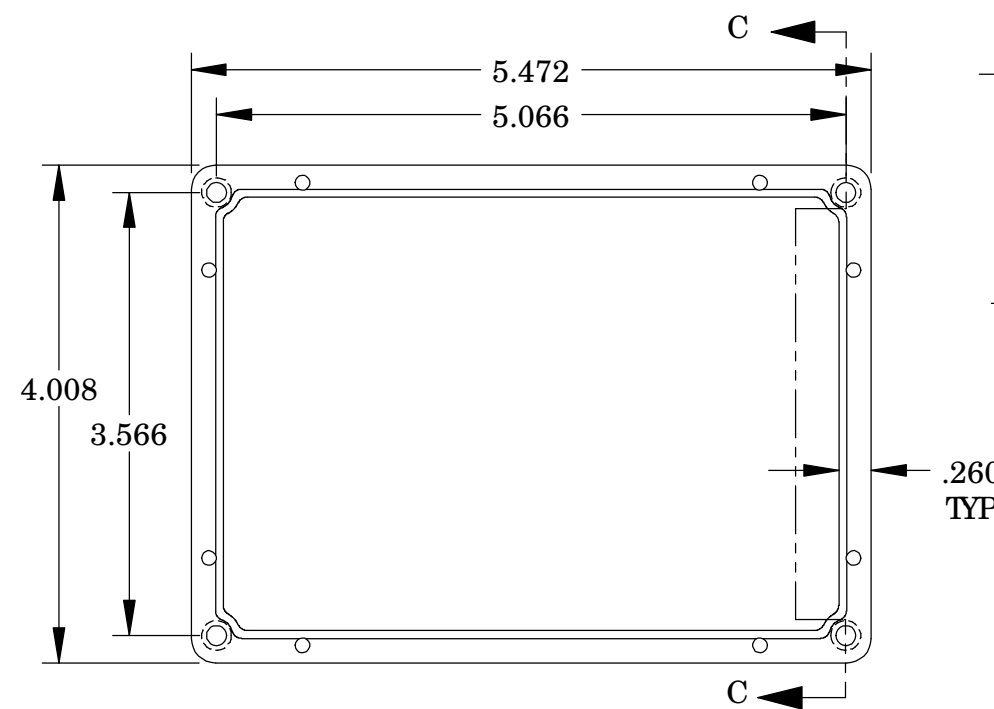
ALL HOLE DIAMETERS HAVE ±.005 TOLERANCE
 ALL OTHER DIMENSIONS HAVE ±.015 TOLERANCE
 ENCLOSURES ARE SHIPPED UNASSEMBLED WITH ALL ITEMS SHOWN.



DETAIL D
SCALE 4 : 1

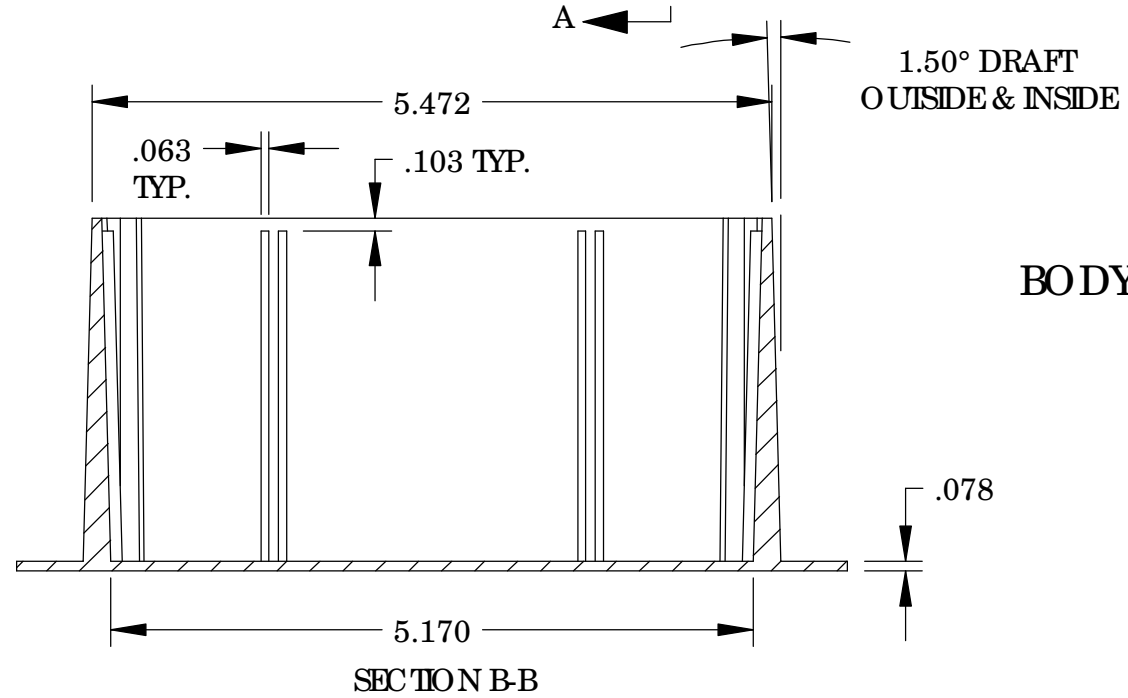


SECTION A-A



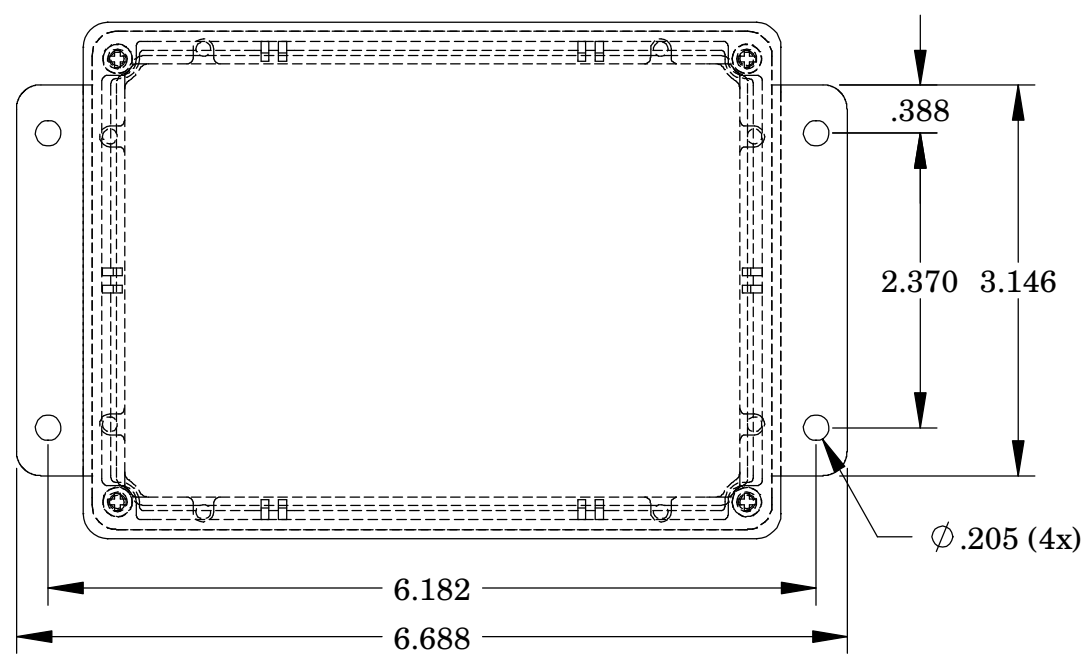
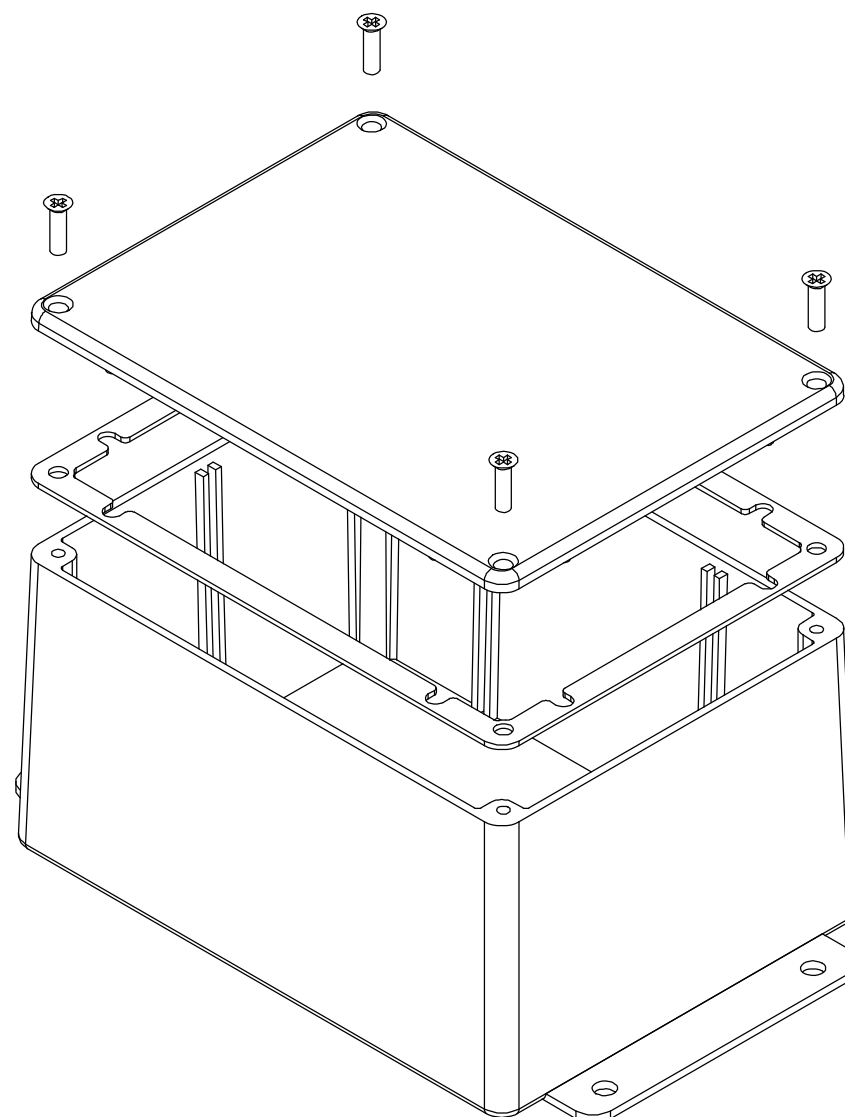
SECTION C-C

COVER



SECTION B-B

BODY



PARTS LIST			
±.005 BETWEEN HOLE CENTERS	CAD GENERATED DRAWING, DO NOT MANUALLY UPDATE		
±.015 FROM SHEARED EDGE	DO NOT MANUALLY UPDATE		
±.032 FROM A BENT SURFACE	BUD INDUSTRIES INC.		
±.062 BETWEEN ASSEMBLED SURFACES	APPROVALS	DATE	DIE CAST ALUMINUM ENCLOSURE
UNLESS OTHERWISE SPECIFIED	DRAWN	4-3-06	
MATERIAL	CHECKED		
FINISH	APPROVED		
AS NOTED			DWG. NO. CN-6707
AS NOTED			REV.
QTY.	USED ON	DO NOT SCALE DRAWING	SCALE CAD FILE
			SHEET 1 OF 1