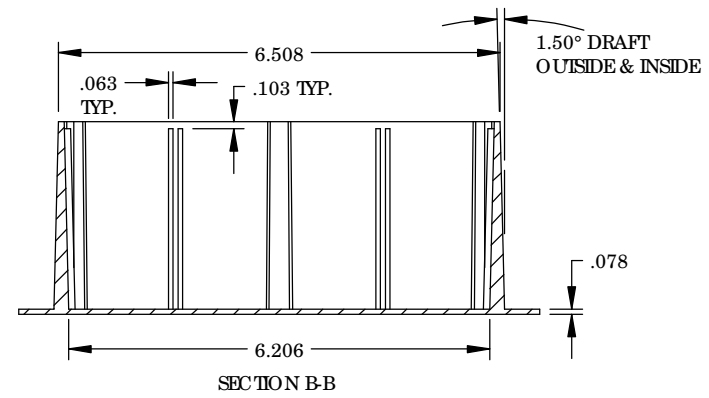
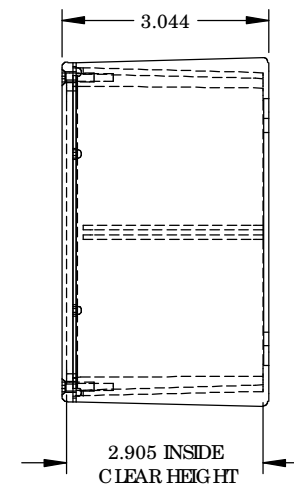
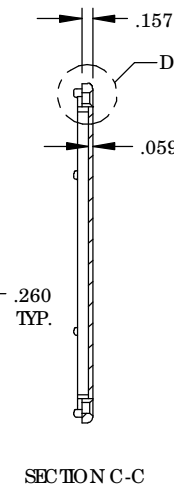
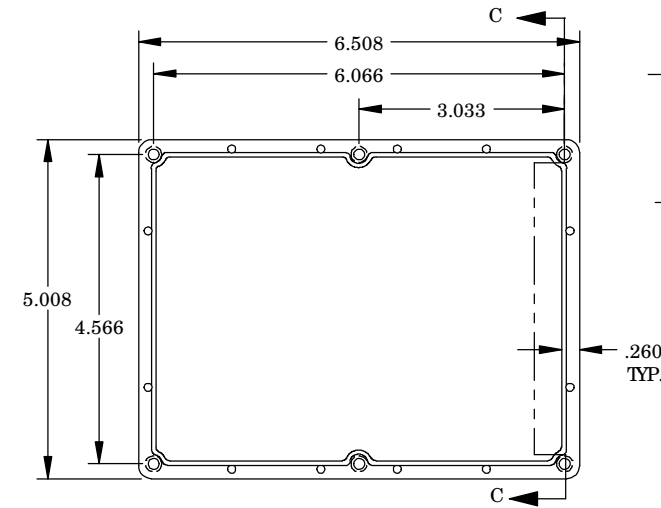
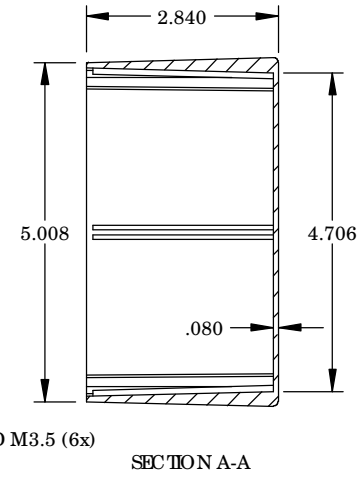
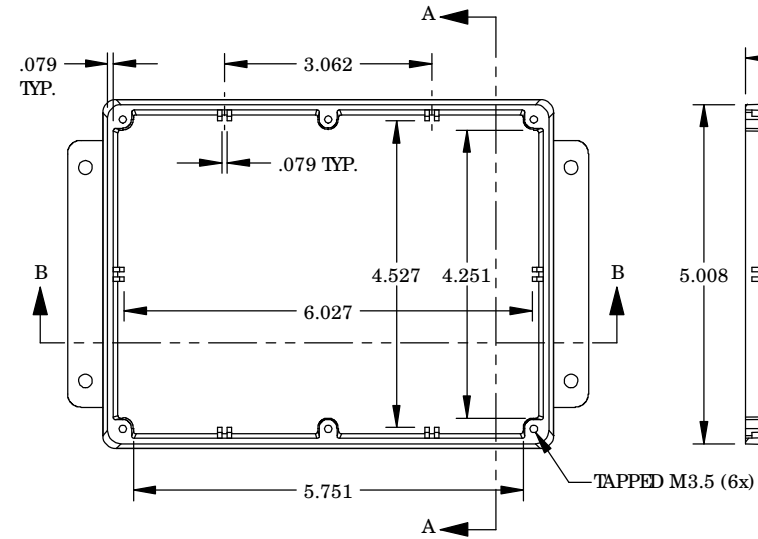
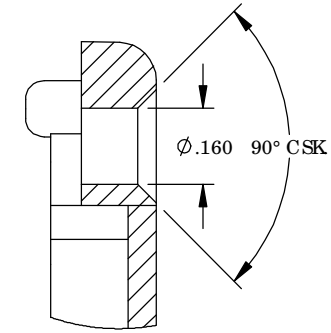


THE INFORMATION CONTAINED IN THIS DRAWING IS THE SOLE PROPERTY OF BUD INDUSTRIES INC. ANY REPRODUCTION IN PART OR WHOLE WITHOUT THE WRITTEN PERMISSION OF BUD INDUSTRIES INC. IS PROHIBITED.

MATERIAL - ALUMINUM ALLOY # ADC-12
 FINISH - NATURAL (CONTACT BUD FACTORY FOR ALTERNATE FINISHES)
 GASKET - RATED IP65 NEOPRENE, SELF-ADHESIVE, 3mm THICK, COLOR BLACK
 SCREWS - STAINLESS STEEL, M3.5 x 12mm LG., C.SK HEAD, SELF-THREADING

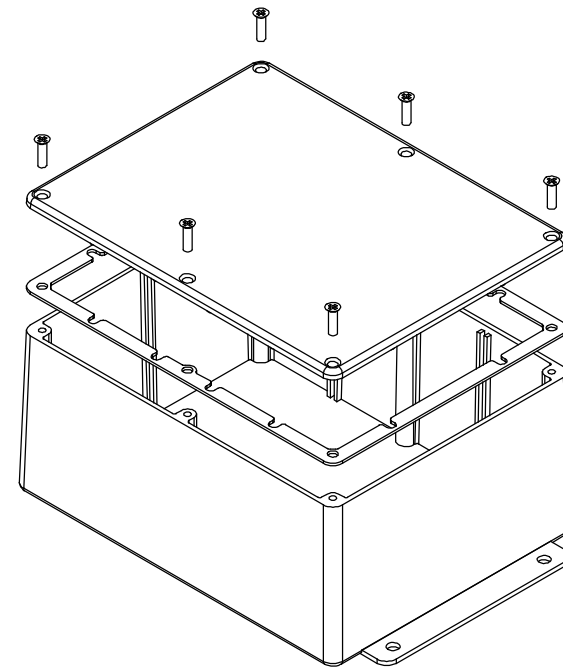
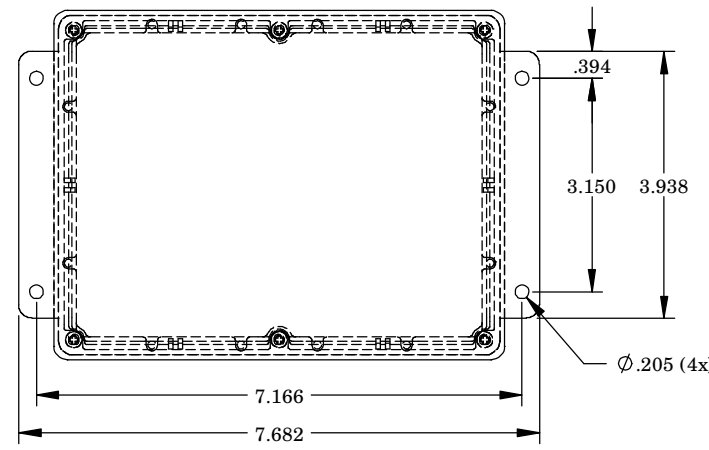
ALL HOLE DIAMETERS HAVE ±.005 TOLERANCE
 ALL OTHER DIMENSIONS HAVE ±.015 TOLERANCE
 ENCLOSURES ARE SHIPPED UNASSEMBLED WITH ALL ITEMS SHOWN.

DRG. NO.	CN-6708
ISSUE	REVISIONS



BODY

COVER



PARTS LIST			
±.005 BETWEEN HOLE CENTERS	CAD GENERATED DRAWING	BUD INDUSTRIES INC.	
±.015 FROM SEARED EDGE	DO NOT MANUALLY UPDATE	DIE CAST ALUMINUM ENCLOSURE	
±.032 FROM A BENT SURFACE	APPROVALS	DATE	
±.062 BETWEEN ASSEMBLED SURFACES	DRAWN	4-3-06	
UNLESS OTHERWISE SPECIFIED	CHECKED		
MATERIAL	AS NOTED		
FINISH	AS NOTED		
QTY.	USED ON	SCALE	DRG. NO.
			CN-6708
			ISS.
			1 OF 1