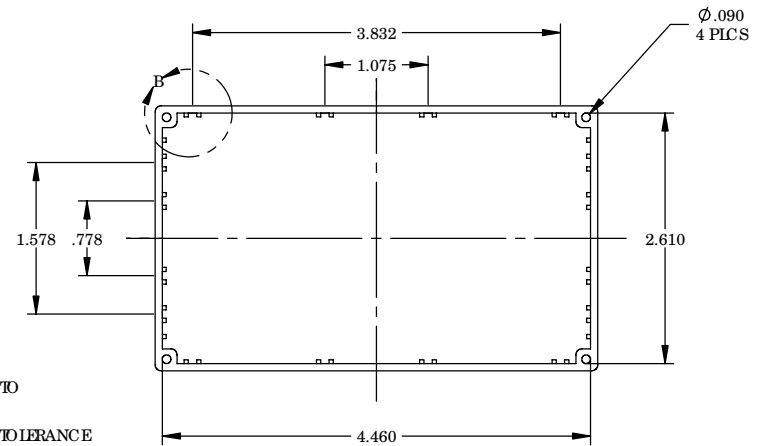
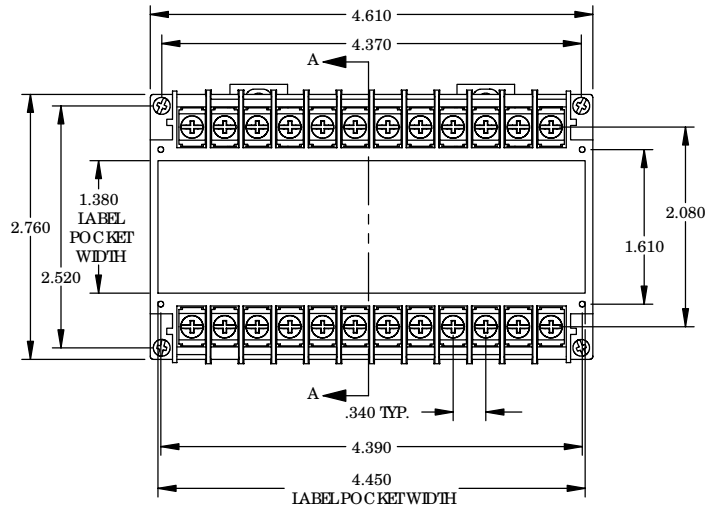
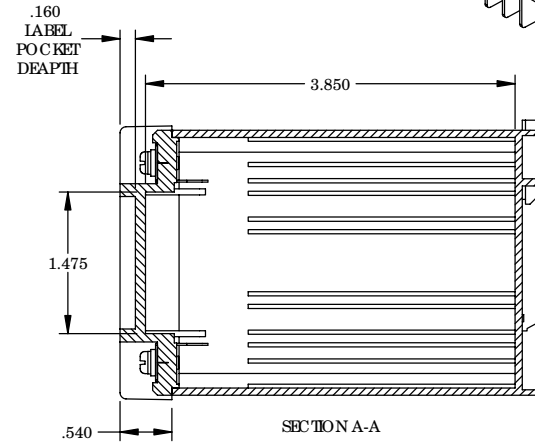
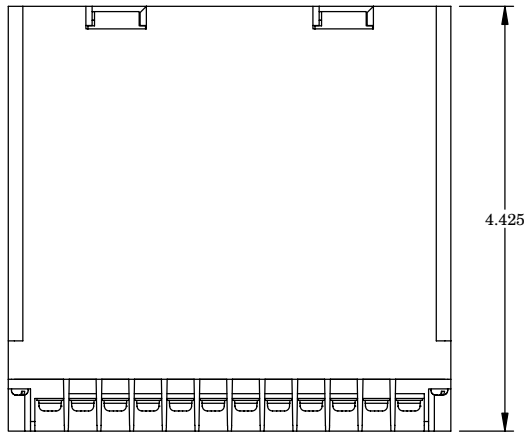
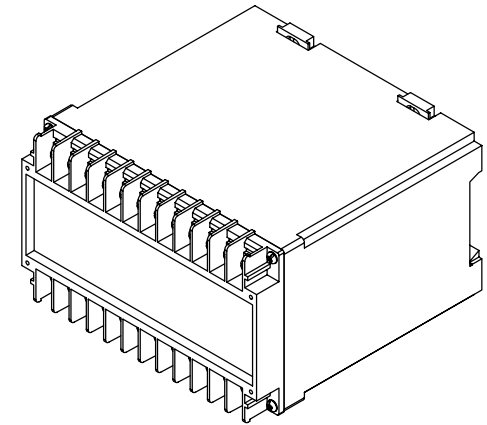
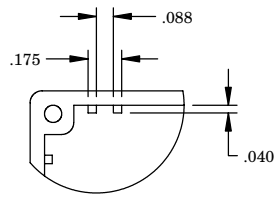


PART NAME

DIN RAIL MOUNT BOX

PART No.

DB-4704



MATERIAL: UL94V-0 ABS PLASTIC
 FINISH: LIGHT GRAY
 FOUR (4) M3 SCREWS SUPPLIED TO ATTACH FRONT PANEL
 ALL DIMENSIONS HAVE A ±0.15 TOLERANCE UNLESS OTHERWISE SPECIFIED
 ALL CONTACTS ARE TIN PLATED BRASS RATED AT 10 AMPS