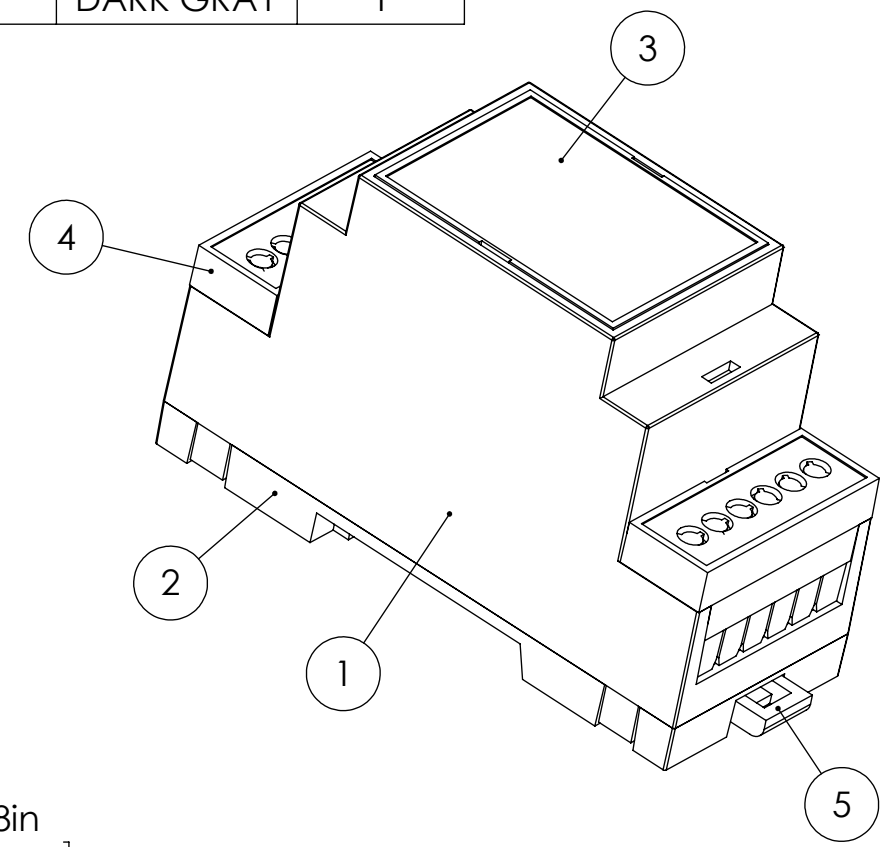
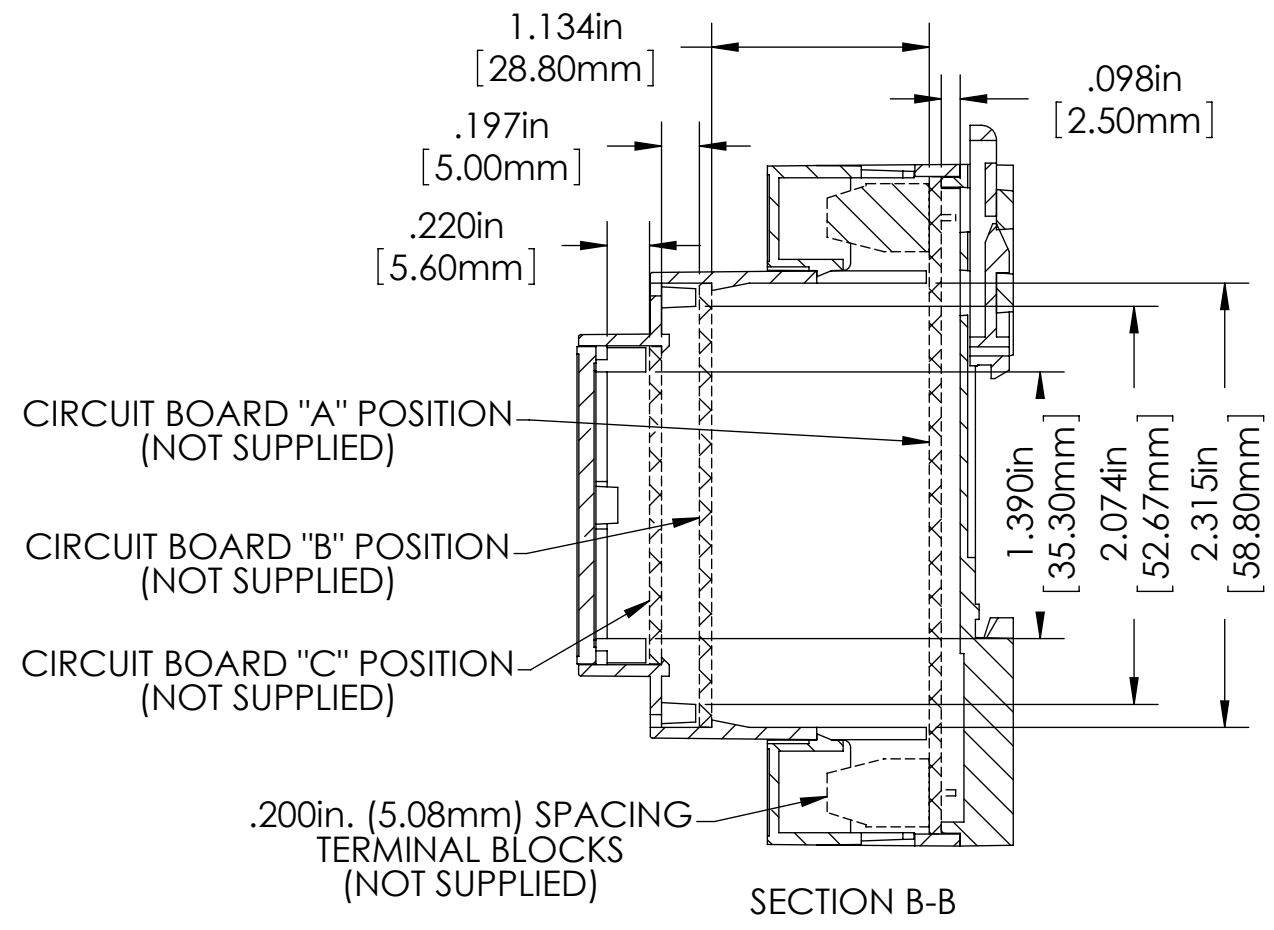
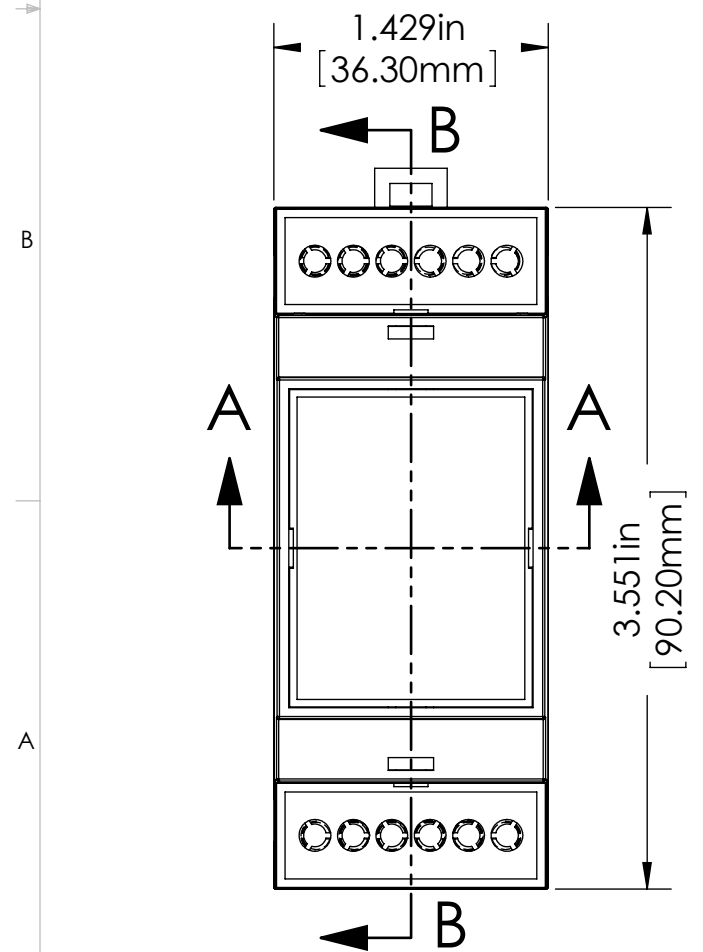
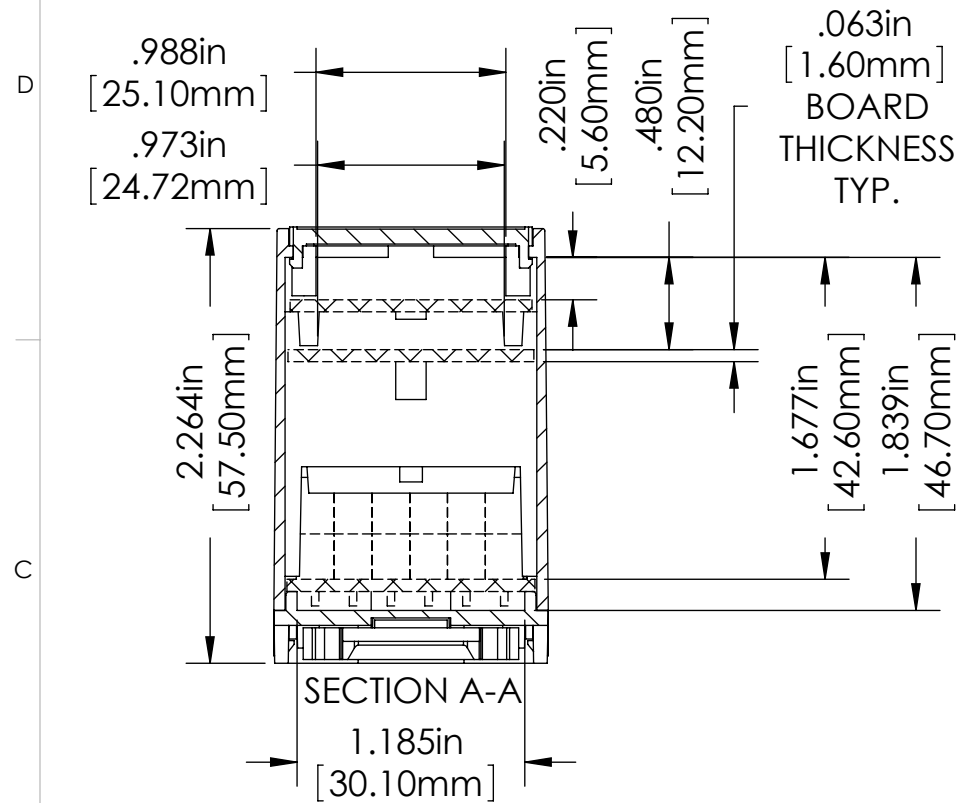


THE INFORMATION CONTAINED IN THIS DRAWING IS THE SOLE PROPERTY OF BUD INDUSTRIES INC. ANY REPRODUCTION IN PART OR WHOLE WITHOUT THE WRITTEN PERMISSION OF BUD INDUSTRIES INC. IS PROHIBITED.

ITEM NO.	DESCRIPTION	MATERIAL	COLOR	QTY.
1	BODY	PC/ABS UL94V-0	GRAY	1
2	BASE	PC/ABS UL94V-0	GRAY	1
3	COVER	PC/ABS UL94V-0	GRAY	1
4	GUARD	PC/ABS UL94V-0	GRAY	2
5	MOUNTING CLIP	NYLON 66	DARK GRAY	1

DWG. NO.	DMB-4770
ISSUE	REVISIONS
(A)	REVISIONS 12-6-10 DAB



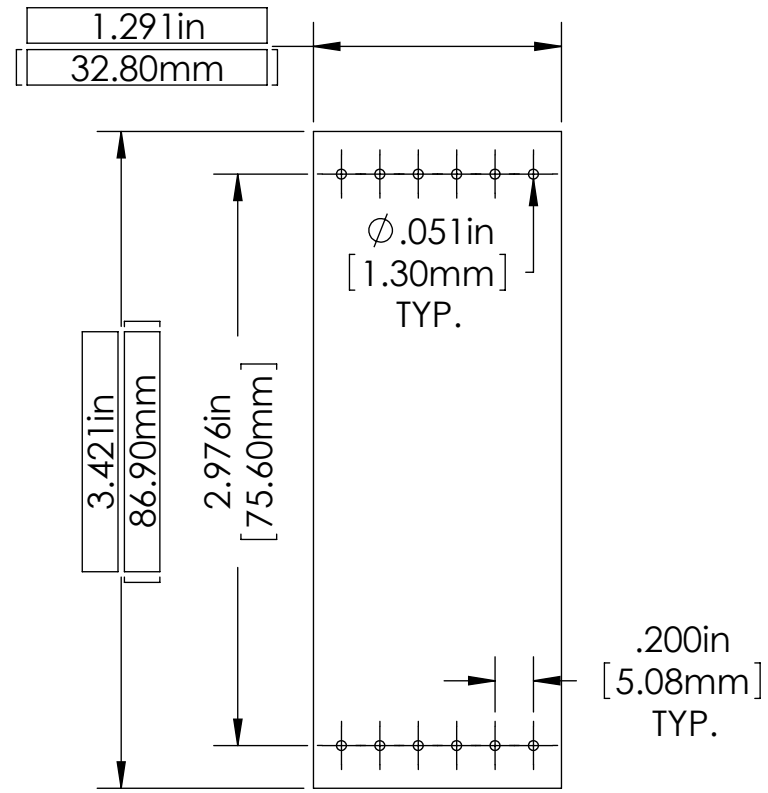
OPTIONAL ACCESSORIES / REPLACEMENT PARTS	PART NUMBER
CLEAR POLYCARBONATE COVER	DMB-4770-CC
INFRA-RED COVER	DMB-4770-IRC
TERMINAL GUARD (PACK OF 2)	DMB-4760-TG
MOUNTING CLIP	DMB-4764-MC

TOLERANCES:		PARTS LIST		BUD INDUSTRIES INC.	
+/- .005 BETWEEN HOLE CENTERS	CAD GENERATED DRAWING, DO NOT MANUALLY UPDATE	APPROVALS	DATE	<b>DIN RAIL MOUNT MULTI-BOARD BOX</b>	
+/- .015 FROM SHEARED EDGE		DRAWN	7/27/10		
+/- .032 FROM A BENT SURFACE		CHECKED			
+/- .062 BETWEEN ASSEMBLED SURFACES		APPROVED			
UNLESS OTHERWISE SPECIFIED MATERIAL	AS NOTED			SIZE DWG. NO.	DMB-4770
FINISH	AS NOTED			SCALE	CAD FILE:
DO NOT SCALE DRAWING				SHEET 1 OF 2	

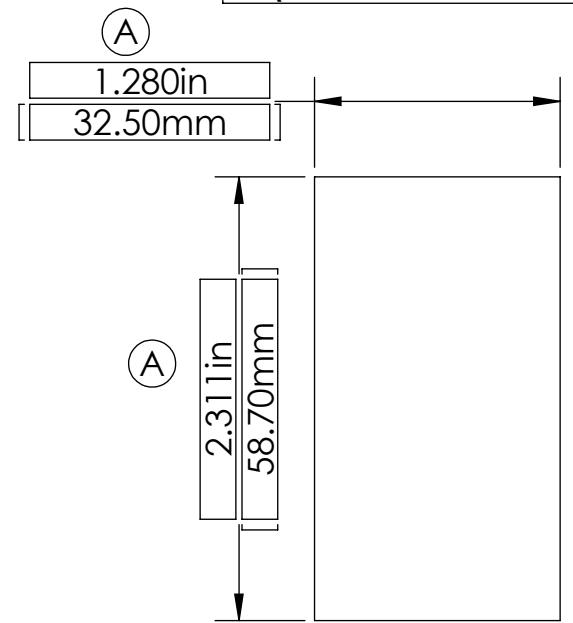
THE INFORMATION CONTAINED IN THIS DRAWING IS THE SOLE PROPERTY OF  
 BUD INDUSTRIES INC. ANY REPRODUCTION IN PART OR WHOLE WITHOUT  
 THE WRITTEN PERMISSION OF BUD INDUSTRIES INC. IS PROHIBITED.

DWG. NO.	DMB-4770
ISSUE	REVISIONS
(A)	SEE SHEET 1

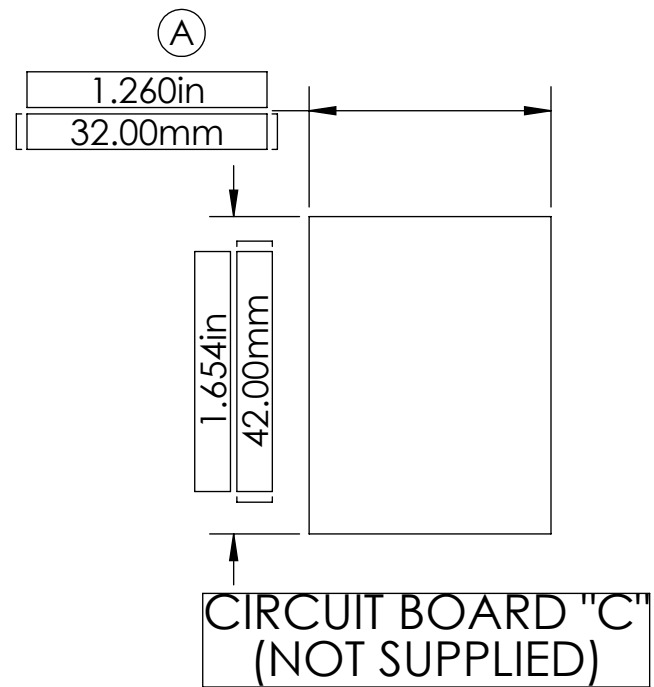
D  
C  
B  
A



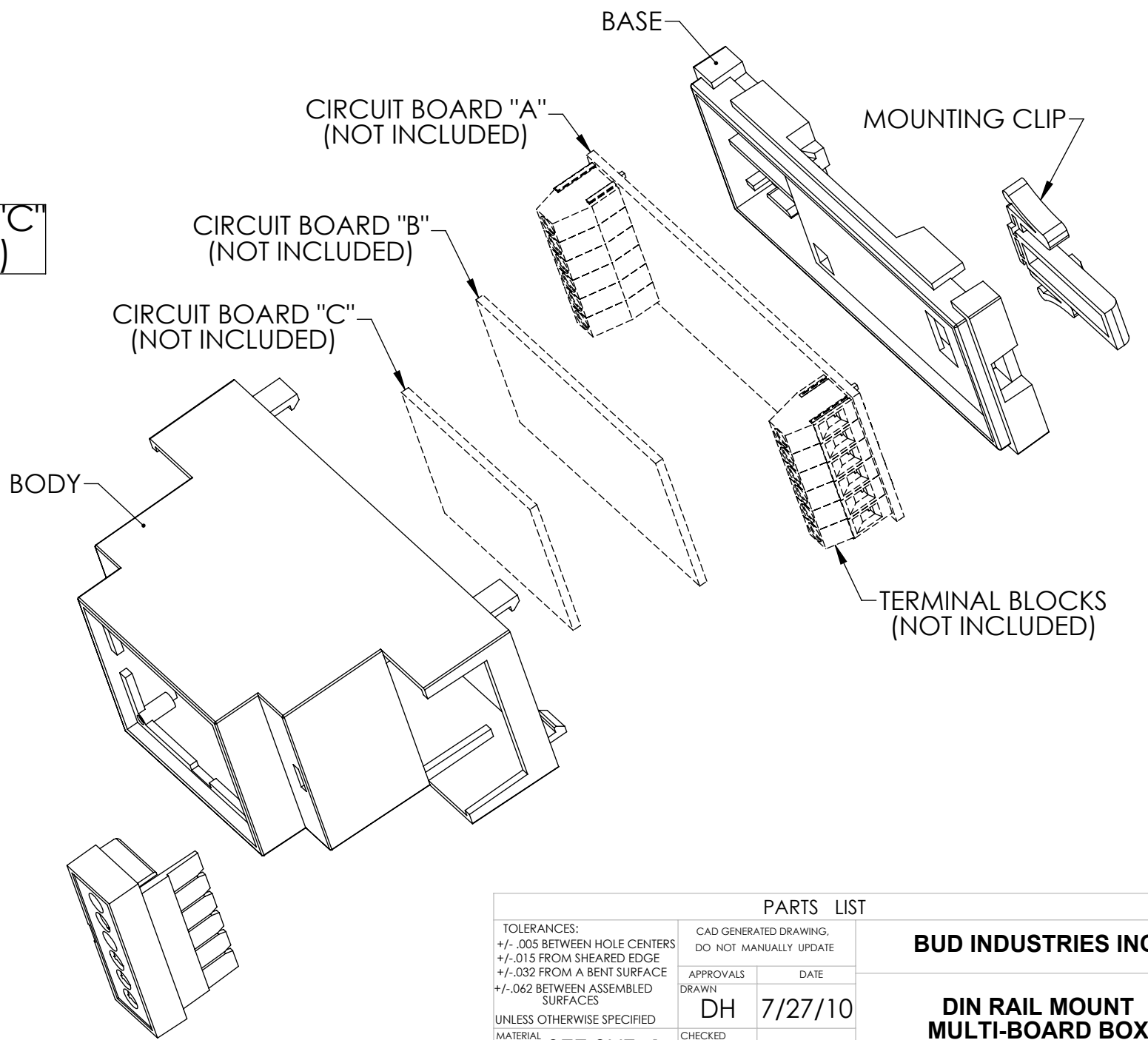
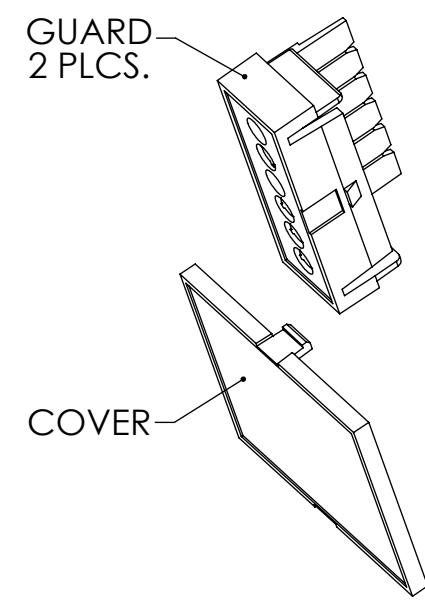
CIRCUIT BOARD "A"  
(NOT SUPPLIED)



CIRCUIT BOARD "B"  
(NOT SUPPLIED)



CIRCUIT BOARD "C"  
(NOT SUPPLIED)



TOLERANCES:		PARTS LIST		
+/- .005 BETWEEN HOLE CENTERS	CAD GENERATED DRAWING, DO NOT MANUALLY UPDATE	<b>BUD INDUSTRIES INC.</b>		
+/- .015 FROM SHEARED EDGE				
+/- .032 FROM A BENT SURFACE		APPROVALS	DATE	
+/- .062 BETWEEN ASSEMBLED SURFACES		DRAWN	DH 7/27/10	
UNLESS OTHERWISE SPECIFIED	CHECKED	<b>DIN RAIL MOUNT MULTI-BOARD BOX</b>		
MATERIAL	SEE SHT. 1			
FINISH	SEE SHT. 1	APPROVED	SIZE DWG. NO.	REV.
DO NOT SCALE DRAWING			<b>B</b> DMB-4770	
			SCALE	CAD FILE:
				SHEET 2 OF 2

8 7 6 5 4 3 2 1