

PART NAME

DIN RAIL MOUNT MULTI-BOARD BOX

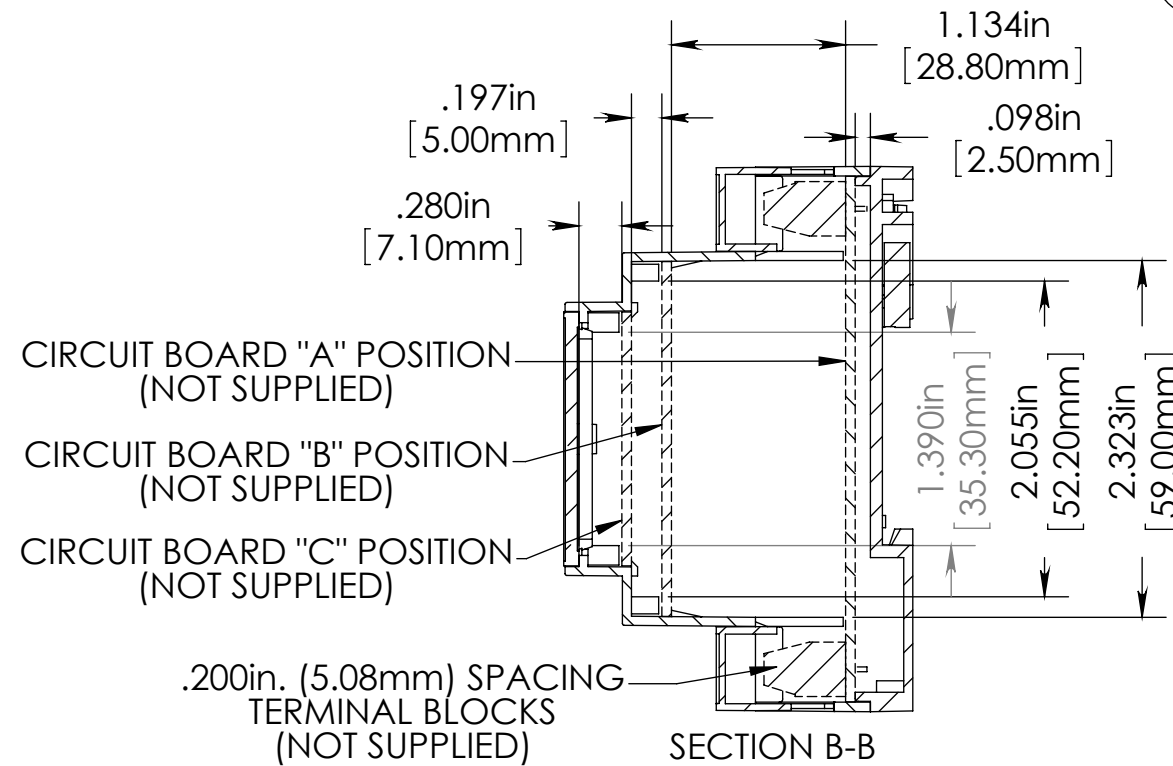
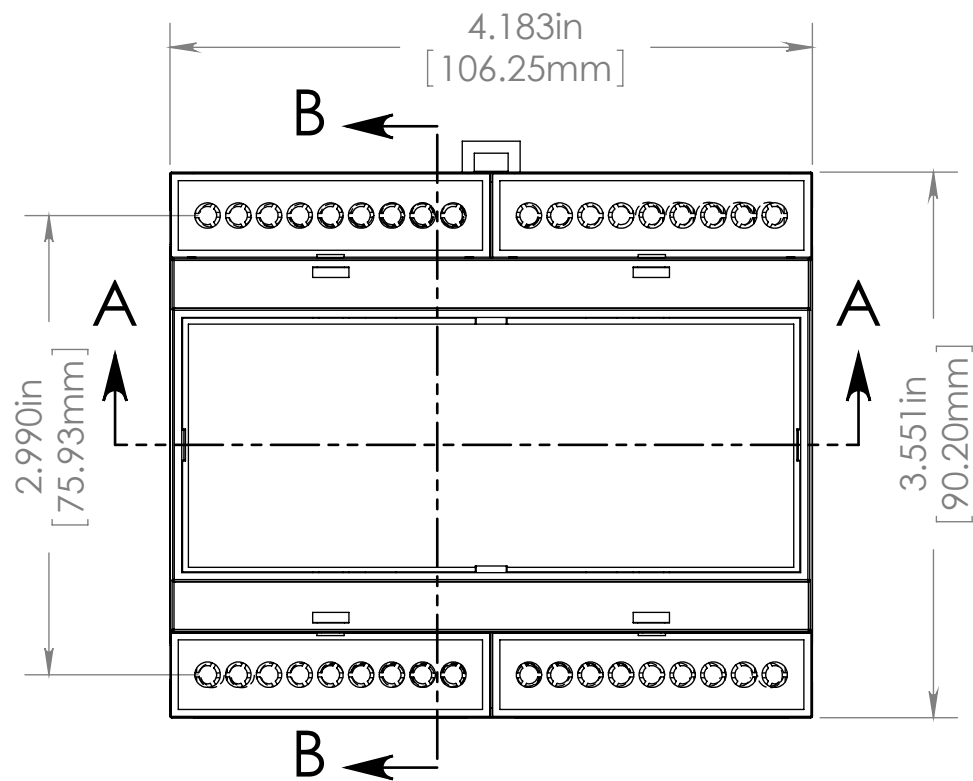
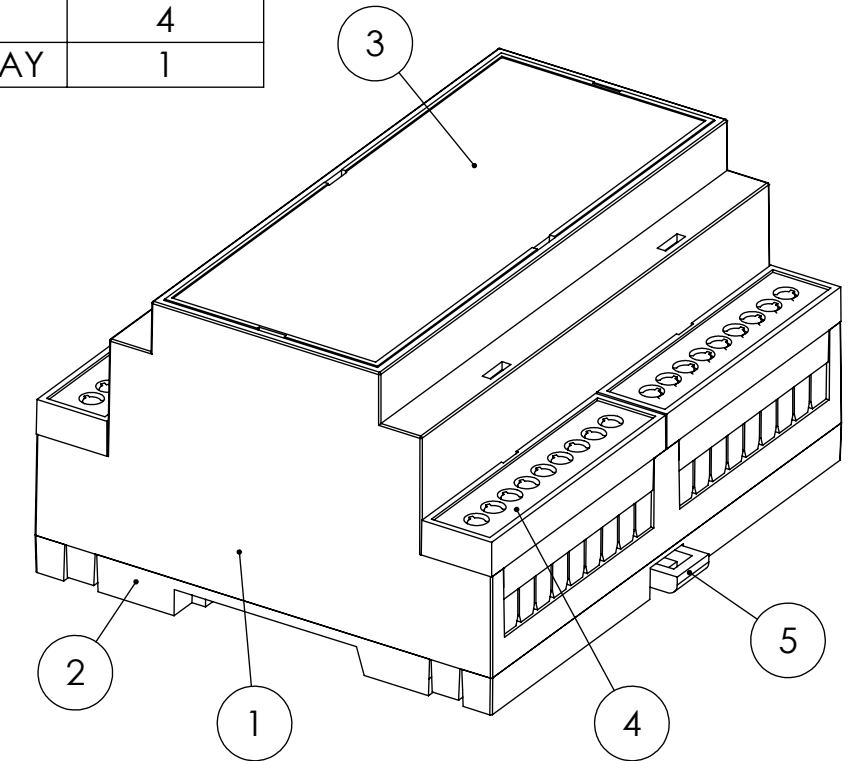
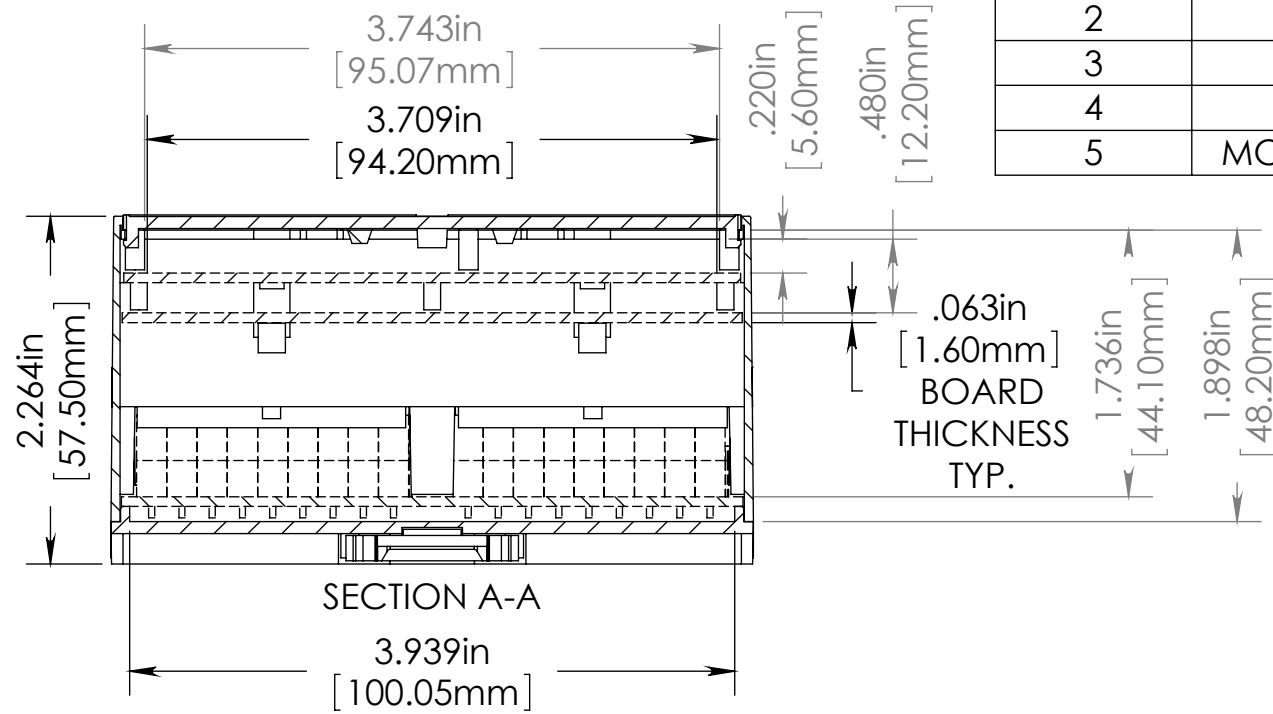
PART No.

DMB-4773

REVISION DATE

11-18-11

ITEM NO.	DISCRIPTION	MATERIAL	COLOR	QTY.
1	BODY	PC/ABS	GRAY	1
2	BASE	PC/ABS	GRAY	1
3	COVER	PC/ABS	GRAY	1
4	GUARD	PC/ABS	GRAY	4
5	MOUNTING CLIP	NYLON 66	DARK GRAY	1



OPTIONAL ACCESSORIES / REPLACEMENT PARTS	PART NUMBER
CLEAR POLYCARBONATE COVER	DMB-4773-CC
INFRA-RED COVER	DMB-4773-IRC
TERMINAL GUARD (PACK OF 2)	DMB-4761-TG
MOUNTING CLIP	DMB-4764-MC

PART NAME

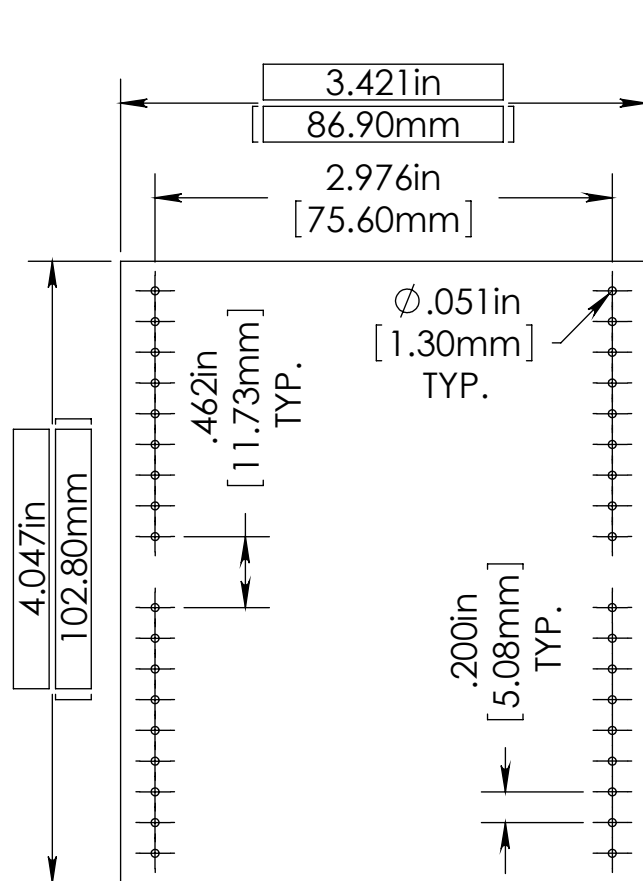
DIN RAIL MOUNT MULTI-BOARD BOX

PART No.

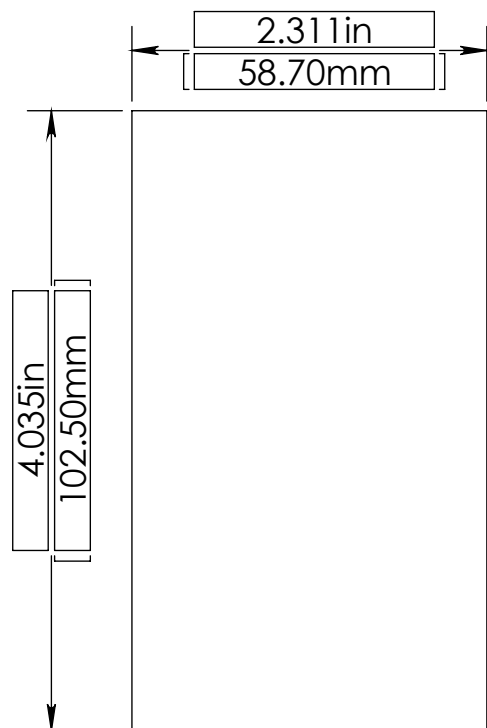
DMB-4773

REVISION DATE

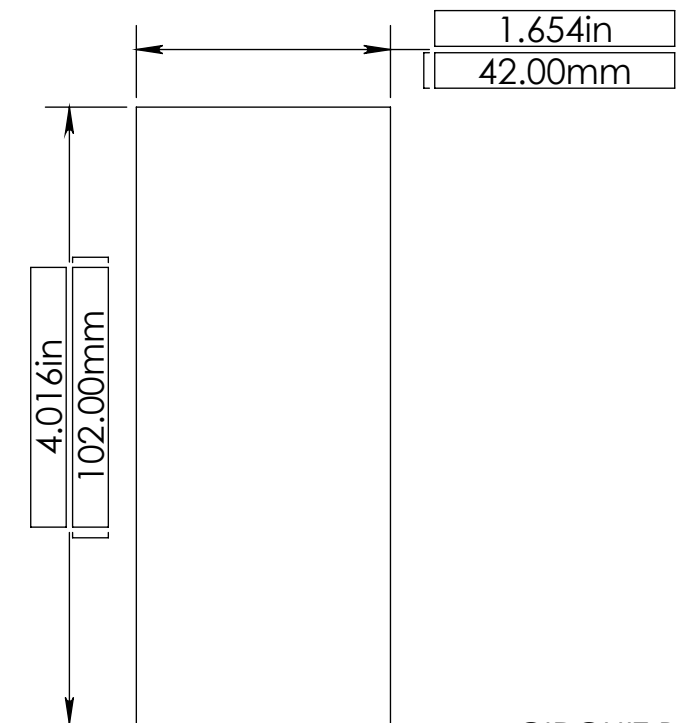
11-18-11



CIRCUIT BOARD "A"  
(NOT SUPPLIED)



CIRCUIT BOARD "B"  
(NOT SUPPLIED)



CIRCUIT BOARD "C"  
(NOT SUPPLIED)

