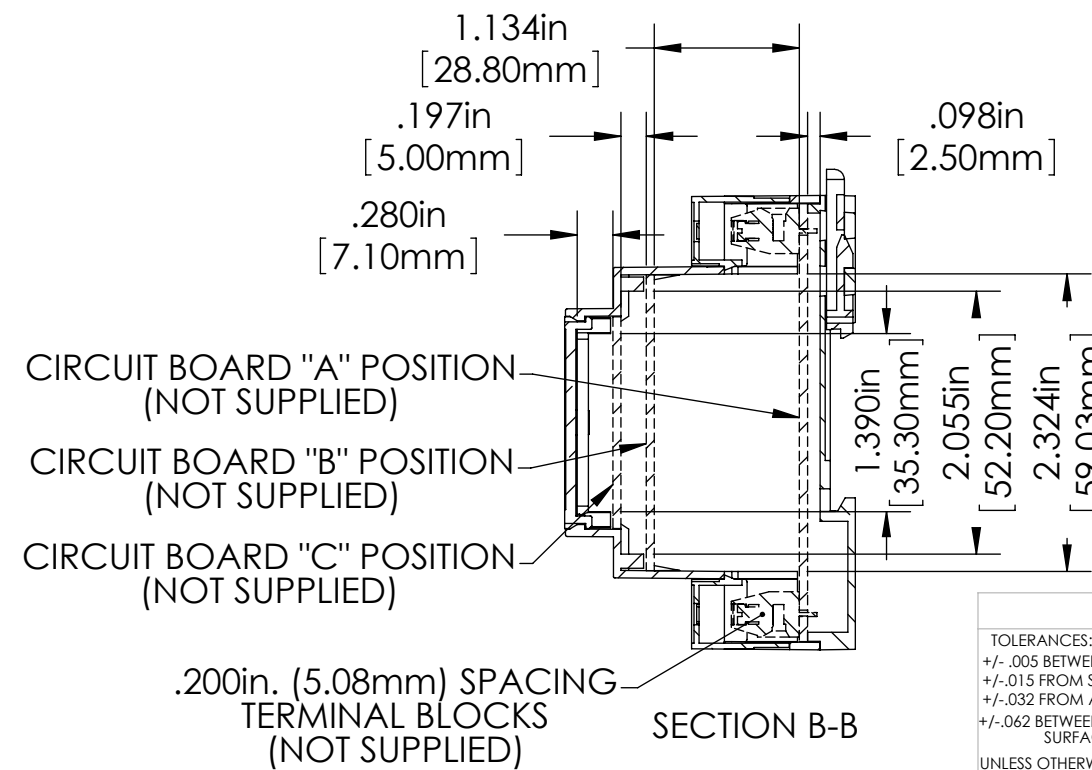
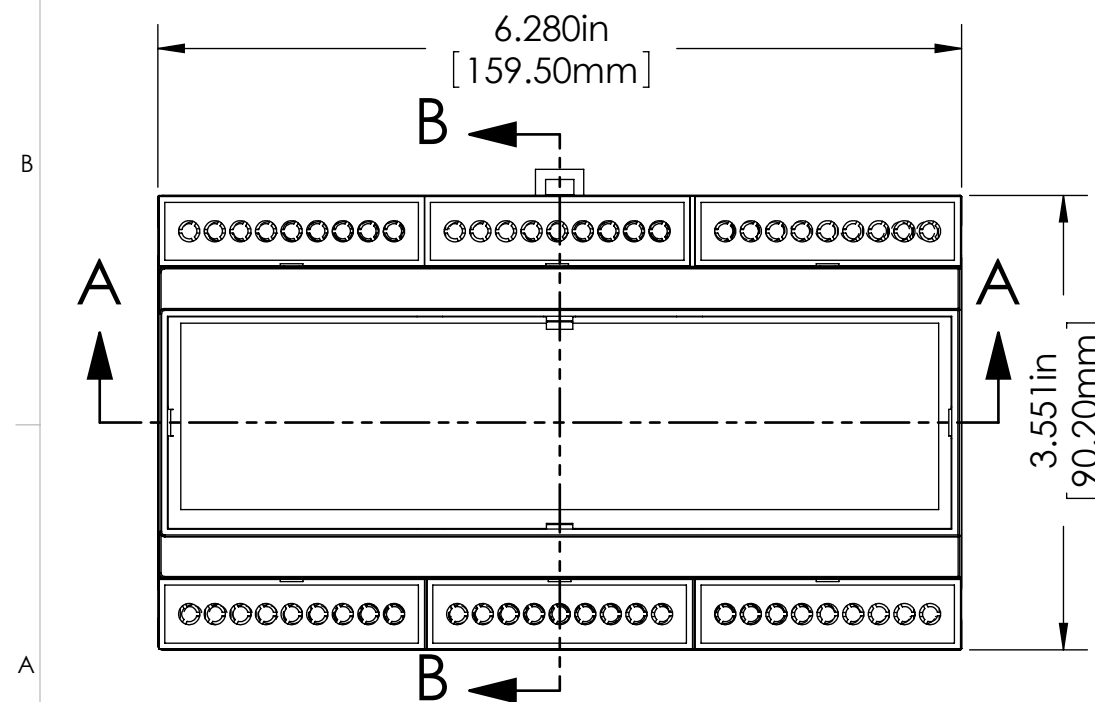
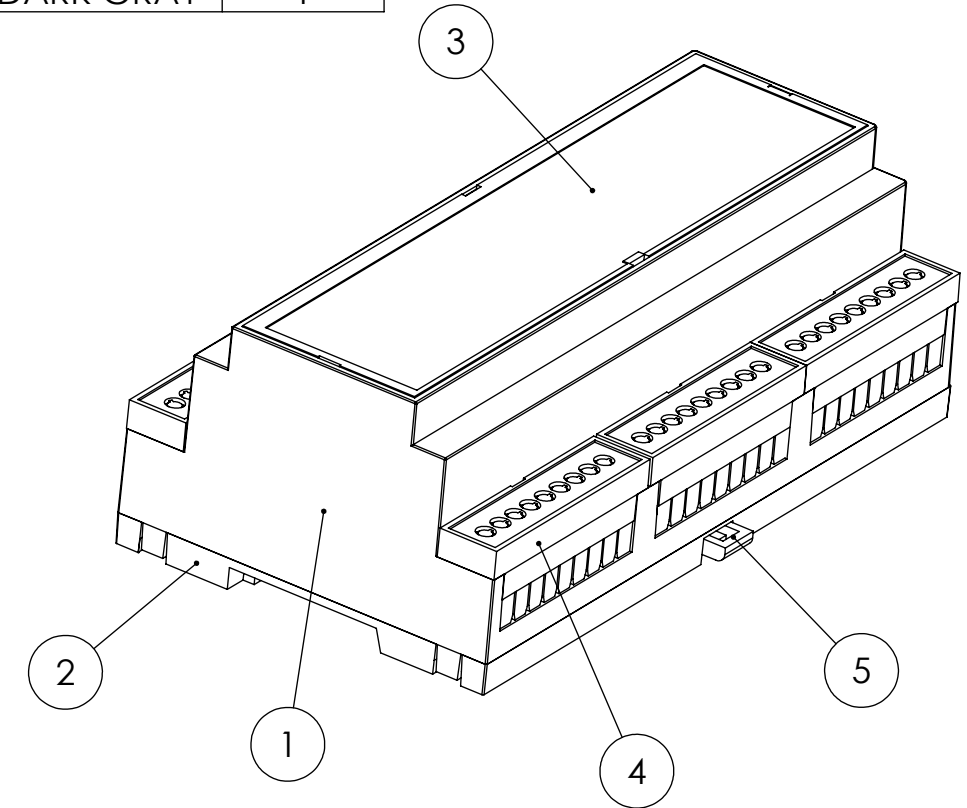
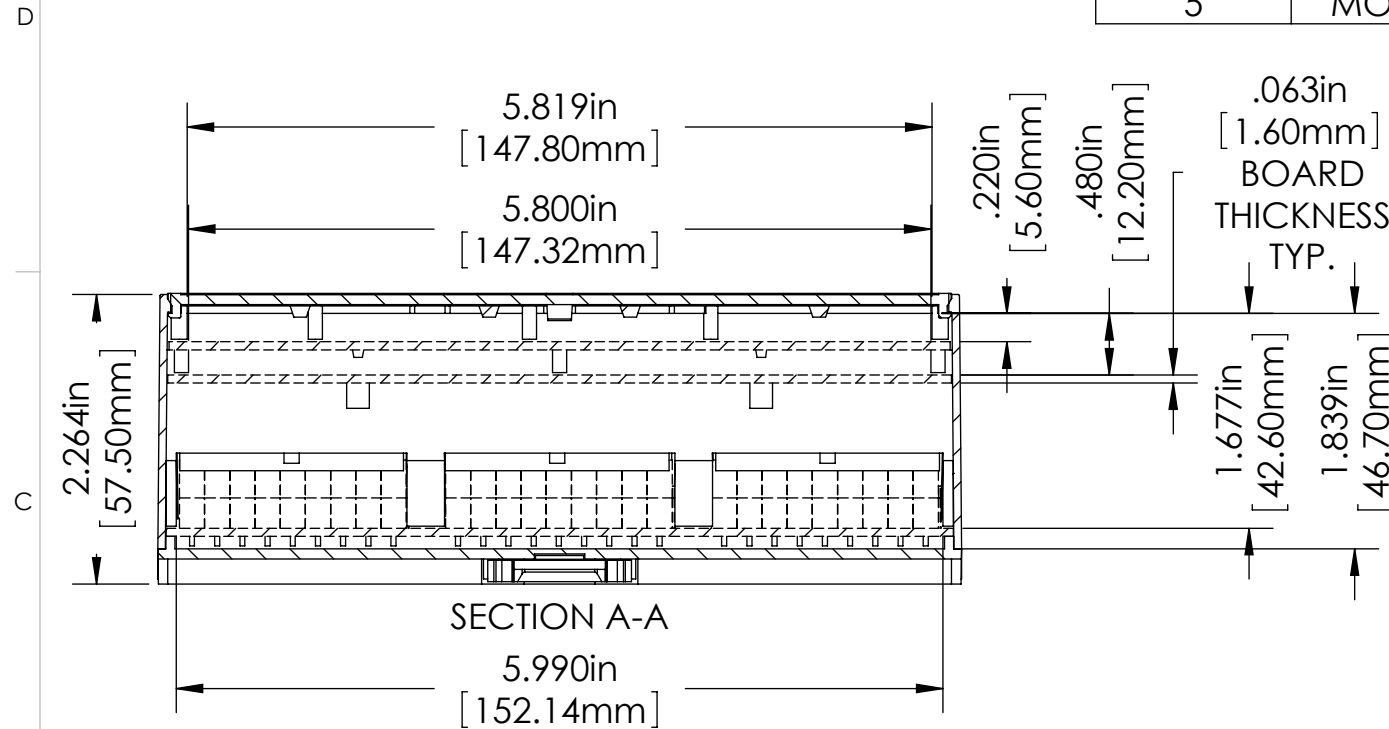


THE INFORMATION CONTAINED IN THIS DRAWING IS THE SOLE PROPERTY OF BUD INDUSTRIES INC. ANY REPRODUCTION IN PART OR WHOLE WITHOUT THE WRITTEN PERMISSION OF BUD INDUSTRIES INC. IS PROHIBITED.

| ITEM NO. | DESCRIPTION   | MATERIAL       | COLOR     | QTY. |
|----------|---------------|----------------|-----------|------|
| 1        | BODY          | PC/ABS UL94V-0 | GRAY      | 1    |
| 2        | BASE          | PC/ABS UL94V-0 | GRAY      | 1    |
| 3        | COVER         | PC/ABS UL94V-0 | GRAY      | 1    |
| 4        | GUARD         | PC/ABS UL94V-0 | GRAY      | 6    |
| 5        | MOUNTING CLIP | NYLON 66       | DARK GRAY | 1    |

|          |                          |
|----------|--------------------------|
| DWG. NO. | DMB-4774                 |
| ISSUE    | REVISIONS                |
| (A)      | REVISIONS<br>12-7-10 DAB |

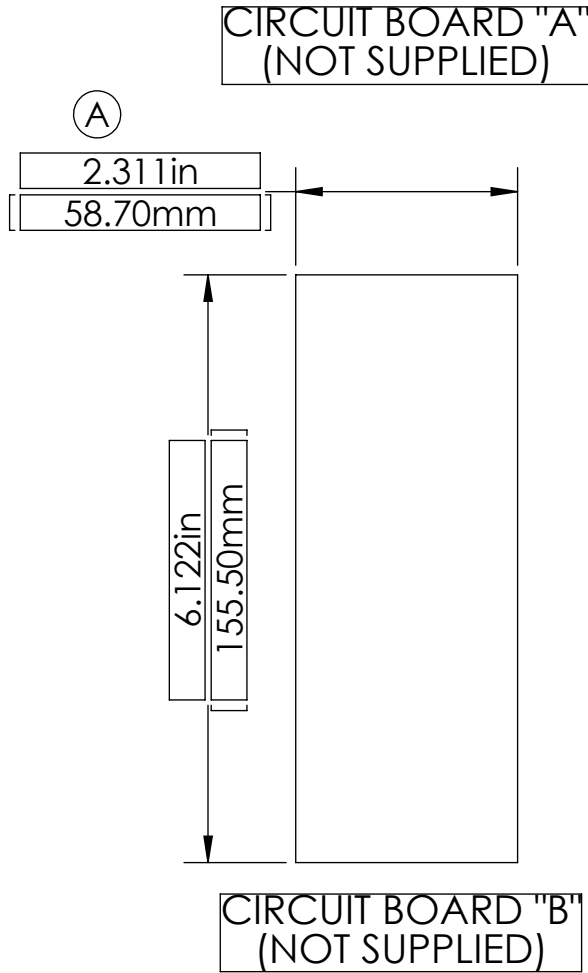
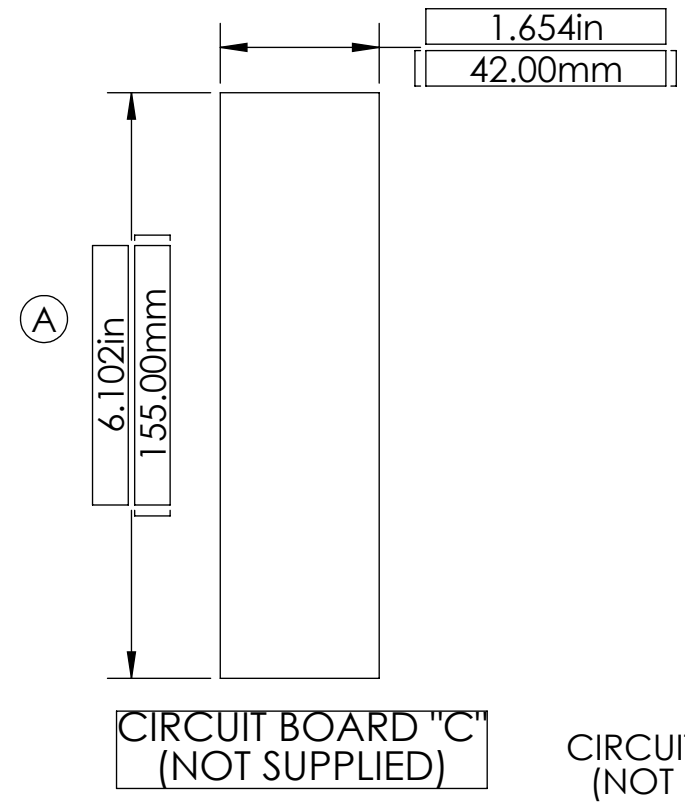
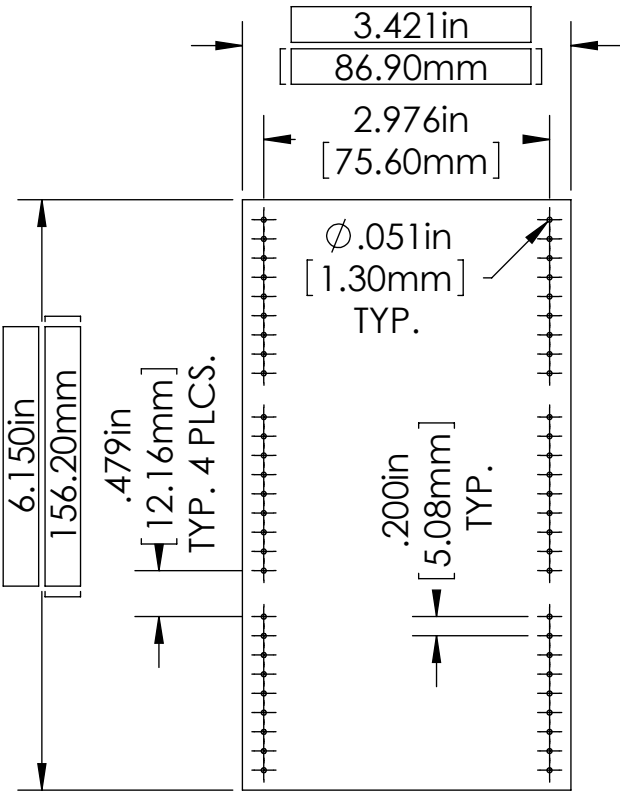
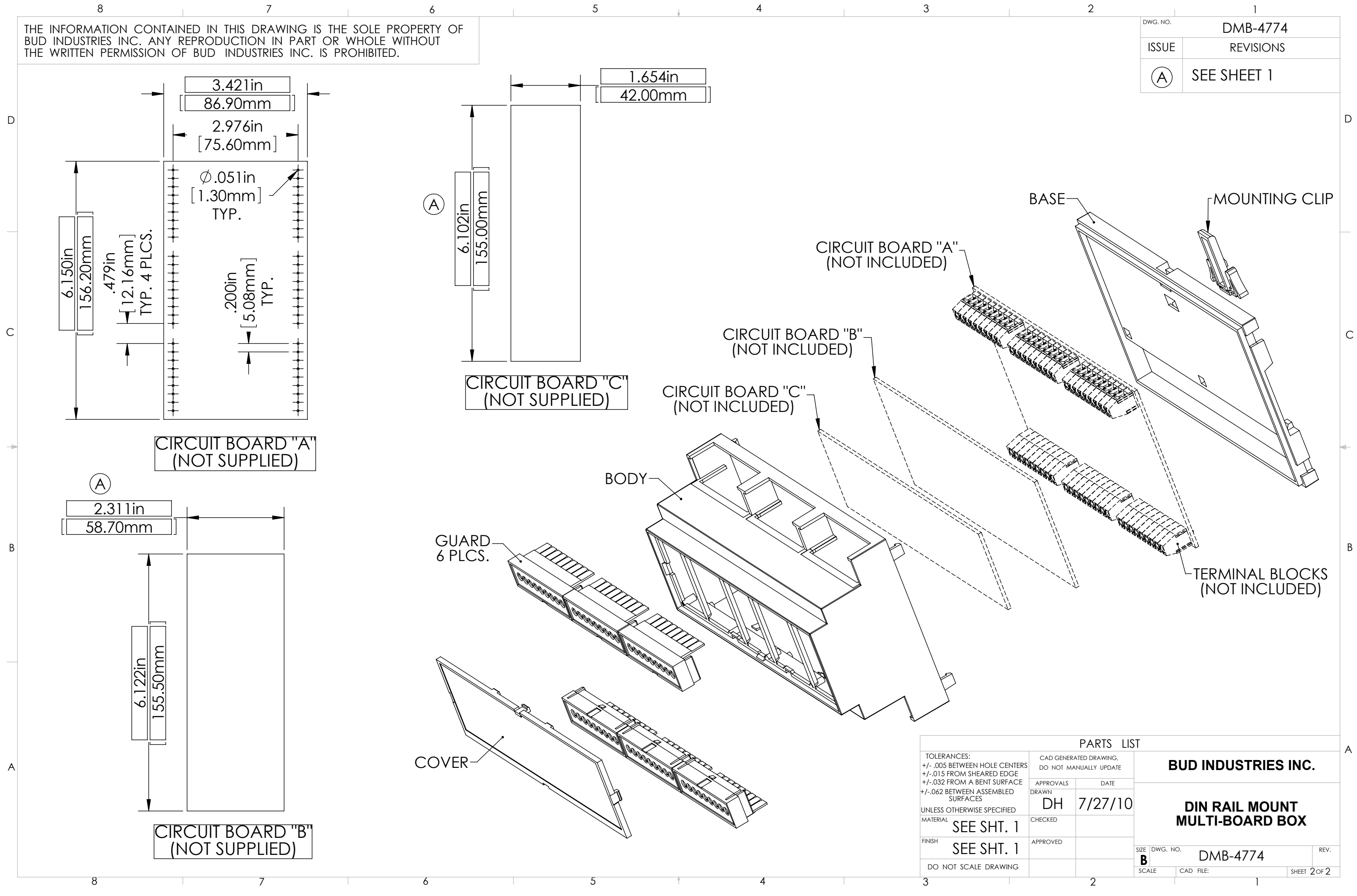


| OPTIONAL ACCESSORIES / REPLACEMENT PARTS | PART NUMBER  |
|--|--------------|
| CLEAR POLYCARBONATE COVER                | DMB-4774-CC  |
| INFRA-RED COVER                          | DMB-4774-IRC |
| TERMINAL GUARD (PACK OF 2)               | DMB-4761-TG  |
| MOUNTING CLIP                            | DMB-4764-MC  |

| TOLERANCES:                   |                                     | PARTS LIST                                    |           | BUD INDUSTRIES INC.          |
|-------------------------------|-------------------------------------|---|-----------|------------------------------|
| +/- .005 BETWEEN HOLE CENTERS | +/- .015 FROM SHEARED EDGE          | CAD GENERATED DRAWING, DO NOT MANUALLY UPDATE | APPROVALS |                              |
| +/- .032 FROM A BENT SURFACE  | +/- .062 BETWEEN ASSEMBLED SURFACES | UNLESS OTHERWISE SPECIFIED MATERIAL           | DRAWN     | 7/27/10                      |
|                               |                                     | FINISH  | CHECKED   |                              |
|                               |                                     | DO NOT SCALE DRAWING                          | APPROVED  |                              |
|                               |                                     |   |           | SIZE DWG. NO. DMB-4774       |
|                               |                                     |   |           | SCALE CAD FILE: SHEET 1 OF 2 |

THE INFORMATION CONTAINED IN THIS DRAWING IS THE SOLE PROPERTY OF  
 BUD INDUSTRIES INC. ANY REPRODUCTION IN PART OR WHOLE WITHOUT  
 THE WRITTEN PERMISSION OF BUD INDUSTRIES INC. IS PROHIBITED.

|          |             |  |
|----------|-------------|--|
| DWG. NO. | DMB-4774    |  |
| ISSUE    | REVISIONS   |  |
| (A)      | SEE SHEET 1 |  |



(A)

(A)

GUARD  
6 PLCS.

COVER

CIRCUIT BOARD "A"  
(NOT INCLUDED)

CIRCUIT BOARD "B"  
(NOT INCLUDED)

CIRCUIT BOARD "C"  
(NOT INCLUDED)

CIRCUIT BOARD "C"  
(NOT SUPPLIED)

BODY

BASE

MOUNTING CLIP

TERMINAL BLOCKS  
(NOT INCLUDED)

| TOLERANCES:                         |   | PARTS LIST |         | BUD INDUSTRIES INC.          |
|-------------------------------------|---|------------|---------|------------------------------|
| +/- .005 BETWEEN HOLE CENTERS       | CAD GENERATED DRAWING, DO NOT MANUALLY UPDATE | APPROVALS  | DATE    |                              |
| +/- .015 FROM SHEARED EDGE          |   | DH         | 7/27/10 |                              |
| +/- .032 FROM A BENT SURFACE        |   | CHECKED    |         |                              |
| +/- .062 BETWEEN ASSEMBLED SURFACES |   | APPROVED   |         |                              |
| UNLESS OTHERWISE SPECIFIED          |   |            |         |                              |
| MATERIAL                            | SEE SHT. 1                                    |            |         | SIZE DWG. NO. DMB-4774       |
| FINISH                              | SEE SHT. 1                                    |            |         | SCALE CAD FILE: SHEET 2 OF 2 |
| DO NOT SCALE DRAWING                |   |            |         |                              |